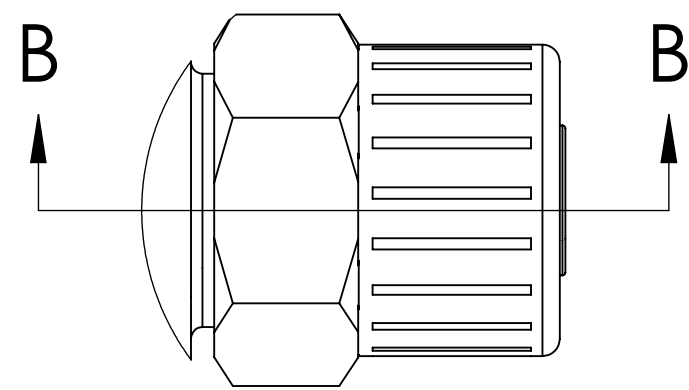
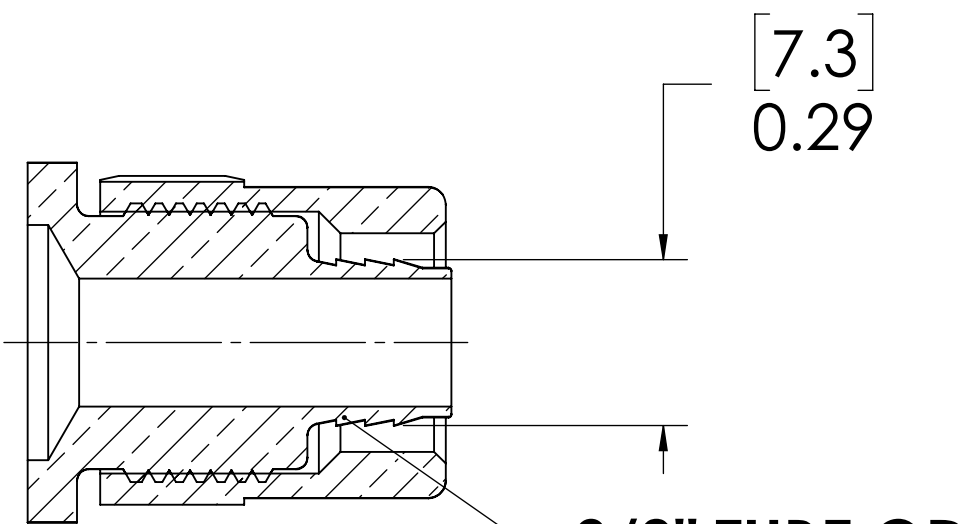


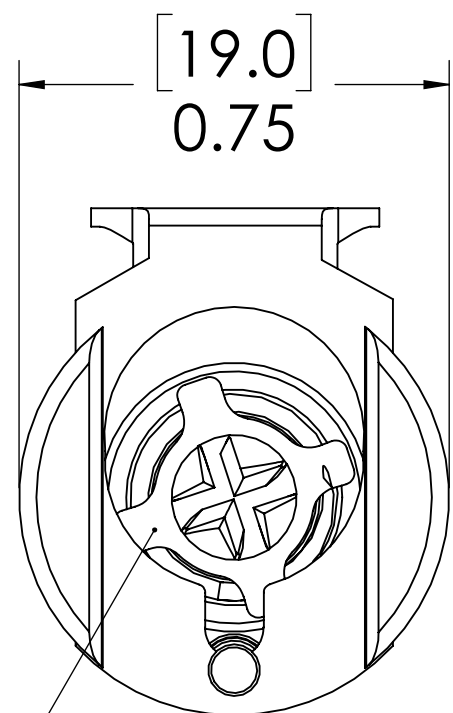
REVISIONS						
SHEET	ZONE	REV.	ECO	DESCRIPTION	DATE	APPROVED
1	ALL	A	50242	PIN, PIN SPRING @ 2017 FORMAT UPDATE	6/28/2018	HRC



DETAIL A

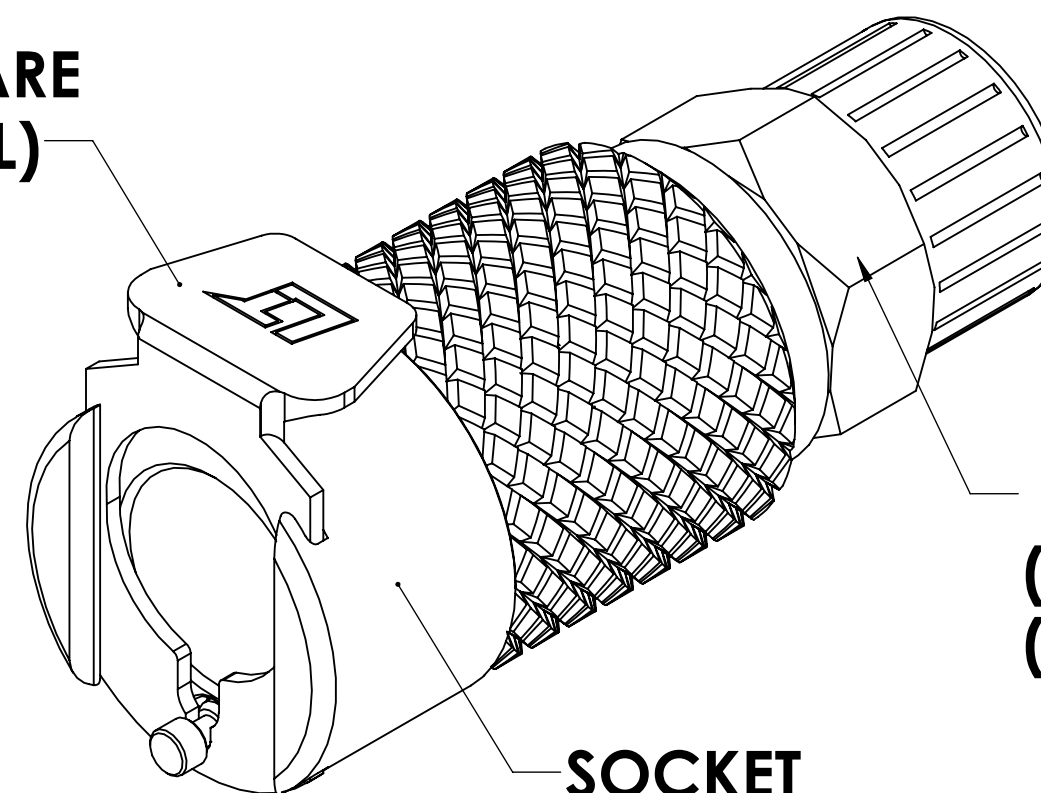


SECTION B-B



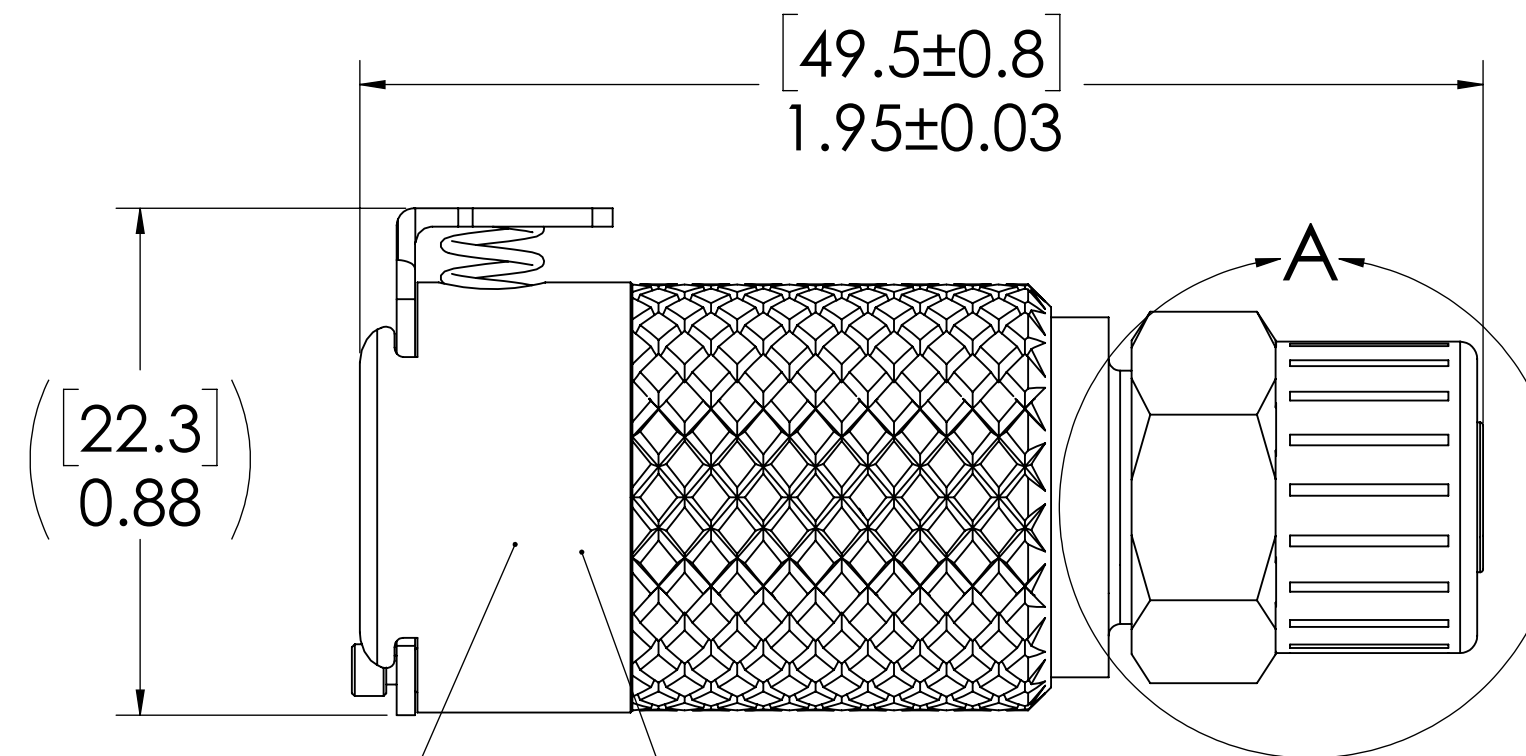
**VALVE,
(ACETAL)**

**LATCH HARDWARE
(STAINLESS STEEL)**



**PTF NUT
(BRASS, NICKEL PLATED)
(PACKAGED SEPARATELY)**

**SOCKET
(BRASS, NICKEL & CHROME PLATED)**



**VALVE SPRING
INTERNAL
(STAINLESS STEEL)**

**VALVE O-RING
INTERNAL
(BUNA-N)**

NOTES:

1. MATERIAL: BRASS
2. FINISH: CHROME
3. O-RING MATERIAL: BUNA-N
4. O-RINGS LUBRICATED WITH FOOD GRADE SILICONE OIL, 350 CST.

FOR REFERENCE ONLY

<small>UNLESS OTHERWISE SPECIFIED: DIMENSIONS ARE IN INCHES TOLERANCES: FRACTIONAL ±1/32 ANGULAR: MACH ±0.5 BEND ±2 ONE PLACE DECIMAL ±0.1 TWO PLACE DECIMAL ±0.01 THREE PLACE DECIMAL ±0.005 TWO PLACE DUAL (mm) [±0.12]</small>	DRAWN	LMP	3/21/2018	
	CHECKED	HRC	3/21/18	
	ENG APPR.	HRC	6/28/18	
	MFG APPR.	BDB	6/28/18	
PRODUCTION	LS	6/28/18		PART NO: 40CBV-SB9-06 DESCRIPTION: LinkTech 40CB Series Panel Mt. Female, Valved, 3/8" PTF, Chrome Brass
<small>PROPRIETARY AND CONFIDENTIAL THE INFORMATION CONTAINED IN THIS DRAWING IS THE SOLE PROPERTY OF LINKTECH LLC. ANY REPRODUCTION OR DISCLOSURE IN PART OR AS A WHOLE WITHOUT THE WRITTEN PERMISSION OF LINKTECH LLC IS STRICTLY PROHIBITED.</small>	COMMENTS:			SIZE DWG. NO. REV C 40CB400052 A
SCALE: NTS WEIGHT:			SHEET 1 OF 1	