

# RH Series

Single Cartridge Filter Housings with Ring Nut Closure



- Designed for industrial and commercial filter applications
- Heavy duty construction for maximum durability
- Various materials of construction for a wide range of process requirements
  - 316L stainless steel
  - Brass head with 304L Stainless Steel body
- Accepts Double Open End (DOE) cartridges (Internal O-ring (213) cartridge optional)
- Available with 1/2", 3/4" and 1" in-line connections for easy installation.
- Ring nut closure for quick cartridge change outs
- Spring loaded knife edge seal provides positive sealing for variable length cartridges
- Supplied with mounting bracket kit and wrench
- Numerous gasket options for compatibility with most fluids

## Applications

Water	Chemicals
Food & Beverage	Electronics
Oil	Inks / Paints / Coatings
Coolants	Pulp & Paper

## Specifications & Operating Parameters

### Maximum Operating Pressure

300 psig (20.7 bar) @ 200°F (93°C)

### Connections

Inlet/Outlet: 1/2", 3/4" or 1" FNPT

*Optional: BSPT, BSPP, RF Flanges, Sanitary Ferrules or Grooved Fittings*

Drain: RHS - 1/8" NPT Plug

RHB - 1/4" NPT Petcock

### Materials of Construction

Head / Shell: RHS 316L SS / 316L SS

RHB Brass / 304L Stainless Steel

Drain: RHS - 316L SS Plug

RHB - Brass Petcock

### Gaskets

Buna N (FDA Grade)

*Optional: EPR, Silicone, Viton*

### Cartridge Type

DOE Cartridges

*Optional: Internal O-ring (213) SOE*

### Custom Options

- Gauge Ports

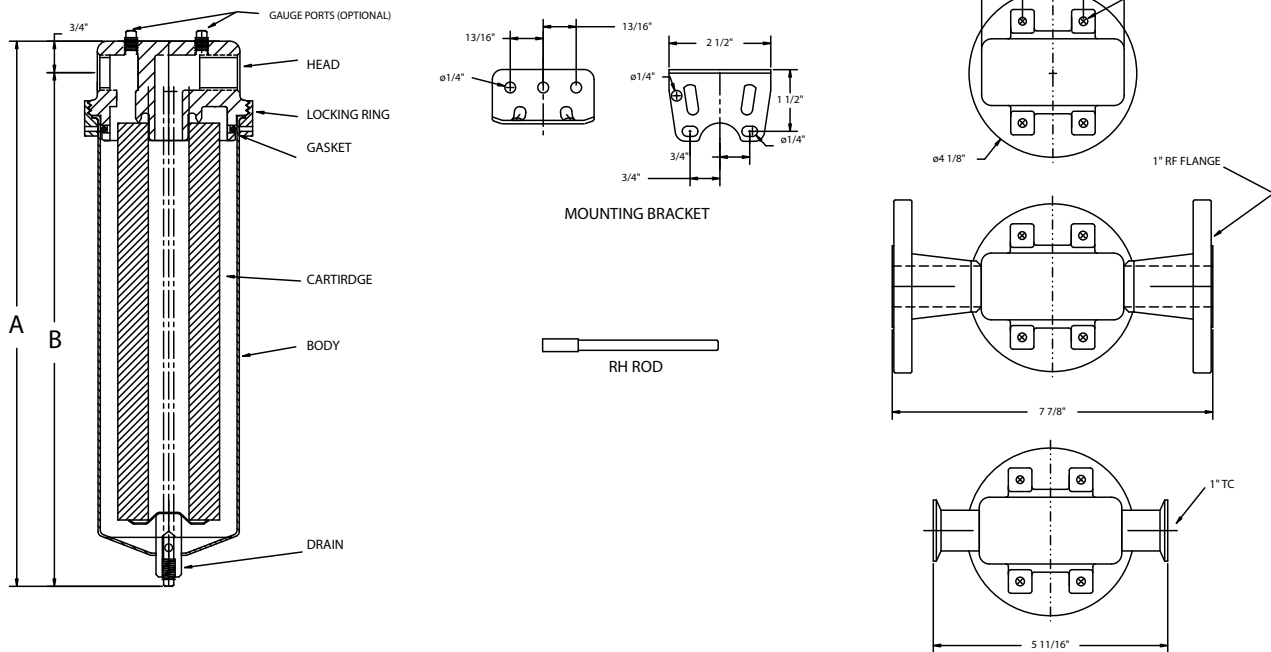
- Vent Port with Vent Screw

*See Ordering Guide for complete selection of options*

MODEL	QUANTITY (LENGTH) OF CARTRIDGES	MAXIMUM FLOW RATE* GPM (LPM)	MAXIMUM DIAMETER CARTRIDGE	DRAIN SIZE	DIMENSIONS	
					A	B
RH-78	1 (9 3/4 - 10")	7 (26.5)	2 3/4"	1/8"	13 9/16" (34.4 cm)	12 3/4" (32.4 cm)
RH-80	1 (19 1/2 - 20")	14 (53)	2 3/4"	1/8"	23 9/16" (59.8 cm)	22 3/4" (57.8 cm)
RH-90	1 (30")	21(79.5)	2 3/4"	1/8"	33 9/16" (85.2 cm)	32 3/4" (83.2 cm)

\* Based upon 7 gpm (26.5 lpm) per 10" cartridge length with a 25 micron wound cartridge at 2 PSID clean and a viscosity of 1 cps. Flow rates are guidelines only. Actual flow rates are based upon fluid, viscosity, cartridge type, micron ratings and other factors

## Dimensions



## Ordering Guide (Example: RHS-786A-E)

RH	S	-	78	6A	-	-	B
MODEL	MATERIAL		CARTRIDGE LENGTH	PIPE SIZE FNPT		OPTIONS	GASKET
RH	S = 316L Stainless Steel with Stainless Steel Plug B = Brass Head with 304L Stainless Steel Sump and Nickel Plated Brass Ring Nut and Brass Petcock		78 = 9 3/4-10" 80 = 19 1/2-20" 90 = 29 1/2-30"	4 = 1/2" 6 = 3/4" 8 = 1"		Blank = None BSP = BSP thread 1F = 1" Flange 1TC = 1" Ferrules GP4* = 1/4" Gauge Ports Vent* = Vent Screw 213 = Internal O-ring (213) Head	B = Buna N (Standard) E = EPR S = Silicone V = Viton

\* When specifying vents or gauge ports, the location must be identified as I= Inlet, O = Outlet and I/O = Inlet and Outlet (Example: GP4I/O)

## Customization

Housings may be customized to meet your precise requirements. Contact Shelco's technical support staff or your distributor for more information.



### Shelco Filters

100 Bradley Street  
Middletown, CT 06457 USA

Tel: 800-543-5843 / Fax: 860-854-6120 / E-mail: info@shelco.com

MicroSentry™, MicroVantage™, Shelco Filters® and the Shelco logo are registered trademarks of the Tinny Corporation. Shelco Filters is a division of the Tinny Corporation.