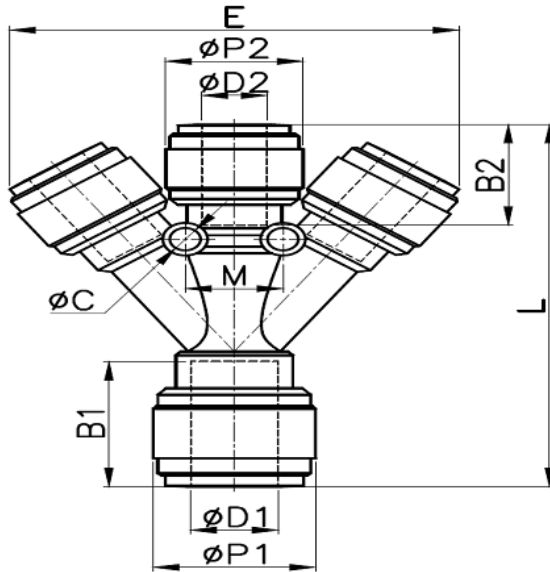


Three-Way Divider



Pressure Ratings			
	< 5/16"	3/8"	1/2"
33 °F	290 psi	232 psi	203 psi
68 °F	290 psi	232 psi	203 psi
150 °F	232 psi	203 psi	116 psi

Model	ØD1	ØD2	B1(TUBE DEEP)	B2(TUBE DEEP)	ØP1	ØP2	L	E	M	ØC	WEIGHT(g)
ATHWD86	1/2	3/8	0.988	0.795	0.929	0.787	2.858	2.575	0.559	0.177	27.3
ATHWD88	1/2	1/2	0.988	0.988	0.929	0.929	3.264	3.161	0.654	0.177	37.4