



AMTROL INC.

® West Warwick, Rhode Island 02893

INSTALLATION, OPERATION & MAINTENANCE
INSTRUCTIONS D'INSTALLATION, D'OPÉRATION ET DE MAINTENANCE
INSTRUCCIONES DE INSTALACIÓN, OPERACIÓN Y MANTENIMIENTO

Well-X-Trol® Professional
Pre-pressurized Water System Well Tanks
Réservoirs de puit de système d'eau à pressurisation initiale
Tanques hidroneumáticos prepresurizados para sistemas de agua



WARNING: REVIEW ALL GENERAL SAFETY AND PRODUCT INFORMATION PRIOR TO INSTALLATION.

AVERTISSEMENT : EXAMINER TOUTES LES INFORMATIONS CONCERNANT LA SÉCURITÉ ET LE PRODUIT AVANT SON INSTALLATION.

ADVERTENCIA: ANTES DE INSTALARLO, REPASE LA INFORMACIÓN GENERAL DE SEGURIDAD Y L INFORMACIÓN ACERCA DEL PRODUCTO.

Your WELL-X-TROL® Professional well tank by AMTROL® has been carefully assembled and factory tested. To enjoy the full service your WELL-X-TROL® well tank can provide, you should read and follow all of the instructions in this manual. When all installation steps have been completed, make sure you also follow the enclosed post-installation and start-up checklists before using your AMTROL product. You should also read carefully the sections describing proper product maintenance, and follow the required procedures as you use your WELL-X-TROL®. **Return this booklet to its original envelope, and keep it with the WELL-X-TROL®.** This manual may become out-of-date by later amendments. Check our web site, www.amtrol.com, or ask your AMTROL supplier for any updates relating to your product. **This product comes with a limited seven (7) year warranty, see AMTROL Limited Warranty for details.**

Our goal is to ensure you are fully satisfied with your new well tank. If any questions or concerns arise, call Technical Service at 401-535-1216.

Ce réservoir de puits WELL-X-TROL® Professional d'Amtrol a été assemblé et testé à l'usine avec soin. Pour utiliser toute la fonctionnalité que peut offrir le réservoir WELL-X-TROL®, veuillez lire et suivre toutes les instructions de ce manuel. Après avoir effectué toutes les étapes de l'installation, il faut s'assurer de suivre aussi les listes ci-jointes de contrôle après installation et de démarrage avant d'utiliser ce produit AMTROL. Lire aussi avec soin les sections décrivant la maintenance appropriée à ce produit et suivre les procédures requises pour l'utilisation du WELL-X-TROL®. Remettre en place ce livret dans sa pochette d'origine et le conserver avec le WELL-X-TROL®. Ce manuel peut être l'objet de révisions ultérieures. Consulter notre site Internet à www.amtrol.com ou demander au fournisseur AMTROL les mises à jour concernant ce produit.

Notre but est d'assurer une entière satisfaction pour ce nouveau WELL-X-TROL®. Pour toute question ou problème, contacter le Service technique au 401-535-1216.

Su tanque hidroneumático WELL-X-TROL® Professional fabricado por AMTROL ha sido cuidadosamente ensamblado y probado en fábrica. Para que pueda disfrutar por completo el servicio que su tanque hidroneumático WELL-X-TROL® le puede proveer, le recomendamos que lea y siga todas las instrucciones de este manual. Cuando complete todos los pasos de instalación, y antes de usar su producto AMTROL, cerciórese de seguir las listas de verificación posinstalación y de puesta en marcha. Asimismo, le recomendamos que lea cuidadosamente las secciones que describen el mantenimiento apropiado del producto y que, al usar su WELL-X-TROL®, siga los procedimientos requeridos. Vuelva a colocar este folleto en su sobre original y téngalo junto a su WELL-X-TROL®. Este manual puede quedar desactualizado por enmiendas posteriores, por lo que le recomendamos que verifique en nuestro sitio de Web, www.amtrol.com, o que le pregunte a su proveedor de productos AMTROL, si hay alguna actualización para su producto.

Nuestra meta es asegurar su completa satisfacción con su nuevo WELL-X-TROL®. Si tiene alguna pregunta o inquietud, llame al Servicio Técnico al 401-535-1216.

THIS IS THE SAFETY ALERT SYMBOL. IT IS USED TO ALERT YOU TO POTENTIAL PERSONAL INJURY AND OTHER HAZARDS. OBEY ALL SAFETY MESSAGES THAT FOLLOW THIS SYMBOL TO REDUCE THE RISK OF POSSIBLE INJURY AS WELL AS PROPERTY DAMAGE.

VOICI LE SYMBOLE D'ALERTE DE SÉCURITÉ. IL EST UTILISÉ POUR SIGNALER LES RISQUES D'ACCIDENT OU AUTRES DANGERS. IL FAUT RESPECTER TOUS LES MESSAGES DE SÉCURITÉ QUI SUIVENT CE SYMBOLE AFIN DE RÉDUIRE LES RISQUES POTENTIELS DE BLESSURE OU DE DOMMAGE MATÉRIEL.



ESTE ES EL SÍMBOLO DE ALERTA DE SEGURIDAD. SE USA PARA ALERTARLE DE POSIBLES LESIONES Y OTROS PELIGROS. PARA REDUCIR EL RIESGO LESIONES, ASÍ COMO DE DAÑOS MATERIALES, OBEDEZCA TODOS LOS MENSAJES DE SEGURIDAD QUE ACOMPAÑAN A ESTE SÍMBOLO.

1. GENERAL SAFETY INFORMATION

⚠ WARNING THIS TANK, LIKE MOST TANKS UNDER PRESSURE, WILL OVER TIME CORRODE OR FAIL AND/OR MAY BURST AND/OR LEAK OR FLOOD (AND IN RARE CASES EXPLODE) WHICH CAN CAUSE SERIOUS OR FATAL PERSONAL INJURY AND PROPERTY DAMAGE. TO MINIMIZE RISK, A LICENSED PROFESSIONAL MUST INSTALL AND PERIODICALLY INSPECT AND SERVICE THE UNIT. A DRIP PAN, CONNECTED TO AN ADEQUATE DRAIN MUST BE INSTALLED IF LEAKING OR FLOODING CAN CAUSE PROPERTY DAMAGE.

⚠ WARNING READ CAREFULLY THE PRODUCT INSTALLATION, OPERATING AND MAINTENANCE MANUAL. FAILURE TO FOLLOW THE INSTRUCTIONS AND WARNINGS IN THE MANUAL MAY RESULT IN SERIOUS OR FATAL INJURY AND/OR PROPERTY DAMAGE, AND WILL VOID THE PRODUCT WARRANTY. THIS PRODUCT MUST BE INSTALLED BY A QUALIFIED PROFESSIONAL. FOLLOW ALL APPLICABLE LOCAL AND STATE CODES AND REGULATIONS, IN THE ABSENCE OF SUCH CODES, FOLLOW THE CURRENT EDITIONS OF THE NATIONAL PLUMBING CODE AND NATIONAL ELECTRIC CODE, AS APPLICABLE.

⚠ CAUTION AS IN ALL PLUMBING PRODUCTS AND WATER STORAGE VESSELS, BACTERIA CAN GROW IN YOUR WELL-X-TROL®, ESPECIALLY DURING TIMES OF NON-USE. CONSULT YOUR LOCAL PLUMBING OFFICIAL REGARDING ANY STEPS YOU MAY WISH TO TAKE TO SAFELY DISINFECT YOUR HOME'S PLUMBING SYSTEM.

⚠ WARNING FOLLOW ALL OF THE INSTRUCTIONS AND RECOMMENDATIONS CONTAINED IN THIS MANUAL, AND THE FOLLOWING ADDITIONAL SPECIFIC WARNINGS. FAILURE TO DO SO IS UNSAFE AND CAN CAUSE SERIOUS EXPLOSION, SERIOUS OR FATAL PERSONAL INJURY AND PROPERTY DAMAGE.

⚠ WARNING EXPLOSION OR RUPTURE HAZARD. THE WELL-X-TROL MUST BE OPERATED SO THAT THE MAXIMUM SYSTEM PRESSURE DOES NOT EXCEED 150 PSI OR LOCAL CODE REQUIREMENTS WHICHEVER IS LESS.

⚠ WARNING A RELIEF VALVE WITH A MAXIMUM RELIEF PRESSURE OF 125 PSI MUST BE INSTALLED IN THE SYSTEM. THE RELIEF VALVE MUST BE CAPABLE OF DISCHARGING THE RATED CAPACITY OF THE PUMP AT THE MAXIMUM SYSTEM PRESSURE.

⚠ WARNING FAILURE TO UTILIZE A PROPERLY SIZED WELL-X-TROL (BASED ON THE FOLLOWING SIZING INSTRUCTIONS) WILL RESULT IN EXCESSIVE STRAIN ON THE PUMP AND MAY ULTIMATELY LEAD TO PRODUCT FAILURE, LEAKING OR FLOODING AND PROPERTY DAMAGE.

⚠ WARNING DANGER! EXPLOSION HAZARD. IF YOU ADJUST THE PRE-CHARGE PRESSURE OR ADD PRESSURE TO A TANK THAT IS CORRODED OR DAMAGED OR WITH DIMINISHED INTEGRITY THE TANK CAN BURST OR EXPLODE, POSSIBLY CAUSING SERIOUS OR FATAL PERSONAL INJURY AND/OR PROPERTY DAMAGE.

- ONLY ADJUST THE PRE-CHARGE AS DESCRIBED IN THIS MANUAL WHEN THE TANK IS NEW OR WHEN THE INTEGRITY OF THE TANK AND LACK OF INTERNAL OR EXTERNAL CORROSION IS CONFIRMED.
- ONLY QUALIFIED PROFESSIONALS SHOULD CHECK, ADJUST OR RE-CHARGE THE PRE-CHARGE OF TANKS.

⚠ WARNING DANGER! EXPLOSION HAZARD. WHEN THE WELL-X-TROL HAS BEEN IN SERVICE AND A CHANGE TO A HIGHER PRE-CHARGE PRESSURE IS NECESSARY DUE TO A REQUIRED CHANGE IN THE PRESSURE SWITCH SETTING, FAILURE TO FOLLOW INSTRUCTIONS BELOW CAN CAUSE A RUPTURE OR EXPLOSION, POSSIBLY CAUSING SERIOUS OR FATAL PERSONAL INJURY, AND/OR PROPERTY DAMAGE. DO NOT ADJUST OR ADD PRESSURE IF THERE HAS BEEN A LOSS OF AIR. DO NOT ADJUST THE PRE-CHARGE PRESSURE IF THERE IS VISIBLE EXTERIOR CORROSION. DO NOT ADJUST THE PRE-CHARGE PRESSURE IF THERE HAS BEEN A REDUCTION OF THE PUMP CYCLE TIME OR THE PRE-CHARGE PRESSURE COMPARED TO ITS INITIAL SETTING. THIS IS BECAUSE REDUCTION IN PUMP CYCLE TIME CAN RESULT FROM LOSS OF TANK AIR PRESSURE WHICH IN TURN CAN MEAN THERE MAY BE INTERNAL CORROSION AND ANY RE-PRESSURIZATION OR ADDITIONAL PRESSURE COULD RESULT IN RUPTURE OR EXPLOSION.

⚠ WARNING CHLORINE & AGGRESSIVE WATER: THE WATER QUALITY CAN SIGNIFICANTLY INFLUENCE THE LIFE OF THIS PRODUCT. YOU SHOULD TEST FOR CORROSIVE ELEMENTS, ACIDITY, TOTAL SOLIDS AND OTHER RELEVANT CONTAMINANTS, INCLUDING CHLORINE AND TREAT YOUR WATER APPROPRIATELY TO INSURE SATISFACTORY PERFORMANCE AND PREVENT PREMATURE FAILURE. FOR YOUR SAFETY, THE INFORMATION IN THIS MANUAL MUST BE FOLLOWED TO MINIMIZE THE RISK OF ELECTRIC SHOCK, PROPERTY DAMAGE OR PERSONAL INJURY. PROPERLY GROUND TO CONFORM WITH ALL GOVERNING CODES AND ORDINANCES.

⚠ WARNING INSTALL OR STORE WHERE TANK WILL NOT BE EXPOSED TO TEMPERATURES BELOW FREEZING OR ABOVE 100°F. WATER FREEZING IN THE SYSTEM WILL BREAK IT. DO NOT ATTEMPT TO TREAT WATER OVER 100°F.

⚠ WARNING USE ONLY LEAD-FREE SOLDER AND FLUX FOR ALL SWEAT-SOLDER CONNECTIONS, AS REQUIRED BY STATE AND FEDERAL CODES.

NOTE: INSPECT FOR SHIPPING DAMAGE AND NOTIFY FREIGHT CARRIER OR STORE WHERE PURCHASED IMMEDIATELY IF DAMAGE IS PRESENT. TO AVOID RISK OF PERSONAL INJURY AND PROPERTY DAMAGE, IF THE PRODUCT APPEARS TO BE MALFUNCTIONING OR SHOWS SIGNS OF CORROSION, CALL A QUALIFIED PROFESSIONAL IMMEDIATELY. CURRENT COPIES OF THE PRODUCT MANUAL CAN BE VIEWED AT WWW.AMTROL.COM. USE PROPER SAFETY EQUIPMENT WHEN INSTALLING.

FAILURE TO FOLLOW THE ABOVE WARNINGS MAY RESULT IN SERIOUS OR FATAL PERSONAL INJURY OR DEATH AND/OR PERSONAL PROPERTY DAMAGE, AND WILL VOID THE WARRANTY.

2. AMTROL INC. LIMITED PRODUCT WARRANTY

Products covered: all Products manufactured by AMTROL Inc. ("AMTROL").

This warranty cannot be transferred – it is extended only to the original Purchaser or First User of the Product. By accepting and keeping this Product you agree to all of the warranty terms and limitations of liability described below.

IMPORTANT WARNING – READ CAREFULLY THE INSTALLATION, OPERATING AND MAINTENANCE INSTRUCTIONS MANUAL ("MANUAL") to avoid serious personal injury and/or property damage and to ensure safe use and proper care of this product.

Who Receives AMTROL's Product Warranty

All purchasers or first users of the new Product. The Warranty is non-transferable.

What is covered by this Warranty

AMTROL warrants to the purchaser or first user of the new Product that at the time of manufacture, the Product is free from defects in material and workmanship. Any warranty claim must be made within one (1) year unless another time period is set forth in the Manual, measured from the time the Product was purchased.

What AMTROL Will Do If You Have a Covered Warranty Claim

In the event of a breach of the foregoing warranty, AMTROL will at its option either make repairs to correct any defect in material or workmanship or supply and ship either new or used replacement parts or products. AMTROL will not accept any claims for labor or other costs.

What This Warranty Does Not Cover — Exclusions and Limitations

This Warranty does not cover any failure or problem unless it was caused by a defect in material or workmanship. In addition, this Warranty shall not apply:

- if the Product is not correctly installed, operated, repaired or maintained as described in the Manual provided with the Product;
- to any failure or malfunction resulting from abuse (including freezing); improper or negligent: handling, shipping (by anyone other than AMTROL), storage, use, operation, accident; or alteration, lightning, flood or any other environmental condition;
- to any failure or problem resulting from the use of the Product for any purpose other than those specified in the accompanying Manual or alteration of any part of the product;
- if the Product is used anywhere except the United States, its territories or possessions, or Canada;
- this Warranty does not cover labor costs, shipping charges, service charges, delivery expenses, administrative fees or any costs incurred in removing or reinstalling the Product;
- this Warranty does not cover any claims submitted to AMTROL or an AMTROL-authorized distributor or retailer more than 30 days after expiration of the applicable warranty time period described in this Warranty;
- this Warranty also does not cover repair or replacement costs not authorized in advance by AMTROL.

Additional Warranty Limitations

ALL IMPLIED WARRANTIES, INCLUDING THE IMPLIED WARRANTIES OF MERCHANTABILITY AND FITNESS FOR A PARTICULAR PURPOSE ARE SPECIFICALLY DISCLAIMED.

Limitations of Remedies

THE REMEDIES CONTAINED IN THIS WARRANTY ARE THE PURCHASER'S OR FIRST USER'S EXCLUSIVE REMEDIES. IN NO CIRCUMSTANCES WILL AMTROL BE LIABLE FOR MORE THAN, AND PURCHASER-FIRST USER'S REMEDIES SHALL NOT EXCEED, THE PRICE PAID FOR THE PRODUCT. IN NO CASE SHALL AMTROL BE LIABLE FOR ANY SPECIAL, INDIRECT, INCIDENTAL OR CONSEQUENTIAL DAMAGES, WHETHER RESULTING FROM NONDELIVERY OR FROM THE USE, MISUSE, OR INABILITY TO USE THE PRODUCT OR FROM DEFECTS IN THE PRODUCT OR FROM AMTROL'S OWN NEGLIGENCE OR OTHER TORT. This exclusion applies regardless of whether such damages are sought for breach of warranty, breach of contract, negligence, strict liability, in tort or under any other legal theory. Such damages include, but are not limited to, inconvenience, loss or damage to property, mold, loss of profits, loss of savings or revenue, loss of use of the Products or any associated equipment, facilities, buildings or services, downtime, and the claims of third parties including customers.

What To Do If You Have a Problem Covered By This Warranty

Any covered Warranty service must be authorized by AMTROL. Contact the person from whom you purchased the Product, who must receive authorization from an AMTROL distributor or AMTROL. If you do not receive a prompt response, call AMTROL directly at 877-517-9673. Notice of a Warranty claim should be submitted by the authorized distributor to AMTROL at the following address:

AMTROL Inc.
Warranty Claim Dept.
1400 Division Rd.
West Warwick, RI 02893

Before AMTROL determines to provide any replacement part or Product, it may as a pre-condition to making such a determination require that the warranty claimant ship the Product, postage prepaid to an authorized AMTROL distributor, or to AMTROL and provide proof of purchase evidenced by the original sales receipt or Product registration.

Replacement Product Warranty

In case of replacement of a Product or any component part, AMTROL reserves the right to make changes in the design, construction, or material of the substitute components or products, which shall be subject to all of the terms and limitations of this Warranty, except that the applicable warranty periods shall be reduced by the amount of time the warranty claimant owned the product prior to submitting notification of the warranty claim.

3. PRE-INSTALLATION CHECKLIST

IMPORTANT STEPS AND DECISIONS REQUIRED BEFORE INSTALLATION

THIS PRODUCT MUST BE INSTALLED AND MAINTAINED BY A LICENSED PROFESSIONAL. IN ADDITION TO THE INSTRUCTIONS IN THIS MANUAL, FOLLOW ALL APPLICABLE LOCAL AND STATE CODES OR IN THE ABSENCE OF SUCH CODES, THE CURRENT EDITIONS OF THE NATIONAL PLUMBING CODE AND THE NATIONAL ELECTRIC CODE.

DRIP PAN AND DRAIN: To avoid leaking and/or property damage, install with a drip pan connected to an adequate working drain kept clear at all times.

WARNING **MAXIMUM WORKING PRESSURES**
Every WELL-X-TROL is air tested to 150 psig, the maximum working pressure for the WELL-X-TROL line.

Should pressures exceed 150 psig, proper selection and sizing of an A.S.M.E. constructed WELL-X-TROL should be made.

WARNING **RELIEF VALVE REQUIRED**
A relief valve should be installed which is set to open at excessive pressures (125 psig). This will protect the WELL-X-TROL and other system components should the pressure switch malfunction and fail to shut the pump off. The relief valve should be installed at the connection of the WELL-X-TROL to the system piping and have a discharge equal to the pump's capacity at 125 psig.

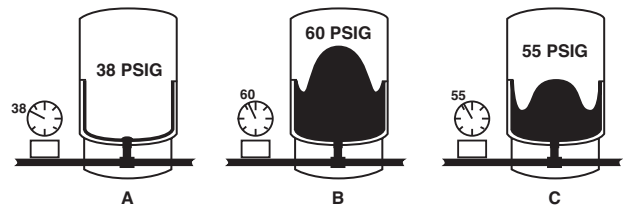
4. HOW YOUR WELL-X-TROL WORKS

OPERATING CHARACTERISTICS

The WELL-X-TROL principle employs a mechanical sealed-in heavy duty diaphragm to allow an air cushion to be pre-pressurized before leaving the factory.

Water is contained in a separate molded rigid polypropylene liner that is supported by the outside steel shell and covered by a diaphragm. This provides a completely non-corrosive water reservoir, eliminating any contact of system water with ferrous metal. The WELL-X-TROL is shipped with its total volume filled with air pressured to a standard precharge. As water enters the WELL-X-TROL, the diaphragm is flexed, compressing the air cushion, reducing its volume by the same volume of water that enters. As the volume of air decreases, the pressure in the WELL-X-TROL increases, so that it always equals the pressure exerted by the water. Since air pressure and water pressure are always equal, the diaphragm is never under any strain. It merely flexes or floats between the water and air. When properly sized, the air cushion in the WELL-X-TROL will be of sufficient volume at minimum pressure (pump cut-in) to allow a desired volume of water to enter the WELL-X-TROL with the subsequent pressure increase within the specified operating pressure range as set by the pressure switch.

NOTE: This is an example. Not all precharge pressure is 38 psi. Not all system pressures shut pump off at 60 psi



- A. Factory installed precharged air cushion. Pump off.
- B. When pump starts, water enters the reservoir. At 60 psig, system is filled. Pump shuts off.
- C. When water is demanded, pressure in the air chamber forces water into the system. Pump stays off.

5. INSTALLATION INSTRUCTIONS

System Connection

In-line Models WX-101, 102, 103, 105 and 200

In-line models WX-101, 102, 103 are conventionally installed directly in the main water supply line with a 3/4" connection. For model WX-200, a 1" fitting is used.

Vertical Stand Models WX-201 through WX-350

Vertical stand models WX-201 through WX-302 are equipped with an elbow system connection. The WX-201, WX-202, WX-202XL and the WX-203 have a 1" elbow. The WX-205, WX-250, WX-251, WX-255, WX-252, WX-302 and WX-350 have a 1 1/4" elbow.

Location

Proper WELL-X-TROL Location

The WELL-X-TROL should be installed as close as possible to the pressure switch. This will reduce the adverse effects of added friction loss and pressure switch bouncing, and the difference in elevation between WELL-X-TROL and switch.

⚠ WARNING DANGER! EXPLOSION HAZARD. WHEN THE WELL-X-TROL HAS BEEN IN SERVICE AND A CHANGE TO A HIGHER PRE-CHARGE PRESSURE IS NECESSARY DUE TO A REQUIRED CHANGE IN THE PRESSURE SWITCH SETTING, FAILURE TO FOLLOW INSTRUCTIONS BELOW CAN CAUSE A RUPTURE OR EXPLOSION, POSSIBLY CAUSING SERIOUS OR FATAL PERSONAL INJURY, AND/OR PROPERTY DAMAGE.

- DO NOT ADJUST OR ADD PRESSURE IF THERE HAS BEEN A LOSS OF AIR.
- DO NOT ADJUST THE PRE-CHARGE PRESSURE IF THERE IS VISIBLE EXTERIOR CORROSION.
- DO NOT ADJUST THE PRE-CHARGE PRESSURE IF THERE HAS BEEN A REDUCTION OF THE PUMP CYCLE TIME OR THE PRE-CHARGE PRESSURE COMPARED TO ITS INITIAL SETTING. THIS IS BECAUSE REDUCTION IN PUMP CYCLE TIME CAN RESULT FROM LOSS OF TANK AIR PRESSURE WHICH IN TURN CAN MEAN THERE MAY BE INTERNAL CORROSION AND ANY RE-PRESSURIZATION OR ADDITIONAL PRESSURE COULD RESULT IN RUPTURE OR EXPLOSION.

Adjusting Precharge Prior to Installation

- Step 1.** Remove protective air valve cap
- Step 2.** Check precharge pressure (pressure should be + or - 10% of the factory setting)
- Step 3.** Release or add air as necessary to make the precharge pressure 2 psig below the pressure switch pump cut-in setting. (Example, if you have a WX-202XL with a precharge of 38 psig, and you have a pressure switch setting of 30/50 psig, adjust precharge of your WX-202XL from 38 psig to 28 psig.)
- Step 4.** Replace protective air valve cap. Peel off backing of label and apply over air valve cap.

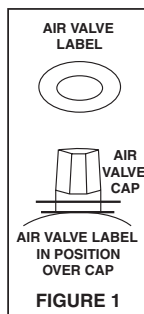


FIGURE 1



WARNING Explosion Hazard. Failure to follow these instructions can cause a rupture or explosion possibly causing serious or fatal injury, flooding, and / or property damage.

System Connection

1. Locate the WELL-X-TROL in the final desired location.
2. Level as necessary.
3. To eliminate friction loss, do not reduce the pipe size from the pump to the WELL-X-TROL.

Start Up

Fine Tuning Procedures

Many times the actual pressure switch will vary from the standard pressure range indicated. These variations could cause a momentary lag of water delivery, as the pressure switch is not "tuned to the WELL-X-TROL precharge pressure".

1. Fill the system and WELL-X-TROL until pump cuts off.
2. Open one or more fixtures to drain the WELL-X-TROL.
3. If there is a momentary pause in the water flow from the time the WELL-X-TROL is emptied and the pump starts, adjust pump cut-in setting clockwise slightly (see figure 2).
4. Close fixtures and refill WELL-X-TROL to pump cut off. Check time to fill.
5. Open fixtures and see if pause in water is eliminated. If not, continue adjusting pressure switch.

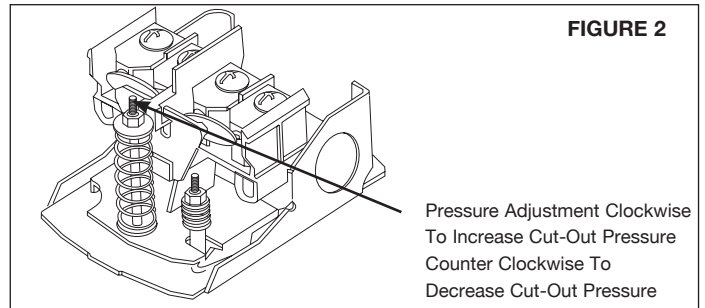


FIGURE 2

Adjusting Precharge After Installation

Step 1. Drain tank of all water. Check precharge pressure in the WELL-X-TROL Tank.

Step 2. Release or add air as necessary to make the recharge pressure 2 psig below the pressure switch pump cut-in setting.

All WELL-X-TROL "Underground Tanks" are designed for direct burial and must be installed in the vertical position **only**. To eliminate danger of freezing, tank should be buried below the frost line.

The following steps should be taken when installing a WELL-X-TROL "Underground Tanks":

1. Make sure that the tank will be buried below the frost line and above the water table.
2. Remove plastic bag and check tank precharge. Factory precharge is 38 psig. Replace air stem cap securely. Follow adjusting precharge procedure.
3. Important: Install tank on firm **rock-free earth**.
4. The Water lines from the pump to the tank and switch location should be the same size to prevent switch cycling.
5. Check the system for performance and inspect for leaks.
6. Important: Backfill hole with sand. Firmly tamp fill to prevent settling. Failure to do so will shorten tank life.
7. Fill out pressure tank location sticker and affix to power panel or other visible surface so tank can be easily located at a later time

1. INFORMATIONS GÉNÉRALES DE SÉCURITÉ

AVERTISSEMENT COMME LA PLUPART DES RÉSERVOIRS SOUS PRESSION, CE RÉSERVOIR SE CORRODERA OU SE ROMPRA AU BOUT D'UN CERTAIN TEMPS, ET/OU IL POURRA ÉCLATER ET/OU PRÉSENTER DES FUITES OU CAUSER UNE INONDATION (ET, DANS DES CAS RARES, IL POURRA EXPLOSER), QUI POURRAIT CAUSER DES BLESSURES GRAVES OU LA MORT, AINSI QUE DES DOMMAGES MATÉRIELS. POUR RÉDUIRE LES RISQUES AU MINIMUM, UN SPÉCIALISTE HABILITÉ DOIT INSTALLER ET, PÉRIODIQUEMENT, INSPECTER ET FAIRE L'ENTRETIEN DE L'APPAREIL. UNE CUVE D'ÉGOUTTEMENT RACCORDÉE À UNE ÉVACUATION ADÉQUATE DOIT ÊTRE INSTALLÉE SI LES FUITES OU L'INONDATION PEUVENT CAUSER DES DOMMAGES MATÉRIELS.

AVERTISSEMENT COMME DANS TOUS LES PRODUITS DE TUYAUTERIE ET LES RÉSERVOIRS DE STOCKAGE D'EAU, DES BACTÉRIES PEUVENT SE FORMER DANS LE WELL-X-TROL, SURTOUT QUAND IL N'EST PAS UTILISÉ. CONSULTER UN SPÉCIALISTE LOCAL DE TUYAUTERIE POUR DÉTERMINER LES MESURES À PRENDRE POUR DÉSINFECTER EN TOUTE SÉCURITÉ LE SYSTÈME DE TUYAUTERIE RÉSIDENTIEL.

AVERTISSEMENT SUIVRE TOUTES LES INSTRUCTIONS ET RECOMMANDATIONS CONTENUES DANS CE MANUEL ET LES AVERTISSEMENTS SPÉCIFIQUES ADDITIONNELS CI-DESSOUS. SINON, CELA CRÉERAIT UNE CONDITION D'INSÉCURITÉ QUI POURRAIT CONDUIRE À UNE EXPLOSION SÉRIEUSE, DES BLESSURES GRAVES OU LA MORT, ET DES DOMMAGES MATÉRIELS.

AVERTISSEMENT RISQUE D'EXPLOSION OU DE RUPTURE. UNE SOUPAPE DE DÉTENTE DOIT ÊTRE INSTALLÉE POUR EMPÊCHER LES PRESSIONS SUPÉRIEURES À 8,8 KG/CM² (125 PSIG) OU À LA VALEUR MAXIMALE EXIGÉE PAR LE CODE LOCAL (SI INFÉRIEURE).

AVERTISSEMENT RISQUE D'EXPLOSION OU DE RUPTURE. LE WELL-X-TROL DOIT ÊTRE UTILISÉ DE FAÇON QUE LA PRESSION NE DÉPASSE PAS 125 PSIG.

AVERTISSEMENT SI UN WELL-X-TROL DIMENSIONNÉ CORRECTEMENT (EN FONCTION DES INSTRUCTIONS DE DIMENSIONNEMENT CI-DESSOUS) N'EST PAS UTILISÉ, LA POMPE SERA SOUMISE À UNE CHARGE EXCESSIVE, CE QUI POURRAIT FINALEMENT CONDUIRE À LA DÉFAILLANCE, AUX FUITES OU À L'INONDATION DU PRODUIT ET À DES DOMMAGES MATÉRIELS.

AVERTISSEMENT DANGER ! RISQUE D'EXPLOSION. SI ON AJUSTE LA PRESSION DE PRÉCHARGE OU ON AUGMENTE LA PRESSION D'UN RÉSERVOIR CORRODÉ OU ENDOMMAGÉ OU DONT L'INTÉGRITÉ EST RÉDUITE, LE RÉSERVOIR PEUT ÉCLATER OU EXPLOSER, CE QUI POURRAIT CAUSER DES BLESSURES GRAVES OU MORTELLES ET/OU DES DOMMAGES MATÉRIELS.

- AJUSTER SEULEMENT LA PRESSION DE CHARGE INITIALE COMME INDIQUÉ DANS CE MANUEL LORSQUE LE RÉSERVOIR EST NEUF OU LORSQUE SON INTÉGRITÉ ET L'ABSENCE DE CORROSION INTERNE OU EXTERNE ONT ÉTÉ CONFIRMÉES.
- SEULS LES PROFESSIONNELS QUALIFIÉS PEUVENT VÉRIFIER, AJUSTER OU RECHARGER LA PRÉCHARGE DES RÉSERVOIRS.

AVERTISSEMENT DANGER ! RISQUE D'EXPLOSION. LORSQUE LE WELL-X-TROL A ÉTÉ EN SERVICE PENDANT UN CERTAIN TEMPS ET LA PRESSION DE CHARGE INITIALE DOIT ÊTRE AUGMENTÉE À CAUSE D'UN CHANGEMENT NÉCESSAIRE DU RÉGLAGE DU PRESSOSTAT, SI LES INSTRUCTIONS CI-DESSOUS NE SONT PAS SUIVIES, CELA PEUT CAUSER UNE RUPTURE OU UNE EXPLOSION, ET POURRAIT ENTRAÎNER DES BLESSURES GRAVES OU MORTELLES ET/OU DES DOMMAGES MATÉRIELS.

- NE PAS AJUSTER NI AUGMENTER LA PRESSION SI DE L'AIR S'EST ÉCHAPPÉ.
- NE PAS AJUSTER LA PRESSION DE CHARGE INITIALE S'IL EXISTE DES SIGNES DE CORROSION À L'EXTÉRIEUR.
- NE PAS AJUSTER LA PRESSION DE CHARGE INITIALE EN CAS DE RÉDUCTION DU TEMPS DE CYCLE DE LA POMPE OU DE LA PRESSION DE CHARGE INITIALE PAR RAPPORT À SA VALEUR D'ORIGINE. EN EFFET, LA RÉDUCTION DU TEMPS DE CYCLE DE LA POMPE PEUT ÊTRE DUE À LA PERTE DE PRESSION D'AIR DANS LE RÉSERVOIR, LAQUELLE PEUT ÊTRE CAUSÉE PAR LA CORROSION INTERNE, ET DANS CE CAS LA REMISE SOUS PRESSION OU L'AUGMENTATION DE LA PRESSION POURRAIT CONDUIRE À UNE RUPTURE OU À UNE EXPLOSION.

AVERTISSEMENT LA QUALITÉ DE L'EAU PEUT AFFECTER CONSIDÉRABLEMENT LA DURÉE DE SERVICE DU PRODUIT. IL FAUT TESTER L'EAU POUR DÉCELER LES ÉLÉMENTS CORRODANTS ÉVENTUELS, MESURER SON ACIDITÉ, LA CONCENTRATION TOTALE DES SOLIDES ET AUTRES CONTAMINANTS APPROPRIÉS, Y COMPRIS LE CHLORE, ET LA TRAITER D'UNE FAÇON ADÉQUATE POUR ASSURER UNE BONNE PERFORMANCE ET EMPÊCHER LES PANNES PRÉMATURÉES.

AVERTISSEMENT INSTALLER OU STOCKER DANS UN ENDROIT OÙ LE RÉSERVOIR NE SERA PAS EXPOSÉ AUX TEMPÉRATURES INFÉRIEURES À LA TEMPÉRATURE DE CONGÉLATION OU SUPÉRIEURES À 37,8°C (100°F), NE PAS EXPOSER AUX INTEMPÉRIES DE TOUTE NATURE. SI L'EAU GÈLE DANS LE SYSTÈME, CE DERNIER TOMBERA EN PANNE. NE PAS ESSAYER DE TRAITER L'EAU À UNE TEMPÉRATURE SUPÉRIEURE À 37,8°C (100°F).

AVERTISSEMENT UTILISER UNIQUEMENT DE LA SOUDURE ET UN FLUX SANS PLOMB POUR TOUTES LES CONNEXIONS DE SOUDURE PAR RESSUAGE, COMME REQUIS PAR LES CODES RÉGIONAUX ET NATIONAUX.

REMARQUE : INSPECTER POUR DÉCELER LES DOMMAGES ÉVENTUELS D'EXPÉDITION ET AVISER LE TRANSPORTEUR OU LE MAGASIN DE VENTE IMMÉDIATEMENT SI DES DOMMAGES EXISTENT.

REMARQUE : VEUILLEZ LIRE DANS LEUR ENTIER LE MANUEL DU PROPRIÉTAIRE ET LES INSTRUCTIONS D'INSTALLATION AVANT D'INSTALLER CE NOUVEAU PRODUIT AMTROL. SAUVEGARDER TOUS LES DOCUMENTS ET MANUELS POUR QU'ILS SERVENT DE RÉFÉRENCE ULTÉRIEURE.

REMARQUE : UTILISER UN ÉQUIPEMENT DE SÉCURITÉ APPROPRIÉ POUR L'INSTALLATION.

REMARQUE : IL FAUT RESPECTER TOUS LES CODES DE PLOMBERIE.

REMARQUE : SI LES AVERTISSEMENTS CI-DESSUS NE SONT PAS RESPECTÉS, CELA PEUT CONDUIRE À DES BLESSURES SÉRIEUSES OU MORTELLES ET/OU DES DOMMAGES MATÉRIELS, ET CAUSERA L'ANNULATION DE LA GARANTIE.

SI LES AVERTISSEMENTS CI-DESSUS NE SONT PAS RESPECTÉS, CELA POURRA CONDUIRE À DES BLESSURES GRAVES OU LA MORT ET/OU DES DOMMAGES MATÉRIELS, ET ANNULERA LA GARANTIE

2. GARANTIE LIMITÉE DE PRODUIT AMTROL

Produits couverts : tous les produits fabriqués par AMTROL Inc. ("AMTROL").

Cette garantie ne peut pas être cédée – elle est offerte uniquement à l'Acheteur initial ou au Premier Utilisateur du Produit. En acceptant et en conservant ce Produit, vous convenez de toutes les dispositions et limitations de responsabilité de la garantie décrites ci-dessous.

AVERTISSEMENT IMPORTANT – LIRE AVEC SOIN LE MANUEL D'INSTRUCTIONS D'INSTALLATION, FONCTIONNEMENT ET MAINTENANCE (le "MANUEL") pour éviter les blessures graves et/ou les dommages matériels et pour s'assurer de la sécurité d'utilisation et du bon entretien de ce produit.

Qui reçoit la garantie de produit d'AMTROL

Tous les acheteurs ou les premiers utilisateurs du Produit neuf. La garantie n'est pas cessible.

Qu'est-ce qui est couvert par cette Garantie

AMTROL® garantit à l'acheteur ou au premier utilisateur du Produit neuf que, au moment de sa fabrication, le Produit était dépourvu de vice de matériau ou de fabrication. Toute réclamation de garantie doit être déposée dans un délai d'un (1) an après la date d'achat du Produit, sauf si d'autres délais sont précisés dans le Manuel.

Ce que fera AMTROL en cas de réclamation couverte par la garantie

En cas de violation de la garantie ci-dessus, AMTROL choisira soit d'effectuer des réparations afin de corriger tout vice de matériau ou de fabrication soit de fournir et d'expédier des pièces ou des produits de rechange, neufs ou non. AMTROL n'acceptera pas de réclamation pour les dépenses de main d'œuvre ou autres.

Ce que cette Garantie ne couvre pas - Exclusions et Limitations

Cette Garantie ne couvre pas les défaillances ou les problèmes qui n'ont pas été causés par un vice de matériau ou de fabrication. En outre, cette Garantie n'est pas applicable :

- Si le Produit n'a pas été correctement installé, utilisé, réparé ou maintenu comme indiqué dans le Manuel fourni avec le Produit ;
- À toute panne ou défaillance causée par un abus (y compris le gel) ; une manutention, expédition (par un tiers autre que Amtrol), stockage, utilisation, opération, accident inappropriés ou négligents; ou une altération, la foudre, l'inondation ou toute autre condition environnementale;
- À toute panne ou problème causé par l'utilisation du Produit pour toute raison autre que celles spécifiées dans le Manuel joint ou par l'altération d'une partie quelconque du produit ;
- Si le Produit est utilisé dans tout endroit autre qu'aux États-Unis, ses territoires ou possessions, ou au Canada ;
- Cette Garantie ne couvre pas les coûts de main d'œuvre, les frais d'expédition, les commissions, les frais de livraison, les frais administratifs ou toute autre dépense subie pour reprendre ou réinstaller le Produit ;
- Cette Garantie ne couvre aucune réclamation déposée auprès de Amtrol ou d'un concessionnaire ou détaillant autorisé de Amtrol plus de 30 jours après l'expiration de la période applicable de garantie décrite dans cette Garantie ;
- Cette Garantie ne couvre pas non plus les frais de réparation ou de remplacement qui n'ont pas été autorisés au préalable par AMTROL.

Limitations de garantie supplémentaires

TOUTES LES GARANTIES TACITES, INCLUANT LES GARANTIES TACITES DE QUALITÉ MARCHANDE ET D'APTITUDE À UN USAGE PARTICULIER, SONT SPÉCIFIQUEMENT REJETÉES.

Limitations des remèdes

LES REMÈDES CONTÈNUS DANS CETTE GARANTIE REPRESENTENT LES REMÈDES EXCLUSIFS DE L'ACHETEUR OU DU PREMIER UTILISATEUR. AMTROL NE SAURAIT EN AUCUN CAS ÊTRE RESPONSABLE POUR UNE SOMME SUPÉRIEURE AU PRIX D'ACHAT DU PRODUIT, ET LES REMÈDES DE L'ACHETEUR/PREMIER UTILISATEUR NE DÉPASSERONT PAS CE PRIX. AMTROL NE SERA EN AUCUN CAS TENU RESPONSABLE POUR TOUS DOMMAGES-INTÉRÊTS SPÉCIAUX, INDIRECTS, FORTUITS OU ACCESSOIRES, QU'ILS RESULTENT OU NON DE LA NON-LIVRAISON OU DE LA NON-UTILISATION, LA MAUVAISE UTILISATION OU L'IMPOSSIBILITÉ D'UTILISATION DU PRODUIT, OU DE DÉFAUTS DU PRODUIT OU DE LA NEGLIGENCE OU AUTRE FAUTE DE AMTROL. Cette exclusion est applicable, que les dommages-intérêts soient ou non demandés pour violation de garantie, rupture de contrat, négligence, responsabilité stricte, dans le cadre d'un délit civil ou selon toute autre théorie juridique. Ces dommages-intérêts incluent, sans pour autant que cette énumération soit limitative, l'inconfort, les pertes ou les dommages matériels, les moisissures, les pertes de bénéfice, les pertes d'argent économisé ou les pertes de chiffre d'affaires, les pertes d'utilisation des Produits ou de tout équipement, installation, immeuble ou service associé, les temps morts et les réclamations de tiers, incluant les clients.

Que faut-il faire en cas de problème couvert par cette Garantie

Toute réparation couverte par la Garantie doit être autorisée par AMTROL. Contacter la personne auprès de laquelle le Produit a été acheté, et qui doit recevoir l'autorisation d'un concessionnaire AMTROL ou l'autorisation de AMTROL. Si la réponse se fait attendre, contacter AMTROL directement au numéro 877-517-9673. La notification de réclamation de garantie doit être soumise par le concessionnaire autorisé de AMTROL à l'adresse ci-dessous:

AMTROL Inc.
Warranty Claim Dept.
1400 Division Rd.
West Warwick, RI 02893 USA

Avant que AMTROL ne décide de fournir une pièce ou un Produit de rechange, il peut exiger, en tant que condition préalable à cette prise de décision, que le demandeur de garantie envoie le Produit en port payé chez un concessionnaire AMTROL autorisé ou chez AMTROL et fournisse un justificatif d'achat sous forme de récépissé de vente d'origine ou de l'enregistrement du Produit.

Garantie du Produit de rechange

En cas de remplacement d'un Produit ou de toute autre pièce, AMTROL se réserve le droit d'apporter des modifications à la conception, la construction ou les matériaux des pièces ou des produits de substitution, lesquels seront soumis à toutes les dispositions et limitations de cette Garantie, sauf que les périodes de garantie applicables seront réduites par la période au cours de laquelle le demandeur de garantie avait possédé le produit avant de soumettre la notification de réclamation de garantie.

Le symbole AMTROL, AMTROL, Well-X-Trol, Champion, Wel-Flo, Ex-trol, Fill-Trol, Therm-X-Trol et Boilermate sont des marques déposées de AMTROL Inc.

Revised 7/03

3. LISTE DE CONTRÔLE AVANT L'INSTALLATION

ÉTAPES ET DÉCISIONS IMPORTANTES ET NÉCESSAIRES AVANT L'INSTALLATION

☐ CE PRODUIT DOIT ÊTRE INSTALLÉ ET MAINTENU PAR UN SPÉCIALISTE HABILITÉ. EN PLUS DES INSTRUCTIONS DE CE MANUEL, SUIVRE TOUS LES CODES LOCAUX ET RÉGIONAUX APPLICABLES OU, DANS LEUR ABSENCE, LES DERNIÈRES VERSIONS DU CODE NATIONAL DE LA TUYAUTERIE ET DU CODE NATIONAL DE L'ÉLECTRICITÉ

☐ BAC D'ÉGOUTTEMENT ET ÉVACUATION: Pour éviter les fuites et/ou les dommages matériels, installer avec un bac d'égouttement connecté à un drain en bon état de marche et débouché en permanence.

⚠ AVERTISSEMENT **PRESSIIONS MAXIMALES DE MARCHÉ**
Chaque WELL-X-TROL est testé à 150 psig, la pression de marche maximale de la conduite WELL-X-TROL. Si la pression doit dépasser 150 psig, il faut sélectionner et dimensionner avec soin un WELL-X-TROL dont la construction est conforme à A.S.M.E.

⚠ AVERTISSEMENT **SOUPAPE DE DÉTENTE NÉCESSAIRE**
Une soupape de détente doit être installée et réglée pour s'ouvrir aux pressions excessives (125 psig et plus). Cela protégera le WELL-X-TROL et les autres composants du système au cas où le pressostat ne fonctionnerait pas correctement et n'arrêterait pas la pompe. La soupape de détente doit être installée au niveau du raccordement du WELL-X-TROL à la tuyauterie du système, et doit avoir une pression de refoulement égale à la capacité de la pompe, soit 125 psig.

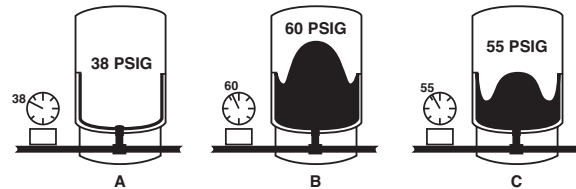
4. FONCTIONNEMENT DU WELL-X-TROL

CARACTÉRISTIQUES OPÉRATIONNELLES

Le principe du réservoir de puits est d'utiliser un diaphragme mécanique scellé renforcé permettant d'assurer la pressurisation initiale d'un coussin d'air avant l'expédition de l'usine.

L'eau est contenue dans un récipient indépendant en polypropylène rigide moulé, soutenu par la coque extérieure en acier et recouvert par un diaphragme. Le tout forme un réservoir d'eau sans corrosion, en éliminant tout contact entre l'eau du système et les métaux ferreux. Pour l'expédition, le WELL-X-TROL est complètement rempli d'air à une pression typique de charge initiale. À mesure que l'eau pénètre dans le WELL-X-TROL, le diaphragme se courbe, en comprimant le coussin d'air, ce qui réduit son volume d'une quantité égale au volume d'eau qui est entré. À mesure que le volume d'air diminue, la pression du WELL-X-TROL augmente, de façon à être toujours égale à la pression exercée par l'eau. Étant donné que la pression d'air et la pression d'eau restent toujours égales, le diaphragme n'est jamais soumis à une charge. Il se courbe ou flotte simplement entre l'eau et l'air. S'il a une taille appropriée, le coussin d'air dans le WELL-X-TROL aura un volume suffisant à la pression minimum (pression d'activation de la pompe) pour laisser le volume d'eau désiré entrer dans le WELL-X-TROL, et pour permettre d'augmenter la pression dans la plage spécifiée des pressions opérationnelles, telle que définie par le pressostat.

REMARQUE : Ceci est un exemple. La pression de charge initiale n'est pas toujours de 38 psi. La pression du système arrête pas toujours la pompe à 60 psi



- A. Coussin d'air à charge initiale, installé à l'usine. Pompe arrêtée.
- B. Lorsque la pompe démarre, l'eau pénètre dans le réservoir. À 60 psig, le système est rempli. La pompe s'arrête.
- C. Sur demande d'eau, la pression dans la chambre à air

5. INSTRUCTIONS D'INSTALLATION

Raccordement du système

Modèles en ligne WX-101, 102, 103, 105 et 200

Les modèles en ligne WX-101, 102 et 103 sont traditionnellement installés directement dans la conduite principale d'alimentation d'eau avec une connexion de 3/4 pouce. Pour le modèle WX-200, un raccord de 1 pouce est utilisé.

Modèles à support vertical WX-201 à WX-350

Les modèles à support vertical WX-201 à WX-302 sont équipés d'une connexion de système soudée. Les WX-201, WX-202, WX-202XL et WX-203 ont un coude de 1 pouce. Les WX-205, WX-250, WX-251, WX-255, WX-252, WX-302 et 350 ont un coude de 1 1/4 pouces.

Emplacement

Emplacement approprié du WELL-X-TROL

Le WELL-X-TROL doit être installé aussi près que possible du pressostat. Cela réduit les effets nuisibles des pertes dues à l'augmentation des frottements, des mouvements du pressostat et de la différence de hauteur entre le WELL-X-TROL et le pressostat.

⚠ AVERTISSEMENT DANGER! RISQUE D'EXPLOSION. LORSQUE LE WELL-X-TROL A ÉTÉ EN SERVICE PENDANT UN CERTAIN TEMPS ET LA PRESSION DE CHARGE INITIALE DOIT ÊTRE AUGMENTÉE À CAUSE D'UN CHANGEMENT NÉCESSAIRE DU RÉGLAGE DU PRESSOSTAT, LE NON-RESPECT DES INSTRUCTIONS CI-DESSOUS PEUT CAUSER UNE RUPTURE OU UNE EXPLOSION, RISQUE DE BLESSURES GRAVES OU MORTELLES.

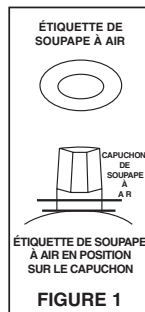
- NE PAS AJUSTER NI AUGMENTER LA PRESSION SI DE L'AIR S'EST ÉCHAPPÉ.

- NE PAS AJUSTER LA PRESSION DE CHARGE INITIALE S'IL EXISTE DES SIGNES DE CORROSION À L'EXTÉRIEUR.

- NE PAS AJUSTER LA PRESSION DE CHARGE INITIALE EN CAS DE RÉDUCTION DU TEMPS DE CYCLE DE LA POMPE OU DE LA PRESSION DE CHARGE INITIALE PAR RAPPORT À SA VALEUR D'ORIGINE. EN EFFET, LA RÉDUCTION DU TEMPS DE CYCLE DE LA POMPE PEUT ÊTRE DUE À LA PERTE DE PRESSION D'AIR DANS LE RÉSERVOIR, LAQUELLE PEUT ÊTRE CAUSÉE PAR LA CORROSION INTERNE, ET DANS CE CAS LA REMISE SOUS PRESSION OU L'AUGMENTATION DE LA PRESSION POURRAIT CONDUIRE À UNE RUPTURE OU À UNE EXPLOSION.

Ajustement de la charge initiale Avant l'installation

- Étape 1.** Retirer le capuchon de protection de la soupape à air
- Étape 2.** Vérifier la pression de charge initiale (elle devrait être égale au réglage d'usine avec une tolérance de + ou - 10%)
- Étape 3.** Retirer ou ajouter de l'air selon les besoins pour amener la pression de charge initiale à 2 psig au-dessous de la pression d'activation de pompe du pressostat. Exemple : pour un WX-202XL avec une charge initiale de 38 psig et un réglage de pressostat de 30/50 psig, abaisser la charge initiale du WX-202XL de 38 psig à 28 psig.
- Étape 4.** Remettre en place le capuchon de protection de la soupape à air. Retirer le dos de l'étiquette et la placer sur le capuchon de la soupape à air.



⚠ AVERTISSEMENT Risque d'explosion. Si ces instructions ne sont pas suivies, cela peut causer une rupture ou une explosion pouvant conduire à des blessures graves ou la mort, l'inondation et/ou les dommages matériels.

Raccordement du système

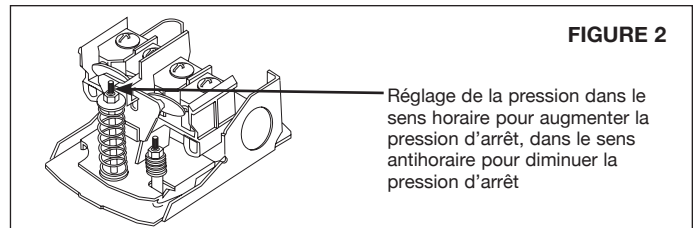
1. Placer le WELL-X-TROL dans son emplacement définitif.
2. Mettre l'appareil de niveau selon les besoins.
3. Pour éliminer les pertes de friction, ne pas réduire la taille du tuyau entre la pompe et le WELL-X-TROL.

Démarrage

Procédures de réglage fin

Souvent, la pression réelle du pressostat ne sera pas dans la plage de pression nominale indiquée. Ces variations pourraient causer un retard momentané de la livraison d'eau, car le pressostat n'est pas "accordé à la pression de charge initiale du WELL-X-TROL".

1. Remplir le système et le WELL-X-TROL jusqu'à ce que la pompe s'arrête.
2. Ouvrir un ou plusieurs robinets pour vider le WELL-X-TROL.
3. Si le débit d'eau subit une interruption momentanée après que le WELL-X-TROL ait été vidé et la pompe ait démarré, ajuster le réglage d'activation de la pompe légèrement dans le sens horaire (voir la figure 2).
4. Fermer les robinets et remplir à nouveau le WELL-X-TROL jusqu'à l'arrêt de la pompe. Vérifier le temps nécessaire au remplissage.
5. Ouvrir les robinets et déterminer si l'interruption de l'alimentation d'eau a été éliminée. Sinon, continuer à ajuster le pressostat.



Réglage de la charge initiale après l'installation

Étape 1. Vider complètement le réservoir. Vérifier la pression de charge initiale dans le réservoir WELL-X-TROL.

Étape 2. Retirer ou ajouter de l'air selon les besoins pour amener la pression de charge initiale à 2 psig au-dessous de la pression d'activation de pompe du pressostat.

Tous les "réservoirs souterrains" WELL-X-TROL sont conçus pour être enterrés et doivent être installés **uniquement** en position verticale. Pour éliminer les risques de gel, le réservoir doit être enterré en dessous de la profondeur limite du gel.

Les étapes suivantes doivent être exécutées pour installer des "réservoirs souterrains" WELL-X-TROL:

1. S'assurer que le réservoir va être enterré en dessous de la profondeur limite de gel et au-dessus de la nappe phréatique.
2. Retirer le sac en plastique et vérifier la charge initiale du réservoir. La charge initiale d'usine est de 38 psig. Remettre en place avec soin le capuchon de la valve d'air. Suivre la procédure de réglage de la charge initiale.
3. Important: Installer le réservoir sur la **terre ferme**, sans pierre.
4. Les conduites d'eau entre la pompe et les emplacements du réservoir et du pressostat doivent avoir la même taille pour éviter les cycles du pressostat
5. Vérifier la performance du système et faire une inspection pour déceler les fuites éventuelles.
6. Important: Remblayer le trou avec du sable. Bien damer le remblai pour empêcher les tassements. Sinon, cela réduira la durée de service du réservoir.
7. Remplir l'autocollant d'emplacement du réservoir pressurisé et le placer sur le panneau d'alimentation ou une autre surface visible de façon à pouvoir facilement localiser le réservoir à une date ultérieure.

1. INFORMACIÓN GENERAL DE SEGURIDAD

ADVERTENCIA

ESTE TANQUE, TAL COMO SUCEDERÍA CON LA MAYORÍA DE LOS TANQUES BAJO PRESIÓN, CON EL CORRER DEL TIEMPO SE VA A CORROER Y/O PODRÍA ESTALLAR Y/O TENER FUGAS O INUNDARSE (Y EN CASOS RAROS, EXPLOTAR), LO CUAL PUEDE CAUSAR LESIONES PERSONALES GRAVES O FATALES Y DAÑOS MATERIALES. PARA REDUCIR ESTE RIESGO, LA UNIDAD DEBE SER INSTALADA E INSPECCIONADA Y RECIBIR MANTENIMIENTO PERIÓDICO DE UN INSTALADOR PROFESIONAL CERTIFICADO. SI EXISTE LA POSIBILIDAD DE QUE UNA PÉRDIDA O INUNDACIÓN PUEDA CAUSAR DAÑOS MATERIALES, SE DEBE INSTALAR UNA BANDEJA RECOLECTORA DE FUGAS, CONECTADA A UN DRENAJE ADECUADO.

PRECAUCIÓN

TAL COMO SUCEDERÍA CON TODOS LOS PRODUCTOS DE INSTALACIONES SANITARIAS Y RECIPIENTES DE ALMACENAMIENTO DE AGUA, PUEDEN DESARROLLARSE BACTERIAS EN SU WELL-X-TROL, ESPECIALMENTE DURANTE PERÍODOS DE NO FUNCIONAMIENTO. CONSULTE CON SU FUNCIONARIO DE INSTALACIONES SANITARIAS LOCAL SOBRE LOS PASOS QUE DEBE SEGUIR PARA DESINFECTAR CON SEGURIDAD EL SISTEMA DE INSTALACIONES SANITARIAS DE SU CASA.

ADVERTENCIA

SIGA TODAS LAS INSTRUCCIONES Y RECOMENDACIONES QUE HAY EN ESTE MANUAL, ASÍ COMO LAS SIGUIENTES ADVERTENCIAS ESPECÍFICAS. EL NO HACERLO ES INSEGURO Y PUEDE CAUSAR UNA EXPLOSIÓN GRAVE, LESIONES PERSONALES GRAVES O FATALES Y DAÑOS MATERIALES.

ADVERTENCIA

PELIGRO DE EXPLOSIÓN O RUPTURA. SE DEBE INSTALAR UNA VÁLVULA DE ALIVIO CON EL FIN DE EVITAR QUE HAYA UNA PRESIÓN MAYOR QUE 125 LPPC (LIBRAS POR PULGADA CUADRADA, U 8.75 KG/CM²), O LO QUE INDIQUE EL REGLAMENTO LOCAL, LO QUE SEA MENOR.

ADVERTENCIA

PELIGRO DE EXPLOSIÓN O RUPTURA. EL WELL-X-TROL SE DEBE OPERAR DE MANERA TAL QUE NO SE EXCEDA UNA PRESIÓN MANOMÉTRICA DE 125 LPPC (8.75 Kg/cm²).

ADVERTENCIA

LA UTILIZACIÓN DE UN WELL-X-TROL QUE NO SEA DE LA DIMENSIÓN ADECUADA (CON BASE EN LAS SIGUIENTES INSTRUCCIONES DE DIMENSIONAMIENTO) PUEDE PRODUCIR ESFUERZOS EXCESIVOS EN LA BOMBA, QUE A SU VEZ PUEDEN CAUSAR FALLAS DEL PRODUCTO, PÉRDIDAS E INUNDACIÓN, Y DAÑOS MATERIALES.

ADVERTENCIA

¡PELIGRO! RIESGO DE EXPLOSIÓN. SI USTED AJUSTA LA PRESIÓN DE PRECARGA O AUMENTA LA PRESIÓN DE UN TANQUE QUE ESTÁ CORROÍDO O DAÑADO, O CUYA INTEGRIDAD HA SIDO COMPROMETIDA, DICHO TANQUE PODRÍA REVENTARSE O EXPLOTAR, EXISTIENDO LA POSIBILIDAD DE QUE ESTO PROVOQUE LESIONES GRAVES O FATALES Y DAÑOS MATERIALES.

- SÓLO AJUSTE LA PRECARGA COMO SE DESCRIBE EN ESTE MANUAL CUANDO EL TANQUE SEA NUEVO O CUANDO SE CONFIRME SU INTEGRIDAD Y QUE NO TENGA PÉRDIDAS INTERNAS O EXTERNAS.

- LA PRECARGA DE LOS TANQUES SÓLO DEBE SER REVISADA, AJUSTADA Y RECARGADA POR UN PROFESIONAL CALIFICADO.

ADVERTENCIA

¡PELIGRO! RIESGO DE EXPLOSIÓN. SI DESPUÉS DE QUE EL WELL-X-TROL HA ESTADO EN SERVICIO, ES NECESARIO SUBIR SU PRESIÓN DEBIDO A UN CAMBIO REQUERIDO EN EL AJUSTE DEL INTERRUPTOR DE PRESIÓN, DE NO SEGUIRSE LAS INSTRUCCIONES A CONTINUACIÓN, PODRÍA OCURRIR UNA RUPTURA O EXPLOSIÓN, CON LA POSIBILIDAD DE QUE OCURRAN LESIONES GRAVES O FATALES Y DAÑOS MATERIALES.

- NO AJUSTE O AUMENTE LA PRESIÓN SI HA HABIDO PÉRDIDA DE AIRE.

- NO AJUSTE LA PRESIÓN DE PRECARGA SI SE OBSERVA CORROSIÓN EN EL EXTERIOR.

- NO AJUSTE LA PRESIÓN DE PRECARGA SI HUBO ALGUNA REDUCCIÓN EN EL CICLO DE OPERACIÓN DE LA BOMBA O EN LA PRESIÓN DE PRECARGA, COMPARADA CON SU VALOR INICIAL. ESTO SE DEBE A QUE LA REDUCCIÓN DEL CICLO DE OPERACIÓN DE LA BOMBA PUEDE SER CAUSADA POR UNA PÉRDIDA DE PRESIÓN DE AIRE DEL TANQUE, LO QUE A SU VEZ, PUEDE SER UN SÍNTOMA DE CORROSIÓN INTERNA, POR LO QUE CUALQUIER REPRESURIZACIÓN O PRESIÓN ADICIONAL PODRÍA PRODUCIR UNA RUPTURA O EXPLOSIÓN.

ADVERTENCIA

LA CALIDAD DEL AGUA PUEDE AFECTAR DE MANERA SIGNIFICATIVA LA VIDA DE SU PRODUCTO. USTED DEBE PROBARLA PARA DETECTAR EN ELLA ELEMENTOS CORROSIVOS, ACIDEZ, SÓLIDOS TOTALES Y OTROS CONTAMINANTES DE CONSIDERACIÓN, INCLUYENDO CLORO, Y TRATAR EL AGUA DE MANERA APROPIADA, A FIN DE ASEGURAR UN DESEMPEÑO SATISFACTORIO Y DE PREVENIR FALLAS PREMATURAS.

ADVERTENCIA

INSTALE O ALMACENE EL TANQUE EN UN LUGAR EN EL QUE NO ESTÉ EXPUESTO A TEMPERATURAS BAJO CERO O MAYORES QUE 100°F (38°C); NO SE EXPONGA A NINGÚN TIPO DE CLIMA EN EXTERIORES. EL CONGELAMIENTO DEL AGUA EN EL SISTEMA LO ROMPERÁ. NO TRATE AGUA A MÁS DE 100°F (38°C).

ADVERTENCIA

SÓLO USE SOLDADURA Y FUNDENTE SIN PLOMO EN LAS CONEXIONES SOLDADAS, TAL COMO LO REQUIEREN LOS REGLAMENTOS ESTATALES Y FEDERALES.

NOTA: REVISE SI EL PRODUCTO SUFRIÓ DAÑOS DURANTE LA TRANSPORTACIÓN Y, SI ESTÁ DAÑADO, NOTIFIQUELO DE INMEDIATO AL TRANSPORTISTA O A LA TIENDA DONDE LO ADQUIRIÓ.

POR FAVOR LEA EL MANUAL DEL PROPIETARIO Y LAS INSTRUCCIONES DE INSTALACIÓN ANTES DE INSTALAR SU NUEVO PRODUCTO AMTROL. GUARDE LA DOCUMENTACIÓN Y LOS MANUALES PARA REFERENCIA FUTURA. DE

AL INSTALARLO, UTILICE EQUIPO DE SEGURIDAD ADECUADO.

SE DEBEN CUMPLIR TODOS LOS REGLAMENTOS DE PLOMERÍA.

EL INCUMPLIMIENTO DE LAS ADVERTENCIAS ANTERIORES PUEDE TRAER COMO CONSECUENCIA LESIONES PERSONALES GRAVES O FATALES Y DAÑOS PERSONALES Y MATERIALES, ADEMÁS DE QUE ANULARÁ LA GARANTÍA.

DE NO SEGUIRSE LAS ADVERTENCIAS ANTERIORES, PODRÍAN PRODUCIRSE LESIONES PERSONALES GRAVES O LA MUERTE, Y/O DAÑOS MATERIALES, Y SE ANULARÁ LA GARANTÍA.

2. GARANTÍA LIMITADA SOBRE LOS PRODUCTOS DE AMTROL

Productos cubiertos: todos los productos manufacturados por AMTROL Inc. ("AMTROL").

Esta garantía es intransferible; se concede únicamente al comprador original o al primer usuario del producto. Al aceptar y conservar este producto, usted acepta todos los términos de la garantía, así como las limitaciones de responsabilidad que se describen a continuación.

ADVERTENCIA IMPORTANTE: LEA CON ATENCIÓN EL MANUAL DE INSTRUCCIONES DE INSTALACIÓN, OPERACIÓN Y MANTENIMIENTO ("MANUAL") para prevenir graves lesiones personales y daños materiales, así como para asegurar la adecuada utilización y cuidado de este producto.

Para asegurar la cobertura de su garantía, envíe por correo la tarjeta de registro del producto en un plazo de 30 días a partir de la fecha de compra; de otra manera, para cualquier reclamo relacionado con la garantía, se requerirá comprobación de la compra.

¿Quién recibe la garantía de los productos AMTROL?

Todos los compradores o primeros usuarios de un producto nuevo. La garantía no es transferible.

¿Qué cubre esta garantía?

AMTROL® garantiza al comprador o al primer usuario del producto nuevo que, al momento de manufactura, dicho producto está libre de defectos materiales y de mano de obra. Cualquier reclamación de garantía se debe efectuar en un plazo de un (1) año a partir de la fecha de compra, a menos que en el manual se especifique un plazo distinto.

¿Qué hará AMTROL si usted tiene un reclamo cubierto por la garantía?

En caso de incumplimiento de la garantía anterior, AMTROL, a opción suya, efectuará las reparaciones necesarias para corregir cualquier defecto material o de mano de obra, o suministrará y enviará piezas o productos de repuesto nuevos o usados. AMTROL no aceptará ningún reclamo por mano de obra u otros costos.

¿Qué no queda cubierto por esta garantía? Exclusiones y limitaciones

Esta garantía no cubre ninguna falla ni ningún problema, a menos que haya sido causado por defectos materiales o de mano de obra. Además, esta garantía no aplicará:

- Si el producto no ha sido instalado, operado, reparado o mantenido correctamente, según lo descrito en el manual que se suministra con él;
- A ninguna falla o funcionamiento defectuoso que resulte a consecuencia de maltrato (incluyendo congelamiento); manejo, embarque (por terceros distintos de AMTROL), almacenamiento, utilización u operación inadecuados o negligentes; accidente; alteración; rayos; inundación; o cualquier otra condición medioambiental;
- A cualquier falla o problema que resulte del uso del producto para cualquier fin distinto de los que se especifican en el manual adjunto, o por la alteración de cualquier parte del producto;
- Si el producto se utiliza en cualquier parte fuera de los Estados Unidos, sus territorios o posesiones, o Canadá;
- Esta garantía no cubre los costos de mano de obra, gastos de envío, costos de servicio, gastos de entrega, cargos administrativos ni ningún otro costo en el que se incurra por remover o reinstalar el producto.
- Esta garantía no cubre ningún otro reclamo remitido a AMTROL o a un distribuidor o minorista autorizado de AMTROL más de 30 días después del periodo aplicable de garantía que se describe en esta garantía;
- Esta garantía tampoco cubre los costos de reparación y de reemplazo no autorizados por AMTROL por adelantado.

Limitaciones adicionales de la garantía

TODAS LAS GARANTÍAS IMPLÍCITAS, INCLUYENDO LAS GARANTÍAS IMPLÍCITAS DE COMERCIALIZACIÓN E IDONEIDAD PARA UN FIN PARTICULAR, SON DENEGADAS ESPECÍFICAMENTE.

Limitaciones de los remedios

LOS REMEDIOS CONTENIDOS EN ESTA GARANTÍA SON EXCLUSIVOS PARA EL COMPRADOR O EL PRIMER USUARIO.

BAJO NINGUNA CIRCUNSTANCIA SERÁ RESPONSABLE AMTROL POR MÁS QUE EL PRECIO PAGADO POR EL PRODUCTO; DE LA MISMA MANERA, LOS REMEDIOS DEL COMPRADOR O PRIMER USUARIO NO EXCEDERAN DICHO PRECIO. EN NINGÚN CASO SERÁ RESPONSABLE AMTROL POR NINGÚN DAÑO ESPECIAL, INDIRECTO, INCIDENTAL O CONSIGUIENTE, SEA RESULTADO DE LA FALTA DE ENTREGA O DEL USO, MAL USO O INCAPACIDAD PARA USAR EL PRODUCTO, NI POR DEFECTOS EN EL PRODUCTO NI POR NEGLIGENCIA PROPIA DE AMTROL, NI POR NINGÚN OTRO AGRAVIO. Esta exclusión es aplicable sin importar si se busca la reparación de dichos daños por incumplimiento de la garantía, incumplimiento de contrato, negligencia, responsabilidad estricta, bajo agravio o bajo cualquier otra teoría legal. Tales daños incluyen, sin estar limitados a, inconveniencia, pérdidas o daños materiales, moho, pérdidas de ganancias, pérdida de ahorros o ingresos, pérdida del uso de los productos o de cualquier equipo, instalaciones, edificios o servicios asociados, tiempo de baja, y las reclamaciones de terceros, incluyendo clientes.

¿Qué hacer si tiene un problema cubierto por esta garantía?

Cualquier servicio de garantía cubierto debe ser autorizado por AMTROL. Comuníquese con la persona que le vendió el producto, la cual **tiene** que recibir autorización de un distribuidor de AMTROL o de AMTROL mismo. Si no recibe una respuesta pronta, llame a AMTROL directamente al 877-517-9673. El distribuidor autorizado debe remitir el aviso de un reclamo de garantía a AMTROL a la siguiente dirección:

AMTROL, Inc.
Warranty Claim Dept.
1400 Division Rd.
W. Warwick, RI 02893

Antes de que AMTROL determine proveer partes o productos de repuesto, como condición previa para tal determinación podría requerir que el reclamante de la garantía envíe el producto, con porte prepagado, a un distribuidor autorizado de AMTROL, o a AMTROL, y que proporcione prueba de su compra, usando como evidencia el recibo original de compra o el registro del producto.

Garantía sobre los productos de reemplazo

En caso de que se reemplace un producto o componente, AMTROL se reserva el derecho de efectuar cambios al diseño, construcción y material de los componentes o productos de reemplazo, los cuales estarán sujetos a todos los términos y limitaciones de esta garantía, excepto que los periodos de garantía aplicables se reducirán en un tiempo igual al tiempo que el reclamante de la garantía haya sido el propietario del producto antes de remitir la notificación del reclamo de garantía.

3. LISTA DE VERIFICACIÓN PREINSTALACIÓN

PASOS Y DECISIONES IMPORTANTES QUE SE REQUIEREN TOMAR ANTES DE LA INSTALACIÓN

ESTE PRODUCTO DEBE SER INSTALADO Y MANTENIDO POR UN PROFESIONAL CERTIFICADO. ADEMÁS DE LAS INSTRUCCIONES CONTENIDAS EN ESTE MANUAL, CUMPLA CON TODOS LOS CÓDIGOS LOCALES Y ESTATALES APLICABLES O, SI NO LOS HUBIERA, CON LAS EDICIONES ACTUALES DEL CÓDIGO NACIONAL DE INSTALACIONES SANITARIAS Y EL CÓDIGO NACIONAL ELÉCTRICO.

BANDEJA RECOLECTORA Y DRENAJE: Con el fin de evitar fugas y daños materiales, instálese con una bandeja para goteo conectada a un drenaje que funcione apropiadamente y que se mantenga libre de obstrucciones en todo momento.

ADVERTENCIA PRESIONES MÁXIMAS DE OPERACIÓN

Todos los tanques hidroneumáticos WELL-X-TROL son probados a una presión manométrica de 150 lppc (10.55 Kg/cm²), que es la presión máxima de operación para la línea del WELL-X-TROL. Si las presiones excedieran la presión manométrica de 150 lppc (10.55 Kg/cm²), se debe considerar la selección y dimensionamiento de un WELL-X-TROL construido de acuerdo con las normas A.S.M.E.

ADVERTENCIA SE REQUIERE UNA VÁLVULA DE ALIVIO

Se debe instalar una válvula de alivio ajustada de modo que se abra cuando haya exceso de presión [presión manométrica de 125 lppc (8.75 Kg/cm²) o más]. Esto protegerá a su WELL-X-TROL y al resto de los componentes del sistema en caso de que el interruptor de presión falle y no pare la bomba. La válvula de alivio debería instalarse en la conexión de su WELL-X-TROL con las tuberías del sistema, y deberá tener una descarga equivalente a la capacidad de la bomba a una presión de 125 lppc (8.75 Kg/cm²).

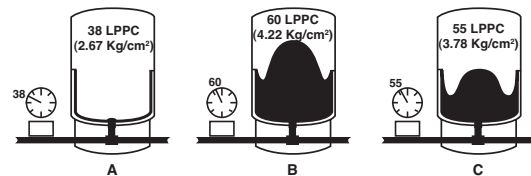
4. CÓMO FUNCIONA SU WELL-X-TROL

CARACTERÍSTICAS DE OPERACIÓN

El principio del WELL-X-TROL se basa en un diafragma mecánico sellado de trabajo pesado que permite la prepresurización de un colchón de aire antes de salir de la fábrica.

El agua es contenida en un recipiente rígido separado, moldeado de polipropileno, soportado por la carcasa de acero exterior y cubierto por un diafragma. Esto hace que el depósito de agua sea no corrosivo, ya que elimina el contacto del agua del sistema con metales ferrosos. EL WELL-X-TROL se embarca de la fábrica con su volumen total lleno de aire a una presión de precarga estándar. Al entrar el agua al WELL-X-TROL, el diafragma se flexiona, comprimiendo el colchón de aire y reduciendo su volumen en una cantidad equivalente al volumen del agua que entra. A medida que el volumen de aire disminuye, la presión en el WELL-X-TROL aumenta, de manera que siempre es igual a la presión ejercida por el agua. Dado que la presión del aire y la presión del agua siempre son iguales, el diafragma nunca está sujeto a un esfuerzo. Simplemente se flexiona o flota entre el agua y el aire. Cuando está apropiadamente dimensionado, el colchón de aire en el WELL-X-TROL va a tener volumen suficiente a la presión mínima (de arranque de la bomba) para permitir que el volumen de agua deseado entre al tanque de reserva de agua con el consiguiente aumento de presión dentro del rango de presión de operación especificado, según lo fijado por el interruptor de presión.

NOTA: Este es un ejemplo. Las presiones de precarga no siempre son de 38 lppc (2.67 Kg/cm²). Las presiones de apagado de la bomba no siempre son de 60 lppc (4.22 Kg/cm²).



- A. Colchón de aire precargado de fábrica. Bomba apagada.
- B. Al ponerse en marcha la bomba, el agua entra al depósito. Al llenarse el sistema a 60 lppc (4.22 Kg/cm²), la bomba se para.
- C. Cuando hay una demanda de agua, la presión en la cámara de aire fuerza el agua dentro del sistema. La bomba permanece apagada.

5. INSTRUCCIONES DE INSTALACIÓN

Conexión del sistema

Modelos en línea WX-101, 102, 103, 105 y 200

Los modelos en línea WX-101, 102 y 103 se instalan convencionalmente de manera directa a la tubería principal de suministro de agua, con una conexión de 3/4". Para el modelo WX-200 se usa un conector de 1".

Modelos verticales WX-201 a WX-350

Los modelos verticales WX-201 a WX-302 están equipados con un sistema de conexión con codo.

Los modelos WX-201, WX-202, WX-202XL y WX-203 tienen un codo de 1". Los modelos WX-205, WX-250, WX-251, WX-255, WX-252, WX-302 y WX-350 tienen un codo de 1 1/4".

Ubicación

Ubicación correcta del WELL-X-TROL

El WELL-X-TROL deberá instalarse lo más cerca posible al interruptor de presión. Con esto se reducirán los efectos adversos provocados por las pérdidas por fricción y por el rebote del interruptor de presión, así como por la diferencia de elevación entre el Well-X-Trol y el interruptor.

⚠ ADVERTENCIA ¡PELIGRO! RIESGO DE EXPLOSIÓN. SI DESPUÉS DE QUE EL WELL-X-TROL HA ESTADO EN SERVICIO, ES NECESARIO SUBIR SU PRESIÓN DEBIDO A UN CAMBIO REQUERIDO EN EL AJUSTE DEL INTERRUPTOR DE PRESIÓN, EL NO SEGUIR LAS INSTRUCCIONES SIGUIENTES PUEDE PROVOCAR UNA RUPTURA O EXPLOSIÓN, PROVOCANDO POSIBLES LESIONES PERSONALES GRAVES O FATALES, Y/O DAÑOS MATERIALES.

- NO AJUSTE O AUMENTE LA PRESIÓN SI HA HABIDO PÉRDIDA DE AIRE.
- NO AJUSTE LA PRESIÓN DE PRECARGA SI SE OBSERVA CORROSIÓN EN EL EXTERIOR.
- NO AJUSTE LA PRESIÓN DE PRECARGA SI HUBO ALGUNA REDUCCIÓN EN EL CICLO DE OPERACIÓN DE LA BOMBA O EN LA PRESIÓN DE PRECARGA, COMPARADA CON SU VALOR INICIAL. ESTO SE DEBE A QUE LA REDUCCIÓN EN EL CICLO DE OPERACIÓN DE LA BOMBA PUEDE SER CAUSADA POR UNA PÉRDIDA DE PRESIÓN DE AIRE DEL TANQUE, LO QUE A SU VEZ, PUEDE SER UN SÍNTOMA DE CORROSIÓN INTERNA, POR LO QUE CUALQUIER REPRESURIZACIÓN O PRESIÓN ADICIONAL PODRÍA PRODUCIR UNA RUPTURA O EXPLOSIÓN.

Ajuste de la precarga

Antes de la instalación

- Paso 1. Quite la tapa de protección de la válvula de aire.
- Paso 2. Verifique la presión de precarga (la presión debe ser +/- 10% del valor de fábrica).
- Paso 3. Libere o agregue aire, según sea necesario, para que la presión manométrica de precarga sea 2 lppc (0.14 Kg/cm²) menor que el ajuste del interruptor de presión para el arranque de la bomba. (Ejemplo, si se tiene un WX-202XL con una presión manométrica de precarga de 38 lppc (2.7 Kg/cm²) y el interruptor está ajustado a una presión manométrica entre 30 y 50 lppc (2.1 y 3.5 Kg/cm²), reduzca la precarga de su WX-202XL de 38 lppc (2.7 Kg/cm²) a 28 lppc (2 Kg/cm²).
- Paso 4. Vuelva a colocar la tapa de protección de la válvula de aire. Separe el reverso de la etiqueta y péguela en dicha tapa.



⚠ ADVERTENCIA Peligro de explosión. Si no se siguen estas instrucciones, puede suceder una ruptura o explosión que puede causar lesiones graves o fatales, inundación, y/o daños materiales.

Conexión del sistema

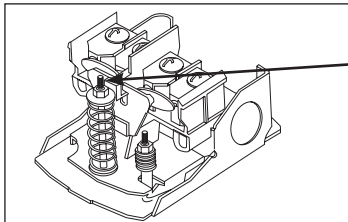
1. Coloque el WELL-X-TROL en su lugar definitivo.
2. Nivelélo según sea necesario.
3. Para eliminar las pérdidas por fricción, no coloque ninguna reducción en la tubería entre la bomba y el WELL-X-TROL.

Puesta en marcha

Procedimientos de ajuste fino

Muchas veces el punto de operación del interruptor de presión será diferente de la gama de presiones indicada. Estas variaciones pueden causar una demora momentánea en el suministro de agua, ya que el interruptor de presión no está "sintonizado con la presión de precarga del Well-X-Trol".

1. Llene el sistema y el WELL-X-TROL hasta que la bomba se detenga.
2. Abra uno o varios grifos para drenar el WELL-X-TROL.
3. Si hubiere alguna pausa momentánea en el flujo de agua entre el instante en que se vacíe el WELL-X-TROL y el momento en que se ponga en marcha la bomba, ajuste ligeramente el punto de arranque de la bomba en sentido horario (vea la figura 2).
4. Cierre los accesorios y vuelva a llenar el WELL-X-TROL hasta que la bomba se pare. Verifique el tiempo que hace falta para llenarlo.
5. Abra los accesorios y fíjese si se eliminó la pausa en el flujo de agua. Si no fuese así, siga ajustando el interruptor de presión.



Ajuste de la presión: para aumentar la presión de parada de la bomba gírelo en sentido horario; para reducir la presión de parada de bomba, gírelo en sentido antihorario.

Ajuste de la precarga después de la instalación

Paso 1. Drene toda el agua del tanque. Verifique la presión de precarga en el WELL-X-TROL.

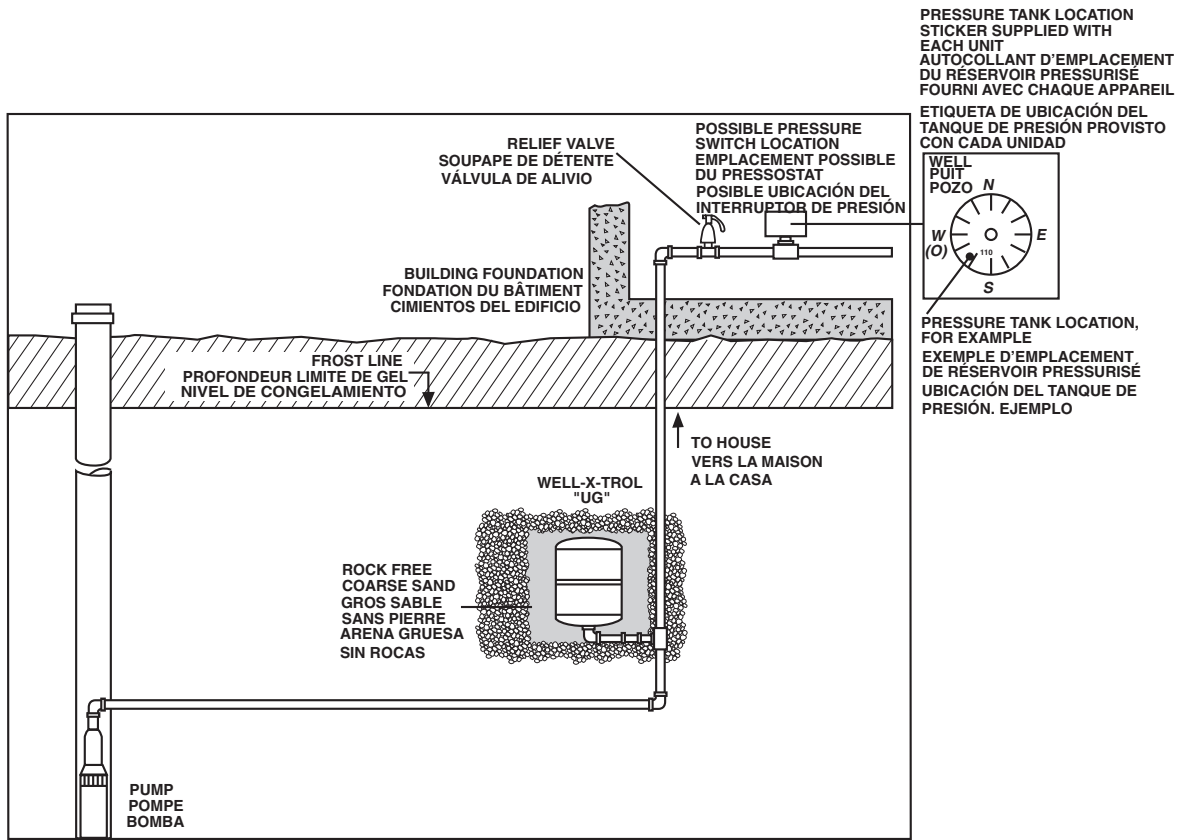
Paso 2. Libere o agregue aire, según sea necesario, para que la presión de precarga sea 2 lppc (0.14 Kg/cm²) menor que el ajuste del interruptor de presión para el arranque de la bomba.

Todos los "Tanques bajo tierra" WELL-X-TROL están diseñados para ser enterrados directamente y solamente se deben instalar en posición vertical. Para evitar el peligro de congelamiento, el tanque se debe enterrar debajo del nivel de congelamiento

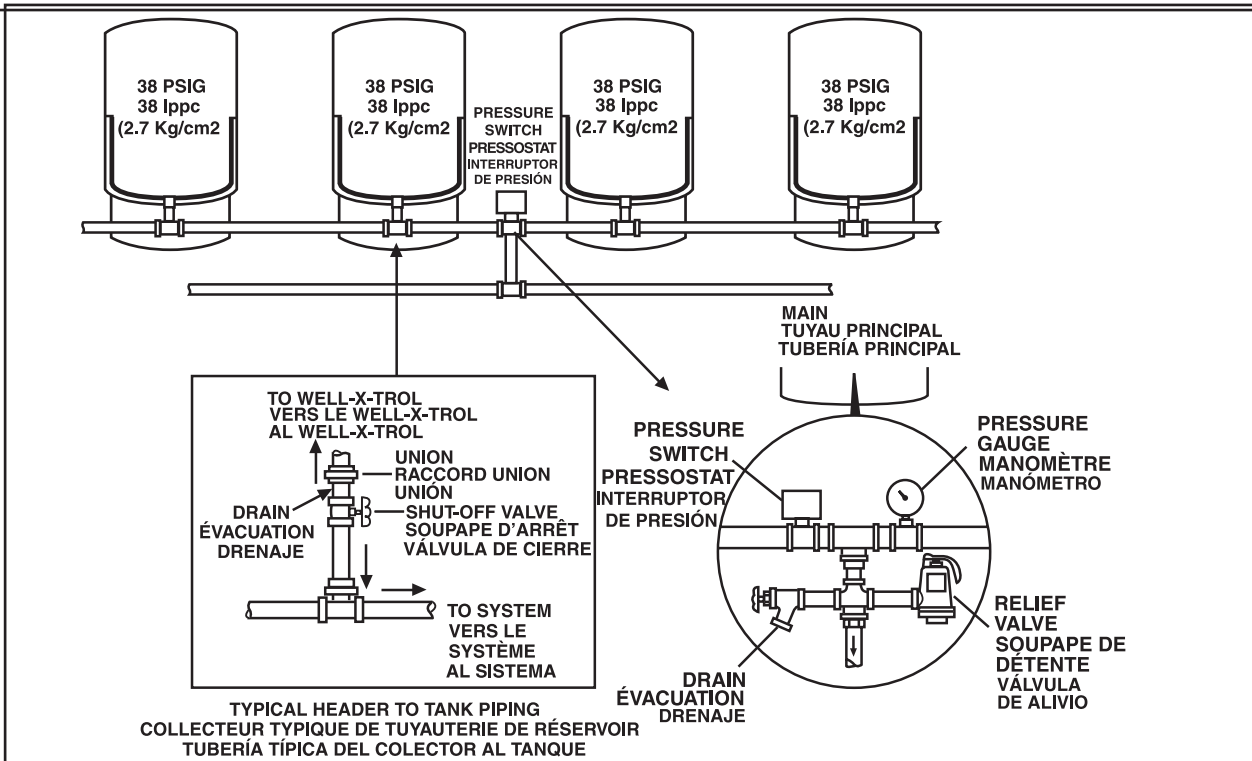
Al instalar un "Tanque bajo tierra" WELL-X-TROL, se deben seguir los siguientes pasos:

1. Cerciórese de que el tanque esté enterrado por debajo del nivel de congelamiento y por encima de la napa de agua.
2. Saque el envoltorio plástico y verifique la precarga del tanque. El valor de precarga de fábrica es de 38 lppc (2.7 Kg/cm²). Vuelva a colocar la tapa y ajústela firmemente. Siga el procedimiento de ajuste de precarga
3. Importante: instale el tanque sobre tierra firme sin rocas.
4. El diámetro de los tubos de agua entre la bomba al tanque y en el lugar donde se encontrará el interruptor debe ser igual, para evitar que el interruptor funcione erráticamente.
5. Verifique el rendimiento del sistema y fíjese que no haya pérdidas.
6. Importante: rellene el hueco con arena. Aprisione firmemente el relleno para evitar hundimientos. Si no se hace esto, se puede acortar la vida del tanque.
7. Complete la etiqueta de ubicación del tanque y péguela en el panel de alimentación u otra superficie visible, para facilitar la ubicación de dicho tanque en el futuro.

6. UNDERGROUND INSTALLATION INSTALLATION SOUTERRAINE INSTALACIÓN BAJO TIERRA

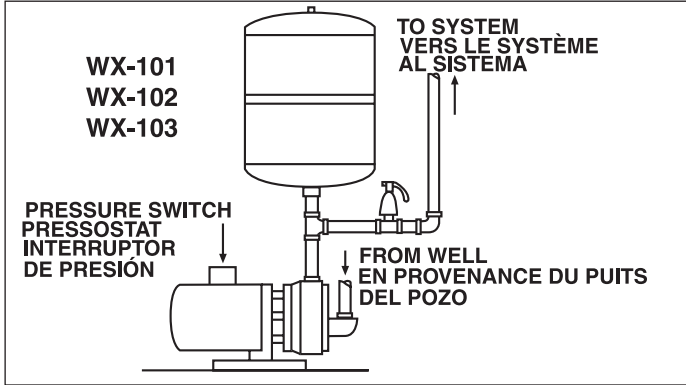


7. MANIFOLD INSTALLATIONS INSTALLATIONS À RAMPE DE DISTRIBUTION INSTALACIÓN DE COLECTORES

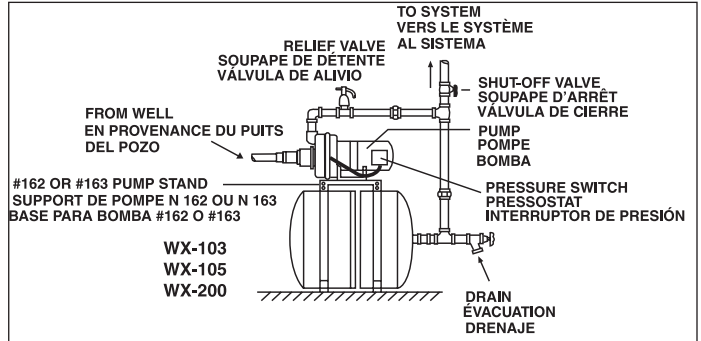


8. RECOMMENDED INSTALLATIONS INSTALLATIONS RECOMMANDÉES INSTALACIONES RECOMENDADAS

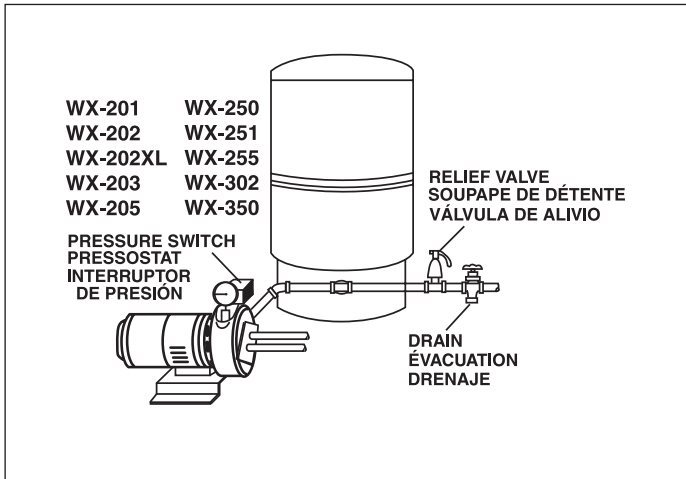
WX-100 Series WELL-X-TROL with tank mounted at jet pump.
WELL-X-TROL série WX-100 avec réservoir monté sur pompe à jet.
WELL-X-TROL serie WX-100, con tanque montado en la bomba de chorro.



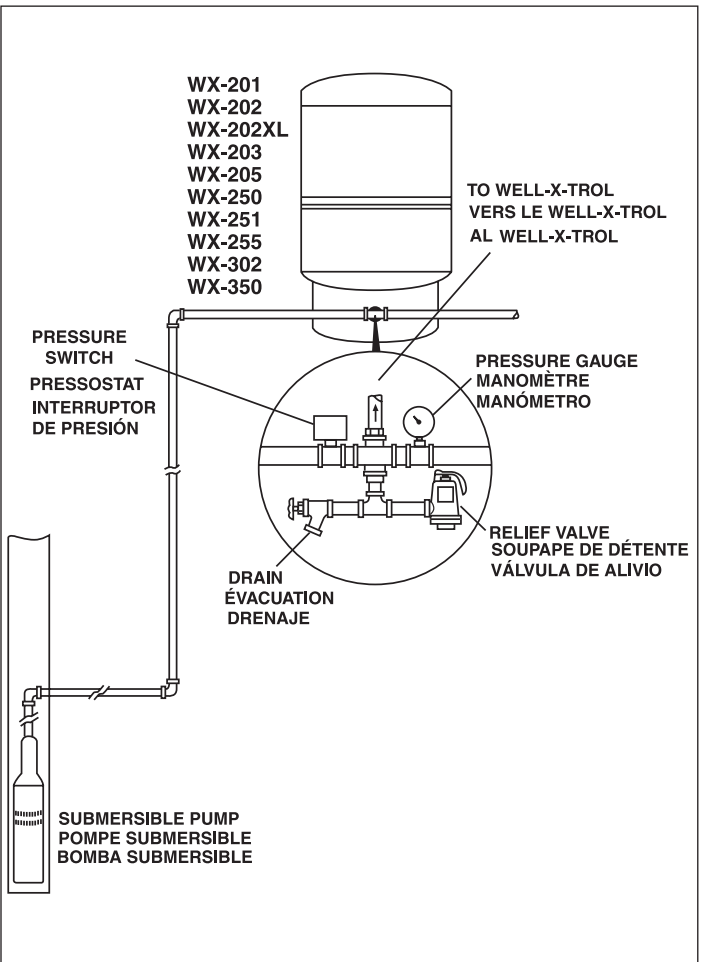
WX-103 or WX-200 with pump stand. WX-200 with pump stand mounting jet pump.
WX-103 ou WX-200 avec le support de pompe. WX-200 avec le support de pompe et le montage de pompe à jet.
WX-103 o WX-200 con base para bomba. WX-200 con base para bomba a chorro.



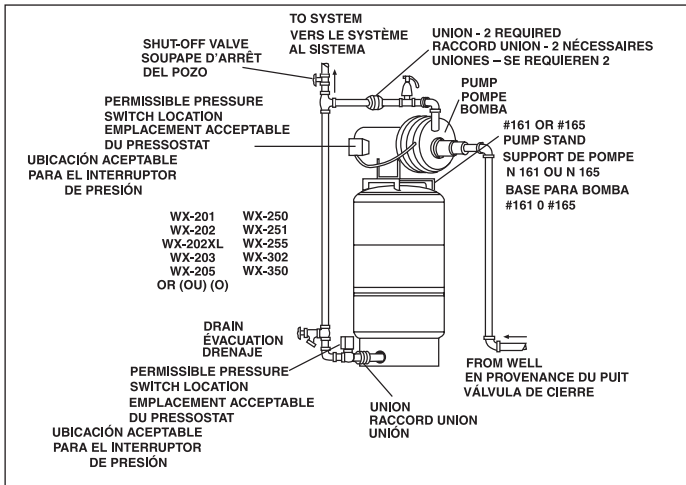
WX-201 through WX-350 WELL-X-TROL installed on-line with jet pump.
WELL-X-TROL WX-201 à WX-350, installé en ligne avec la pompe à jet.
WELL-X-TROL WX-201 a WX-350 instalado en línea con una bomba de chorro



WX-201 through WX-350 WELL-X-TROL installed on-line using submersible pump.
WELL-X-TROL WX-201 à WX-350, installé en ligne avec pompe submersible.
WELL-X-TROL WX-201 a WX-350, instalado en línea usando una bomba sumergible.



WX-201 through WX-350 WELL-X-TROL use pump stand.
WELL-X-TROL WX-201 à WX-350 utilisant le support de pompe.
WELL-X-TROL WX-201 a WX-350, usando base para bomba.



SERVICE RECORD

REGISTRE D'ENTRETIEN

REGISTRO DE SERVICIO

DATE DATE FECHA	SERVICE PERFORMED ENTRETIEN EFFECTUÉ SERVICIO REALIZADO	COMMENTS COMMENTAIRES COMENTARIOS	CONTRACTOR ENTREPRENEUR CONTRATISTA

Model Number / Numéro de modèle / Modelo _____

GPM Flow from Well / Débit (gallons/minute) du puits / Flujo del pozo en GPM _____

Pump cut in / Activation de la pompe / Arranque de la bomba _____

Pump cut out / Arrêt de la pompe / Parada de la bomba _____

Tank pre-charge / Charge initiale du réservoir / Precarga del tanque _____

