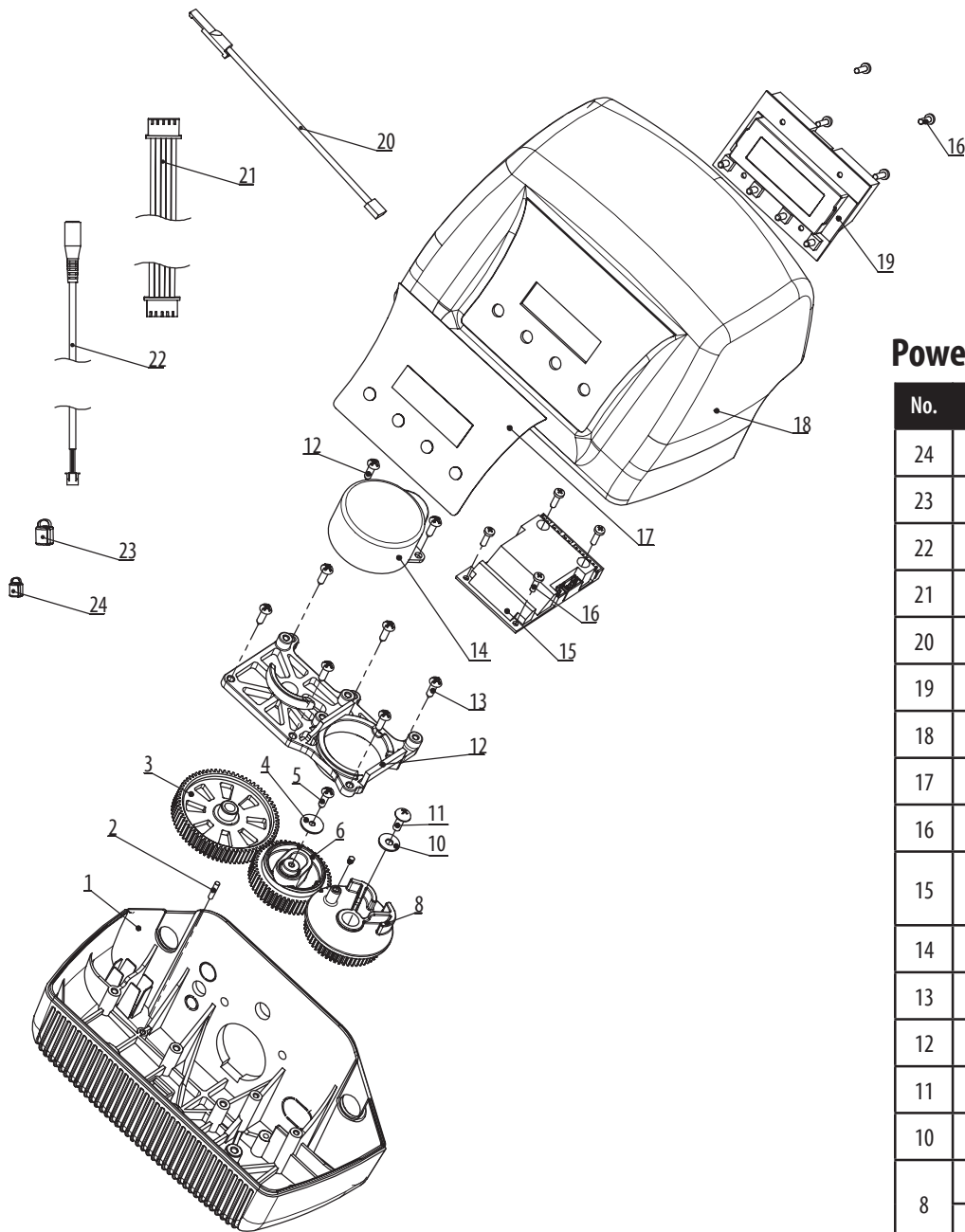


PARTS BREAKDOWN



Power head parts list

No.	Part #	Description	Qty
24	60010331	Power Cable Clip	1
23	60010330	Meter Cable Clip	1
22	60010124	Power Cable	1
21	60010240	Display-PCB cable	1
20	60010115	Meter Cable	1
19	60010180	Bnt85HE Display	1
18	60010321	Bnt185 Housing(Almond)	1
17		BNT185HE Face Label	1
16	60010673	Screw-ST2.9×10	8
15	60010178	Bnt85HE Main Pcb,Red (UF)	1
	60010179	85HE, Rear PCB, Blue DF	1
14	92393	Bnt85 Motor	1
13	60010574	Screw-ST3.5x13	8
12	60010573	Bnt85HE Mounting Plate	1
11	60010575	Screw-4.2×12	1
10	60010661	Washer-4x12	1
8	60095102	Gear, Brine, 85HE(UF)	1
	60095103	Gear, Brine, 85HE(DF)	
6	92391	Bnt85HE Main Gear	1
5	60010099	Screw-2.9×13	1
4	60010100	Washer-3x13	1
3	92389	Bnt85 Drive Gear	1
2	60095658	Motor Pin	1
1	60010347	Bnt185 Base(Almond)	1