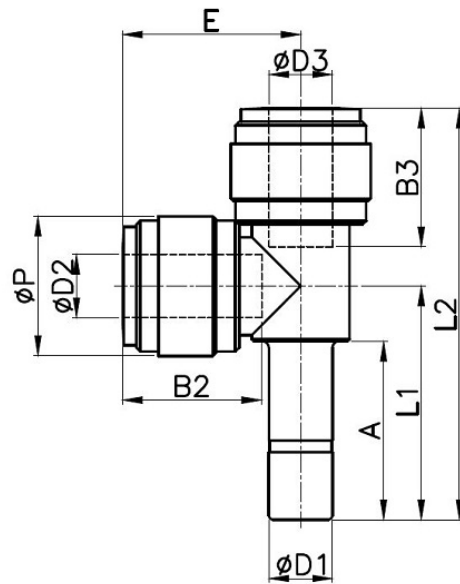


# Run Stem Tee

YOUR PLUMBING'S BEST CONNECTION

**neofit**

www.neologicsolutions.com



Pressure Ratings			
	< 5/16"	3/8"	1/2"
33 °F	290 psi	232 psi	203 psi
68 °F	290 psi	232 psi	203 psi
150 °F	232 psi	203 psi	116 psi

Model	ØD1	ØD2	ØD3	ØP	L1	L2	E	A	B2(TUBE DEEP)	B3 (TUBE DEEP)	WEIGHT (g)
ATRUZ5Z5Z5	5/32	5/32	5/32	0.520	0.925	1.622	0.697	0.709	0.579	0.579	4.5
ATRU444	1/4	1/4	1/4	0.610	1.063	1.890	0.827	0.827	0.665	0.665	6.4
ATRU555	5/16	5/16	5/16	0.693	1.161	2.047	0.886	0.886	0.689	0.689	9.1
ATRU666	3/8	3/8	3/8	0.787	1.307	2.327	1.020	0.976	0.795	0.795	12.7
ATRU868	1/2	3/8	1/2	0.929	1.551	2.831	1.248	1.161	0.795	0.988	22.2
ATRU888	1/2	1/2	1/2	0.929	1.551	2.831	1.280	1.161	0.988	0.988	20.7