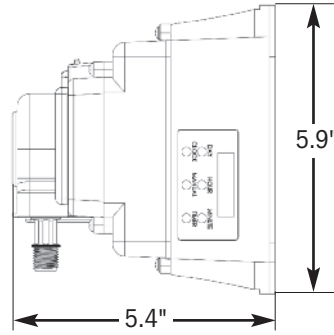
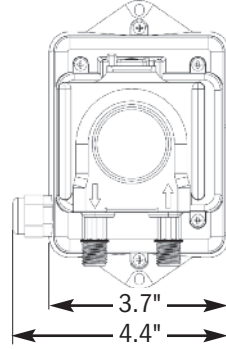


ECON SERIES T SPECIFICATIONS

STENNER PUMPS



SHIPPING WEIGHT 4 lbs (1.8 kg)




USA
 THIS PUMP IS TESTED AND CERTIFIED BY WQA ACCORDING TO NSF/ANSI 61 FOR CONTACT WITH SODIUM HYPOCHLORITE AND WATER ONLY AND NSF/ANSI 372.


LISTED
 METERING PUMP
 4TF1

OUTPUT CONTROL

24-hr programmable clock; 7 day, 24 event timer

MAXIMUM WORKING PRESSURE

80 psi (5.5 bar)

E10T1F, E10T2F, E20T4F, E20T4G, E20T4H

25 psi (1.7 bar)

E10T1A, E10T2A, E10T2B, E10T2C

MAXIMUM OPERATING TEMPERATURE

104° F (40° C)

MAXIMUM SUCTION LIFT

25 ft (7.6 m) vertical lift, based on water

MOTOR TYPE 24 VDC, brushed

APPROXIMATE SHAFT RPM 9, 18 or 40

DUTY CYCLE Continuous

MOTOR VOLTAGE (AMP DRAW) 120V 60Hz (0.17)

POWER CORD TYPE STP-2W

POWER CORD PLUG END

Wall adapter power supply 100-120V, 60Hz 0.25 input, two prong polarized 24VDC, 1.25A, class II output

MATERIALS OF CONSTRUCTION

All Housings Polycarbonate

Pump Tube & Check Valve Duckbill

Santoprene™, FDA approved

Pump Head Rollers Polyethylene

Suction/Discharge Tubing, Ferrules

Polyethylene, FDA approved

Tube Fittings Polypropylene, NSF listed

Check Valve Fittings

Type 1 Rigid PVC, NSF listed

Connecting Nuts PP or Type 1 Rigid PVC

Suction Line Strainer PP or Type 1 Rigid PVC body with Type 1 Rigid PVC cap, NSF listed; ceramic weight

All Fasteners Stainless steel

* Santoprene™ is a registered trademark of Exxon Mobil Corporation.

ACCESSORY KIT SHIPPED WITH EACH PUMP

3 connecting nuts 1/4"

3 ferrules 1/4" or 6 mm *Europe*

1 injection check valve 80 psi (5.5 bar)
OR 1 injection fitting 25 psi (1.7 bar)

1 weighted suction line strainer 1/4"

1 20' roll suction/discharge tubing

1/4" white or UV black

OR 6 mm white *Europe*

1 additional pump tube

1 manual

OUTPUT

Item Number Prefix	Pump Tube	Roller Assembly	Gallons per Day	Gallons per Hour	Ounces per Hour	Ounces per Minute	Pressure psi	Liters per Day	Liters per Hour	Milliliters per Hour	Milliliters per Minute	Pressure bar
E10T1F*	F	White	0.6	0.02	3.0	0.05	80	2.2	0.09	90.0	1.50	5.5
E10T2F*	F	White	1.3	0.05	6.6	0.11	80	4.8	0.20	198.0	3.30	5.5
E20T4F*	F	White	3.4	0.14	18.0	0.30	80	13.1	0.54	544.8	9.08	5.5
E20T4G*	G	Black	12.3	0.51	65.4	1.09	80	46.5	1.94	1937.4	32.29	5.5
E20T4H*	H	Black	21.7	0.90	115.2	1.92	80	82.0	3.41	3416.4	56.94	5.5
E10T1A	A	White	2.5	0.10	13.2	0.22	25	9.5	0.39	396.0	6.60	1.7
E10T2A	A	White	5.0	0.21	26.4	0.44	25	18.9	0.79	786.0	13.10	1.7
E10T2B	B	White	8.5	0.35	45.6	0.76	25	32.2	1.34	1338.0	22.30	1.7
E10T2C	C	White	15.0	0.63	79.8	1.33	25	56.8	2.37	2364.0	39.40	1.7
Approximate Maximum Outputs @ 50/60Hz												

* Injection check valve included with pumps rated 80 psi (5.5 bar)



NOTICE: The information within this chart is solely intended for use as a guide. The output data is an approximation based on pumping water under a controlled testing environment. Many variables can affect the output of the pump. Stenner Pump Company recommends that all metering pumps undergo field calibration by means of analytical testing to confirm their outputs.

This information is not intended for specific application purposes. Stenner Pump Company reserves the right to make changes to prices, products, and specifications at any time without prior notice.

FETSPEC 0313



STENNER PUMP COMPANY

Jacksonville, Florida USA

www.stenner.com

© Stenner Pump Company All Rights Reserved