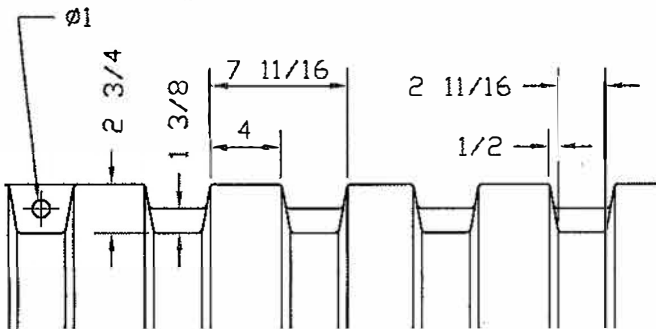
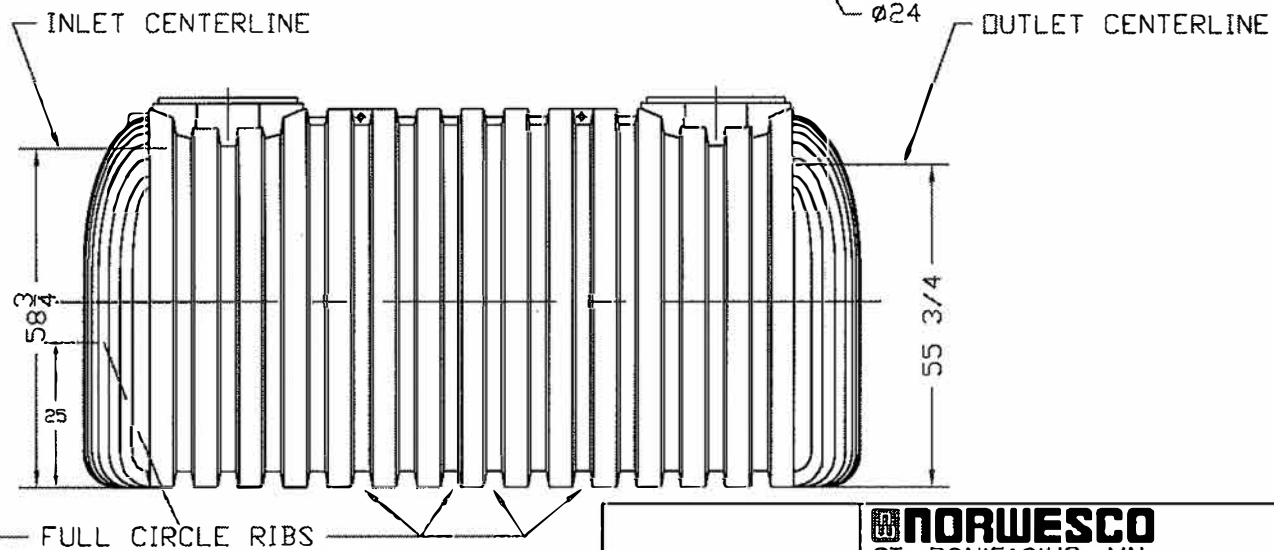
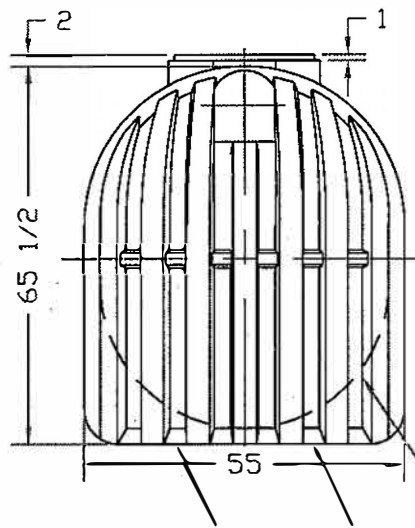
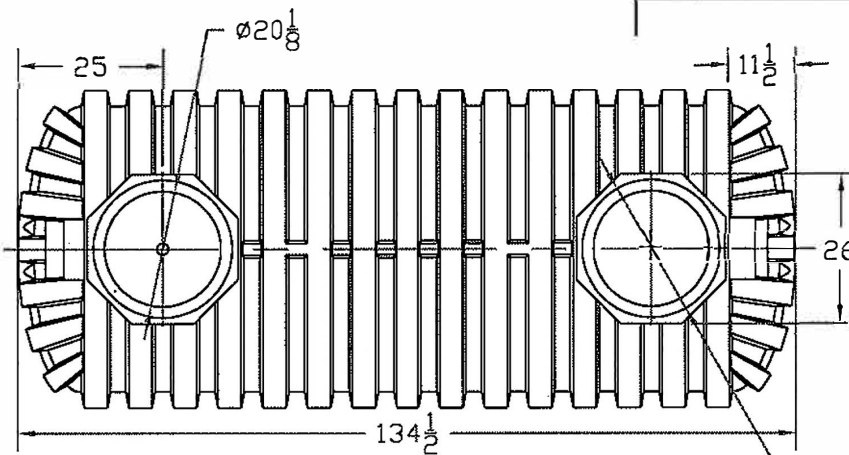


REVISIONS				
ZONE	REV	DESCRIPTION	DATE	APPROVED
	A	WAS 40278	03 JUN 02	



RIB DIMENSIONS
1/8 SCALE



					ST. BONIFACIUS, MN 1700 GALLON BELOW GROUND CISTERN
JTP	18MAY00	SIZE B	FSCM NO.	DWG NO. 41330 (A)	REV
SCALE 1/24				SHEET	