

Accumulator/Pulsation Dampener Tank Installation & Maintenance Manual

Part Number-RACT820-NPT, RACT820-JG

The REMCO Accumulator/Pulsation Dampener Tank is a bladder type pressure storage vessel device designed to hold water under pressure. The tank provides additional water storage to assist a pump in meeting total demands of the system. It extends pressure switch-controlled pump life by reducing pump on/off pulsation known as pump cycling.

Note: This product is not for use with REMCO AQUAJET variable speed pumps. It will cause the AQUAJET to continue to run after the water flow is turned off and build extreme pressures that could cause leaks or broken water pipes.

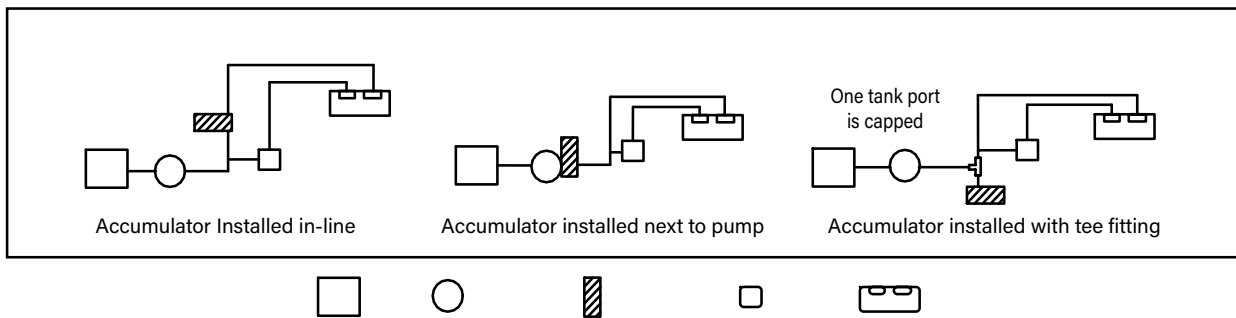
The Accumulator/Pulsation Dampener Tank is factory set at 20 psi for long term storage, shipping or during non-system use.

Installation Procedure

The Accumulator/Pulsation Dampener Tank can be mounted in any position. For complete sanitizing or winterizing, the recommended mounting position is with the pre-charge valve stem up. The hard rubber mounting bracket has 2 holes for mounting to a hard surface with #10 screws or bolts. Do not freeze or mount near a heat source.

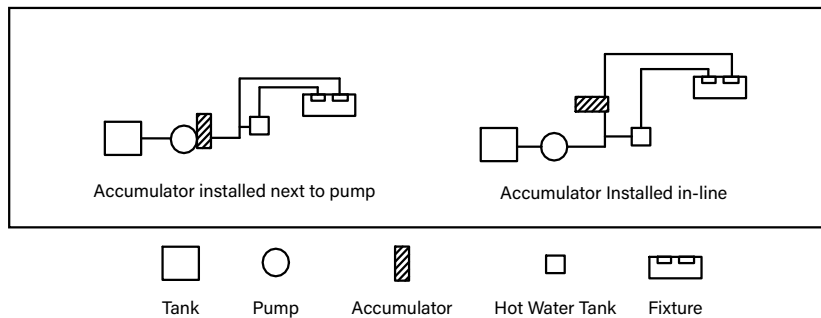
The RACT820-NPT has two 1/2" MNPT fittings. It is recommended that the connections are high pressure braided or flexible hose to minimize vibration and noise. The tank can be plumbed with a single line capping the opposite connection or through mounted in the plumbing system. See mounting diagrams in figure 1.

Figure 1:



The RACT820-JG has 2 John Guest 3/8" push connect fittings. This tank can only be mounted with through connections. See diagrams in figure 2.

Figure 2:



It is recommended the pre-charge be checked annually or anytime the accumulator does not appear to be functioning properly. Temperature and altitude changes can affect the accumulator pressure and performance. Use any standard tire pressure gauge to check pressure.

The most efficient way to use the accumulator occurs with the pre-charge set at the same pressure as the pumps pressure switch turn on pressure. Typically a 45 PSI pump will turn on at 30 psi therefore the pre-charge should be at 30 psi. The pre-charge must be set in a static condition (pump off and one fixture open) and pressure adjusted to the correct pump turn on pressure.

Winterizing

To winterize, drain all water from the system. Blow the system out with low air pressure or add potable water anti-freeze.

Warning! Never use automotive antifreeze. Death or severe injury can occur.

Testing

Check air pressure with pump off and one or more faucets open (no water in system) and adjust pressure as needed. If the accumulator leaks water from the air valve or does not hold pressure, unit must be replaced.

Note: There are no replacement parts or kits for this accumulator. If it is not working it must be removed or replaced.

Troubleshooting Guidelines

DOES NOT FUNCTION PUMP CYCLES RAPIDLY:

- Check air pressure, add or remove air as necessary

WATER LEAKS FROM VALVE:

- Internal diaphragm is torn or has a hole in it, replace accumulator.

DOES NOT HOLD AIR PRESSURE:

- Air Valve loose, Screws loose, internal diaphragm is torn or has a hole in it, replace accumulator

LEAKS FROM FITTINGS OR PORTS:

- Check to be sure fitting connections are tight.

Specifications

Maximum Working Pressure: 125 psi

Factory Pre-charge Pressure: 20 psi

Total liquid volume: 20 fluid oz.

Diameter: 4-1/8"

Length: 8-7/8"

Listings: NSF, CSA

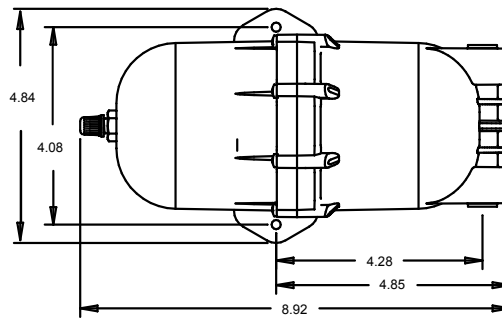
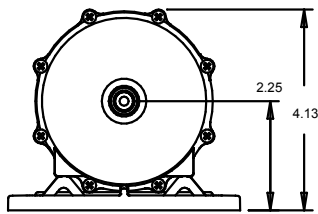
Housing Material: Nylon

Bladder Material: Butyl

Ports: 1/2" MNPT or 3/8" John Guest female push connectors

Mounting Bracket: 2 holes 3/16" diameter, 4-1/8" center to center apart

Dimensional Drawings (inches)



Warranty

REMCO warrants its products to be free from defects in material and workmanship on all products sold by REMCO for resale or for use in purchasers' own business or original equipment manufacturer. Under normal use, maintenance and service (rental use excluded) the following terms apply: For all REMCO products, the warranty will last for a period of one year from date of manufacture, or (1) year use with proof of purchase, not to exceed (2) years in any event. REMCO's obligation under this warranty shall be limited to replacing or repairing at REMCO's discretion, any such product or part which must be returned to REMCO's factory with a Return Material Authorization Number (RMA), transportation charges approved by REMCO or prepaid, and which upon examination, is found to REMCO's satisfaction to have been defective under the terms of this warranty. No credit will be allowed against future purchases for items returned as defective under the terms of REMCO's warranty. This warranty does not extend to any products, which have been altered or modified outside the REMCO factory, to any products that have not been properly maintained, nor does it apply to units that are returned in an unassembled condition. Furthermore, the warranty does not extend to pumps that are non-compliance with REMCO's Engineering Standards. This includes, but is not limited to, pumps ordered without an integral pressure control mechanism. The warranty guarantees that products will perform to REMCO's flow and pressure

specifications throughout the life of the warranty. The warranty does not cover wear, appearance, misuse, abuse, misapplication or external water damage. If the returned product is found not to be defective under the conditions of this warranty, a charge will be made for repair or replacement.

Brush wear may be limited to 1000 hours or less.

This is a Limited Warranty. It covers the product only and the extent of the coverage is limited to the cost of the product. As the manufacturer has no control over shipping, handling and installation, the warranty cannot cover water damage, or any other damage, caused by a leak or other malfunction.

THIS WARRANTY IS IN LIEU OF ALL WARRANTIES, EXPRESSED OR IMPLIED, INCLUDING IMPLIED WARRANTIES OR WARRANTIES OF MERCHANTABILITY AND/OR FITNESS FOR A PARTICULAR PURPOSE. NO PERSON IS AUTHORIZED TO GIVE ANY OTHER WARRANTY OR ASSUME OBLIGATION OR LIABILITY ON REMCO'S BEHALF. REMCO SHALL NOT BE LIABLE FOR ANY INDIRECT, INCIDENTAL, PUNITIVE OR CONSEQUENTIAL DAMAGES OF ANY KIND INCURRED BY THE REASON OF THE USE OR SALE OF ANY DEFECTIVE PRODUCT AND PART. THIS WARRANTY SHALL BE GOVERNED BY THE LAWS OF THE STATE OF MINNESOTA, WITH ANY DISPUTE OR CLAIM VENUED OR HEARD IN THE STATE OF MINNESOTA.

⚠ WARNING:
Cancer and Reproductive Harm
WWW.P65WARNINGS.CA.GOV