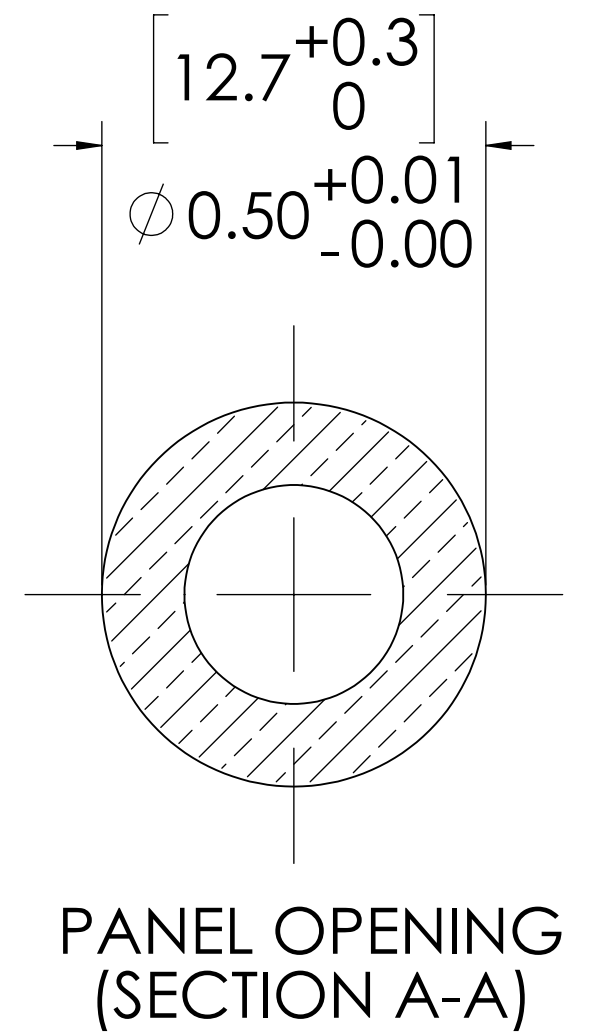
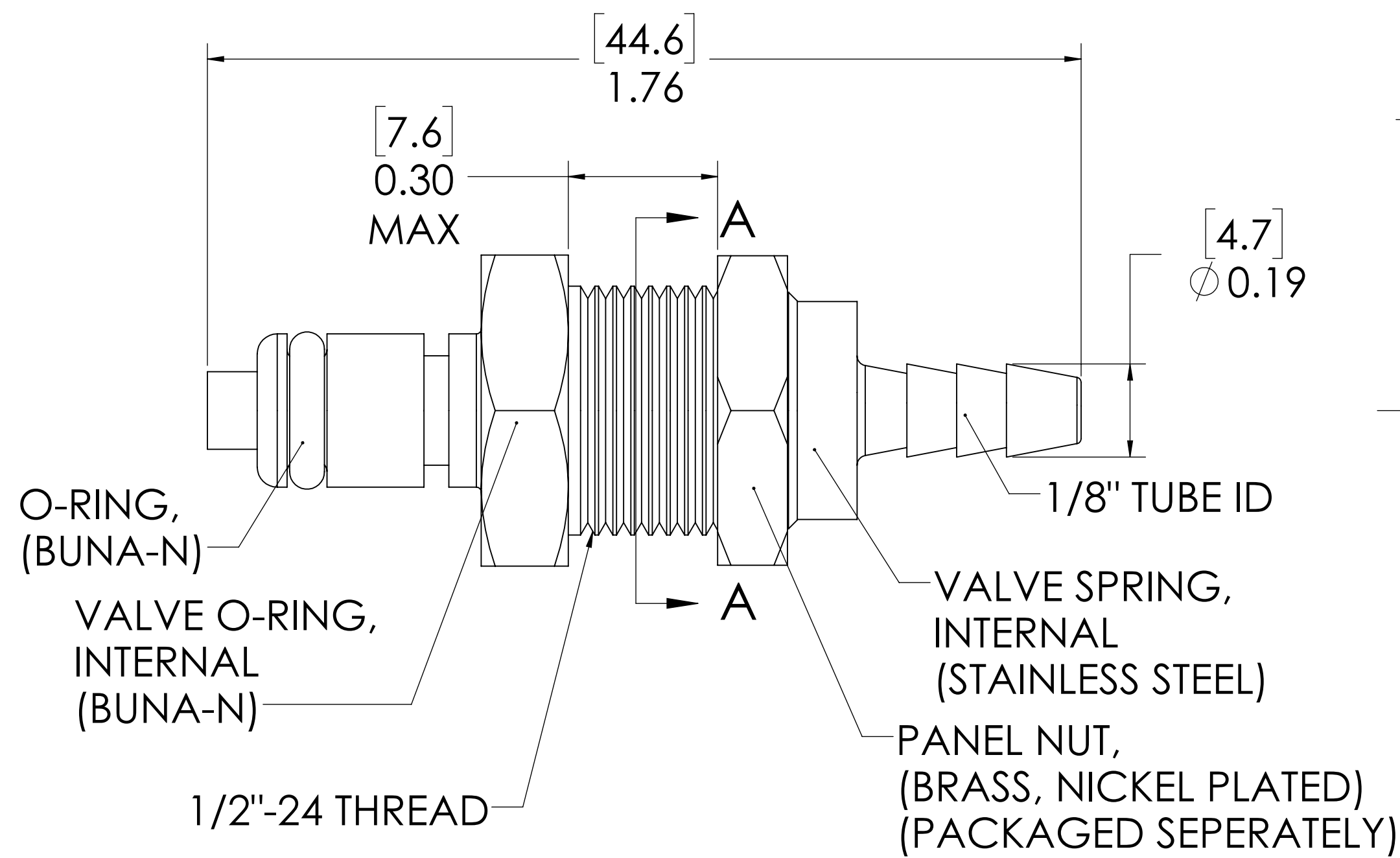
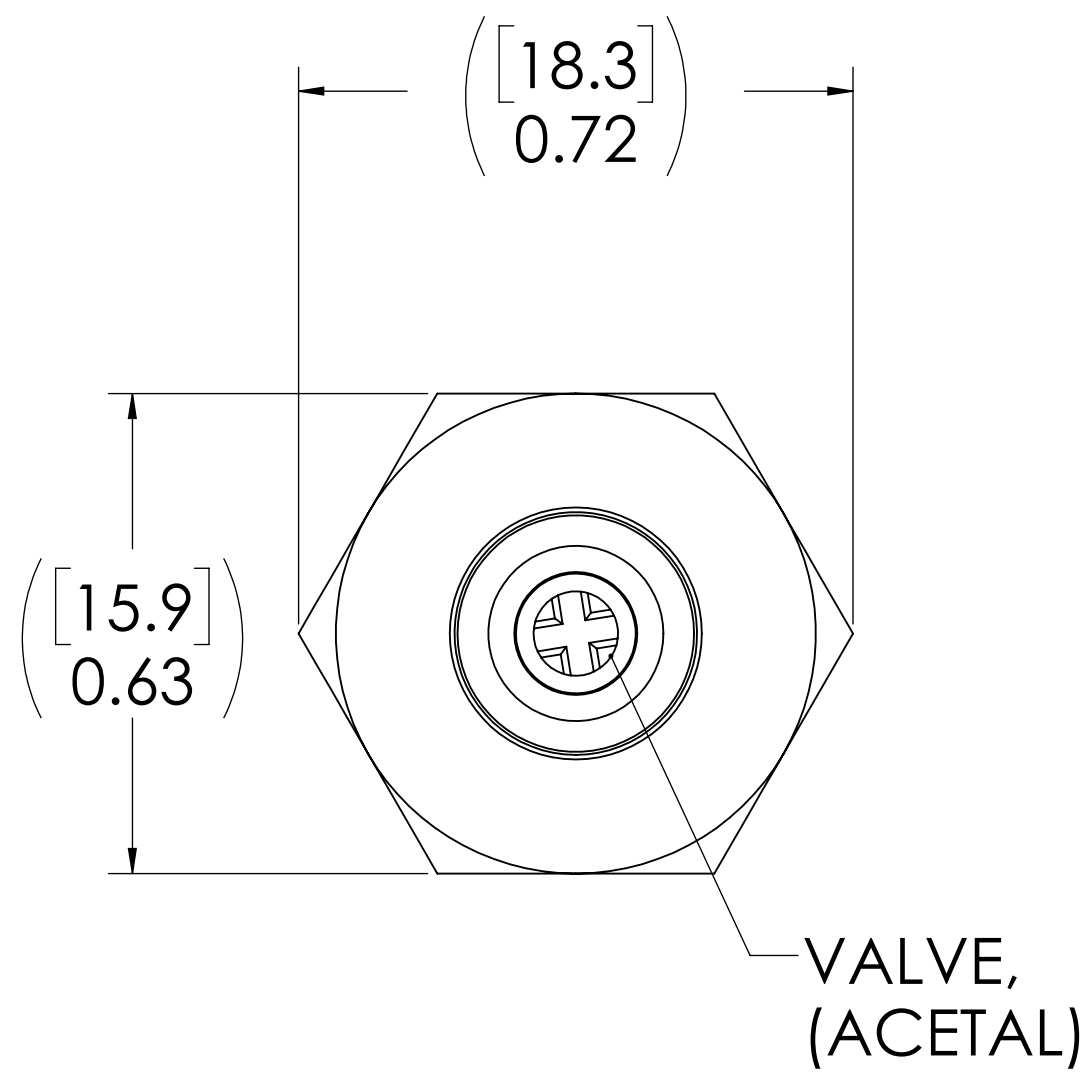
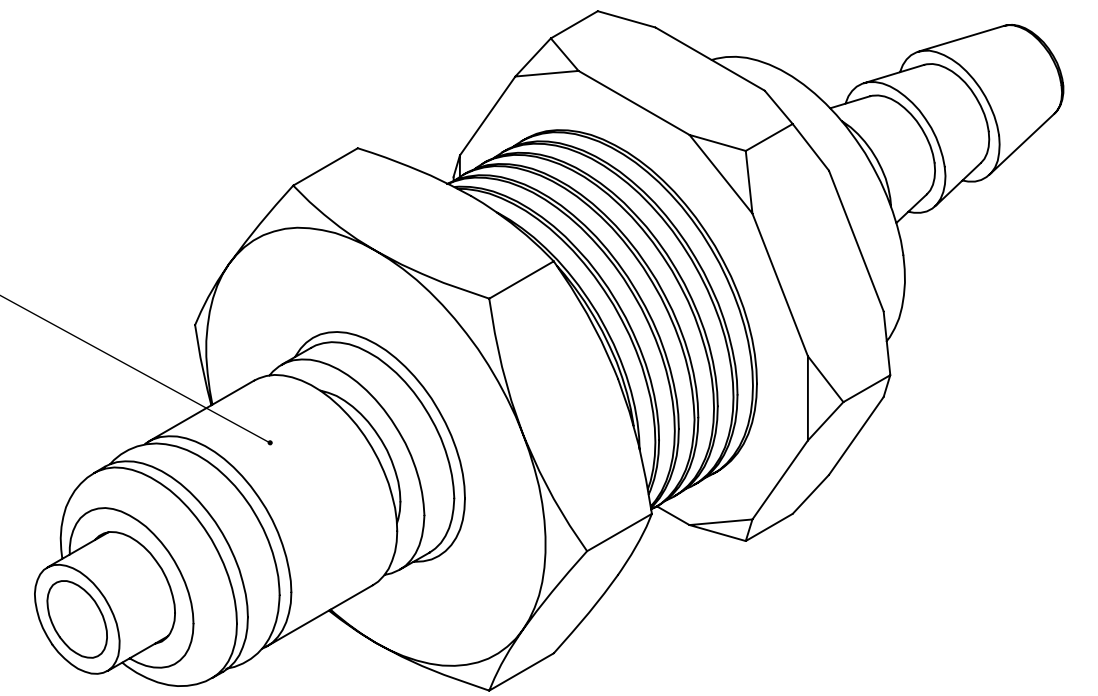


REVISIONS						
SHEET	ZONE	REV.	ECO	DESCRIPTION	DATE	APPROVED
1	ALL	B	50253	DRAFTING UPDATE	8/18/2017	HRC

PLUG,  
(BRASS, NICKEL AND  
CHROME PLATED)



**NOTES:**

- MATERIAL: BRASS
- FINISH: CHROME
- O-RING MATERIAL: BUNA-N
- O-RINGS LUBRICATED WITH FOOD GRADE SILICONE OIL, 350 CST.

**FOR REFERENCE ONLY**

<small>UNLESS OTHERWISE SPECIFIED: DIMENSIONS ARE IN INCHES TOLERANCES: FRACTIONAL ± 1/32 ANGULAR: MACH ± 0.5 BEND ± 2 ONE PLACE DECIMAL ± 0.1 TWO PLACE DECIMAL ± 0.01 THREE PLACE DECIMAL ± 0.005 TWO PLACE DUAL (mm) [± 0.12]</small>	DRAWN	DHJ	6/19/09	
	CHECKED	HRC	1/11/11	
	ENG APPR.	HRC	8/18/17	
	MFG APPR.	BDB	8/18/17	
<small>PROPRIETARY AND CONFIDENTIAL THE INFORMATION CONTAINED IN THIS DRAWING IS THE SOLE PROPERTY OF LINKTECH LLC. ANY REPRODUCTION OR DISCLOSURE IN PART OR AS A WHOLE WITHOUT THE WRITTEN PERMISSION OF LINKTECH LLC IS STRICTLY PROHIBITED.</small>	Q.A.	JJB	8/18/17	PART NO: 20CBV-PB3-02 DESCRIPTION: <b>LinkTech 20CB Series Panel Mt. Male, Valved, 1/8" HB, Chrome Brass</b>
SIZE DWG. NO. REV <b>C 20CB200026 B</b>		SCALE: NTS WEIGHT: SHEET 1 OF 1		