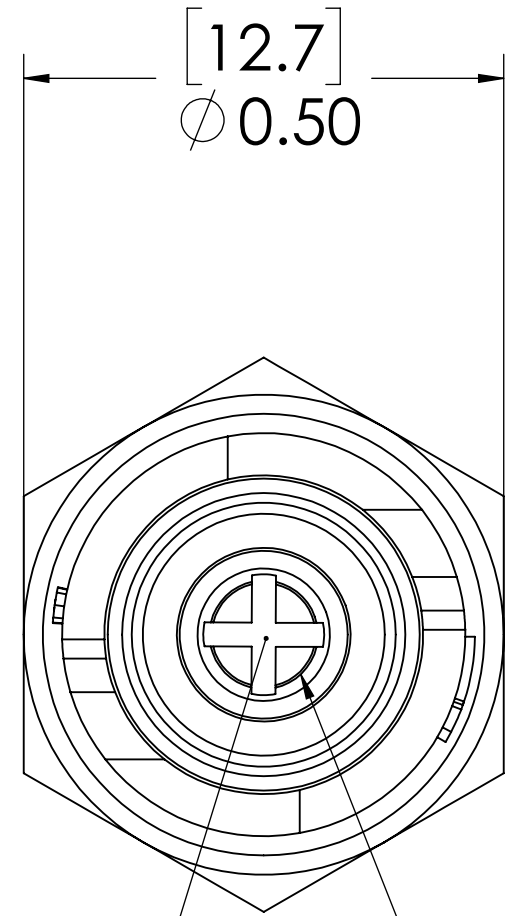
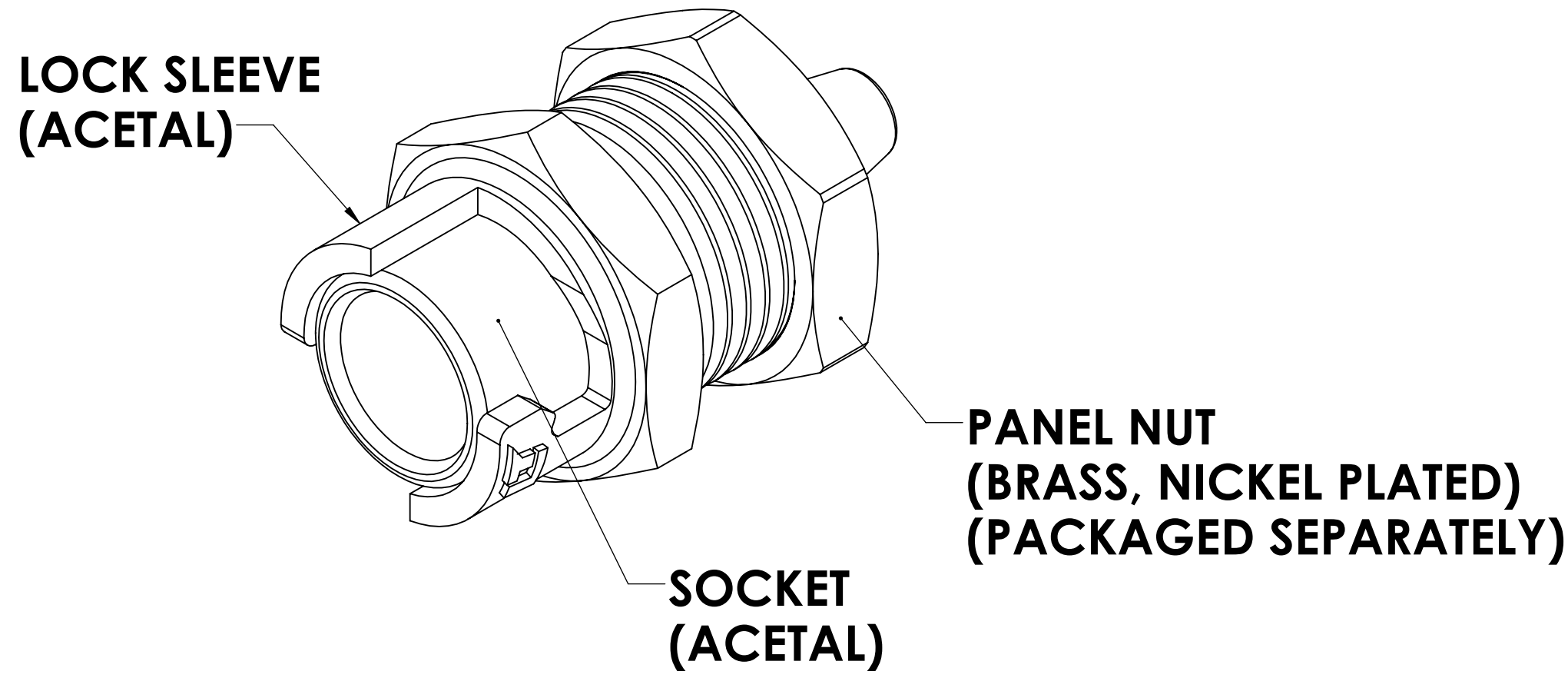
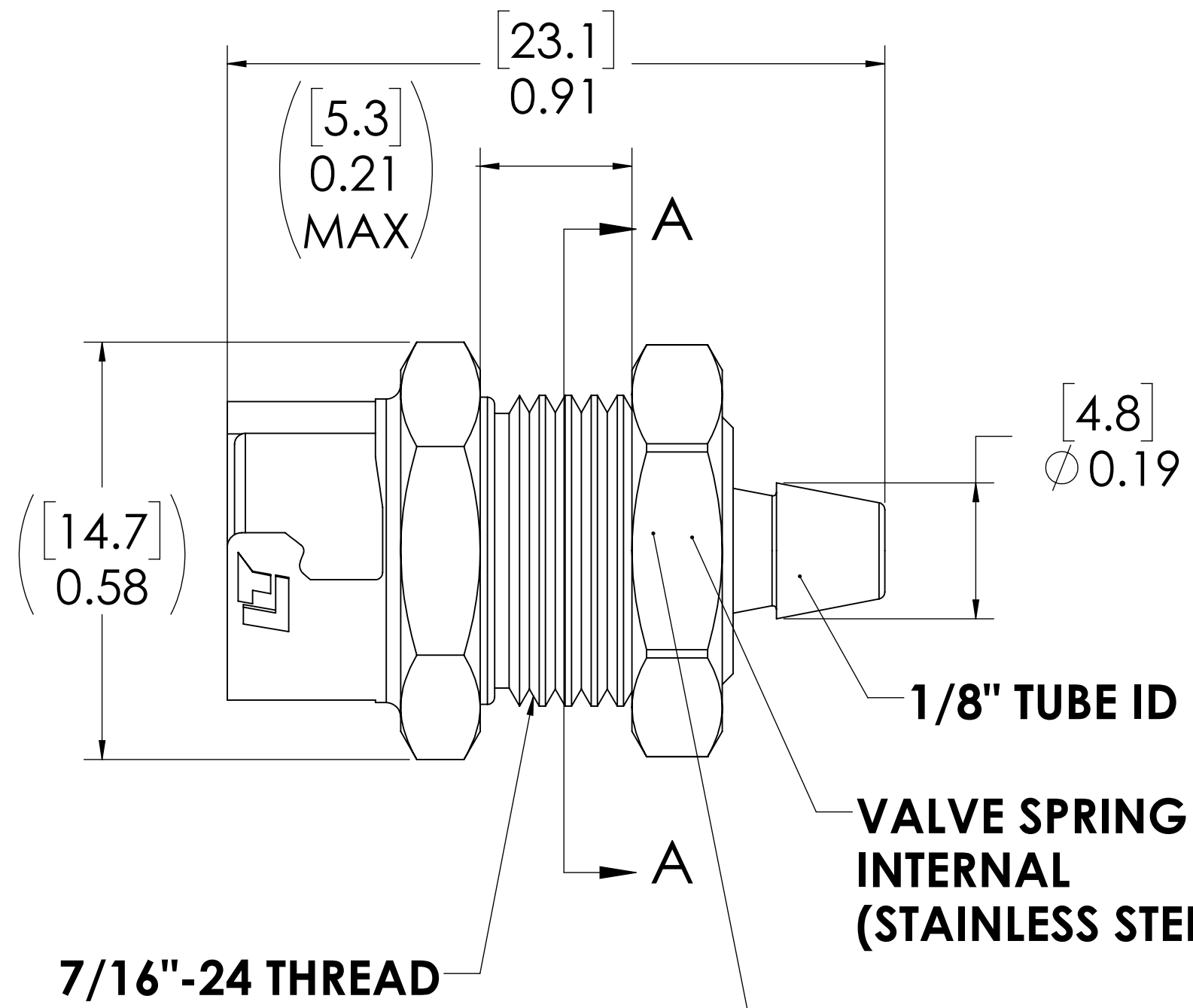


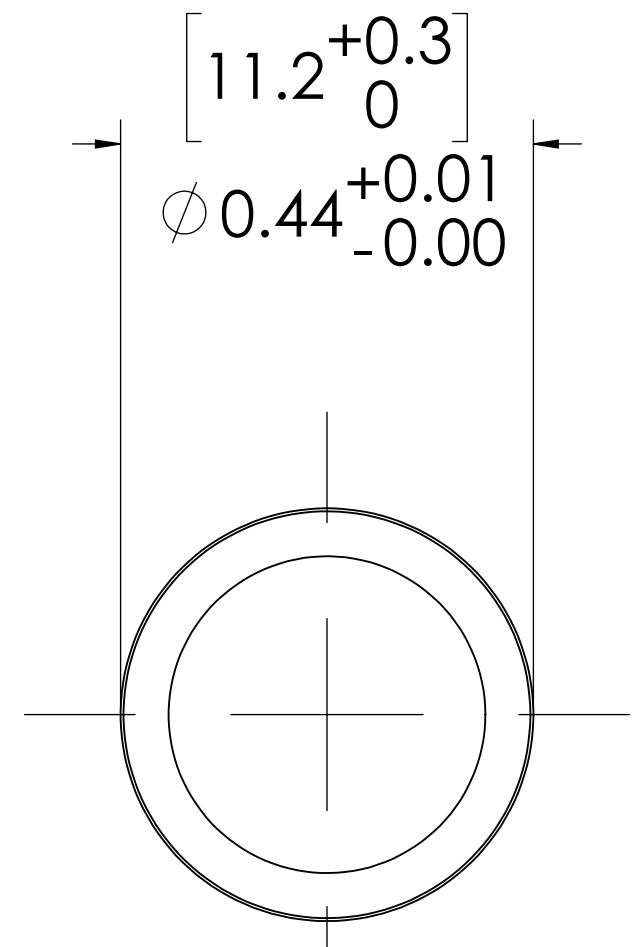
REVISIONS						
SHEET	ZONE	REV.	ECO	DESCRIPTION	DATE	APPROVED
1	ALL	NC	50047	INITIAL RELEASE	6/11/2013	HRC
1	ALL	A	50253	UPDATE DWG TO CURRENT FORMAT & STANDARDS	5/7/2018	HRC



VALVE (ACETAL)
VALVE CAP INTERNAL (STAINLESS STEEL)



**7/16\"/>
VALVE SPRING INTERNAL (STAINLESS STEEL)
VALVE O-RING INTERNAL (BUNA-N)**



PANEL OPENING (SECTION A-A)

- NOTES:**
- MATERIAL: ACETAL
 - COLOR: NATURAL WHITE
 - O-RING MATERIAL: BUNA-N
 - O-RINGS LUBRICATED WITH FOOD GRADE SILICONE OIL, 350 CST.

FOR REFERENCE ONLY

<small>UNLESS OTHERWISE SPECIFIED: DIMENSIONS ARE IN INCHES TOLERANCES: FRACTIONAL ± 1/32 ANGULAR, MACH ± 0.5 BEND ± 2 ONE PLACE DECIMAL ± 0.1 TWO PLACE DECIMAL ± 0.01 THREE PLACE DECIMAL ± 0.005 TWO PLACE DUAL (mm) [± 0.12]</small>	DRAWN	LMP	5/2/2018	
	CHECKED	HRC	7/23/12	
	ENG APPR.	HRC	5/7/18	
	MFG APPR.	BDB	5/7/18	
PRODUCTION	RK	5/7/18		PART NO: 10ACV-SB3-02 DESCRIPTION: LinkTech 10AC Series Panel Mt. Female, Valved, 1/8" HB
<small>PROPRIETARY AND CONFIDENTIAL THE INFORMATION CONTAINED IN THIS DRAWING IS THE SOLE PROPERTY OF LINKTECH LLC. ANY REPRODUCTION OR DISCLOSURE IN PART OR AS A WHOLE WITHOUT THE WRITTEN PERMISSION OF LINKTECH LLC IS STRICTLY PROHIBITED.</small>				<small>COMMENTS:</small>
<small>SIZE DWG. NO. REV</small> C 10AC100043 A	<small>SCALE: NTS WEIGHT:</small>	<small>SHEET 1 OF 1</small>		