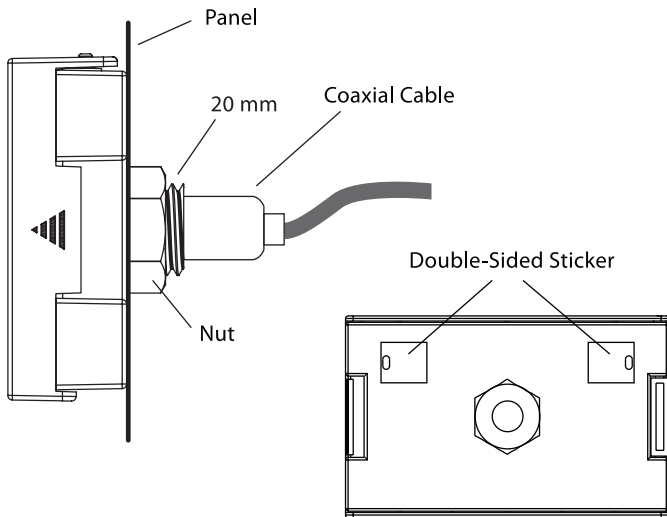


INSTALLATION METHOD

One of the biggest benefits of the LSM-100 is that it's easy to install. There is no need to cut a square panel in order to install it.

1. Drill a 20 millimeter circle on the panel wall.
2. Apply two-sided tape to both sides of the unit in order to immobilize it.
3. With the coaxial cable now connected to the back of the unit, unscrew the nut and insert the back of the unit to the drilled hole horizontally. Then screw the nut and close it in a clockwise direction.
4. Connect the sensor cable to the coaxial cable.



- 5 -

SENSOR ASSEMBLY

The 1/2" sensor can be separated from the controller cable, making it easier for you to insert the sensor where you would like to take measurements. Once the sensor is positioned, you can connect the cable back to the sensor.

HOW TO TAKE MEASUREMENTS

1. Connect the sensor.
2. Open the LSM-100 by pulling the handle on the right corner of the screen.
3. Turn on the power, by pressing the "ON/OFF" button on the switch which is located inside the screen.
4. Select the unit of measurement you would like to use by pressing the "OUT/SET" button.

The units of measurements you can choose from are:

millisiemens -> mS

parts per thousand -> ppt

microsiemens -> μ S

parts per million -> ppm

5. You will see your selected unit of measurement on the screen. (Below)



- 2 -

ONE YEAR LIMITED WARRANTY

The Inline Single Conductivity Monitor ("LSM-100"), manufactured by HM Digital, Inc. ("the Company") is warranted to the purchaser against defective materials and workmanship for one (1) year from the date of purchase.

What is covered: Repair parts and labor, or replacement at the Company's option. Transportation charges for repaired or new product to be returned to the purchaser.

What is not covered: Transportation charges for the defective product to be sent to the Company. Any consequential damages, incidental damages, or incidental expenses, including damages to property. This includes damages from abuse or improper maintenance such as tampering, wear and tear, water damage, or any other physical damage. The warranty does not cover water damage to the LSM-100 due to parts not securely closed. Products with any evidence of such damage will not be repaired or replaced.

How to obtain warranty performance: Attach to the product your name, address, description of problem, phone number, and proof of date of purchase, package and return to:

HM Digital, Inc.
ATTN: Returns
5819 Uplander Way
Culver City, CA 90230
U.S.A.

Implied Warranties: Any implied warranties, including implied warranties of merchantability and fitness for a particular purpose, are limited in duration to five years from date of purchase. Some states do not allow limitations on how long an implied warranty lasts, so the above limitation may not apply to you. To the extent any provision of this warranty is prohibited by federal and state law and cannot be preempted, it shall not be applicable. This warranty gives you specific legal rights, and you may also have other rights, which vary from state to state.

NOTE: Warranties are product-specific. Third-party products and products deemed by HM Digital as "accessories" are not covered under warranty. Third-party products include, but are not limited to, batteries and fittings. Accessories include, but are not limited to batteries, lanyards and cases.

www.hmdigital.com

USER'S GUIDE



LSM-100 IN-LINE SINGLE CONDUCTIVITY MONITOR

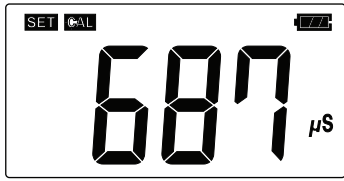


PROFESSIONAL WATER
TESTING INSTRUMENTS

CALIBRATION INSTRUCTIONS

Prepare the standard solution for calibration.

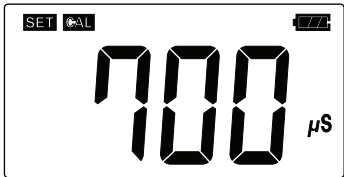
1. Press the "ON/OFF" button to turn on the power.
2. Dip the sensor into 700 μS buffer solution and wait for about 30 to 60 seconds for the temperature to adjust.
3. Press and hold the "CAL" button for 5 seconds. Make sure that the "SET/CAL" icon appears on the screen, as shown below.



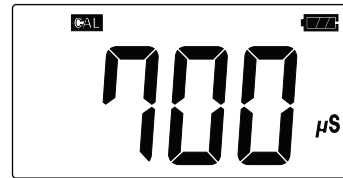
You will see the current measurement number blinking.

4. Calibrate using a 700 μS standard solution by adjusting the "UP/DOWN" button.

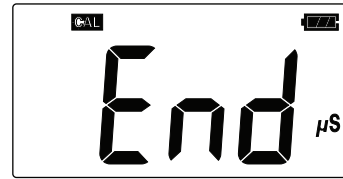
For example, to adjust 687 μS to 700 μS , press the "UP" button three times as shown below:



5. Press the "ENTER" button. The SET icon will disappear and the CAL icon will start blinking. (See Below)



6. Once a stable calibration measurement is obtained, the word "END" will appear on the screen. Then in three seconds the calibration measurement will be saved and the screen mode will be changed to general calibration mode. (See Below)



For more information about our company and products, please visit:

www.hmdigital.com



*Continued on Page 4

OVERVIEW

Thank you for purchasing the HM Digital Mini Controller: LSM-100. The LSM-100 has special features and a large LCD screen making it easy to view measurements from a far distance.

SPECIFICATIONS

- EC Range:** 0-9999 μS ($\mu\text{S}/\text{cm}$); 0.0-20.00 mS (NaCl)
- TDS Range:** 0-9999 ppm (mg/L); 0.0-10.00 ppt (NaCl)
- Resolution:** 0-99: 0.1 $\mu\text{S}/\text{ppm}$
100-9999: 1 $\mu\text{S}/\text{ppm}$
0.01 mS/ppt

Accuracy: +/- 2%

Temperature Compensation: Yes (1 - 65°C)

EC, TDS Factor: NaCl (avg. 0.5)

Calibration: Digital Calibration

Dual Sensor: 1/2" bushing, 3 meter (9.8 ft) shielded cable

Power Source: 1.5V x 2EA (AA SIZE)

Dimensions: 120 x 75 x 26 mm

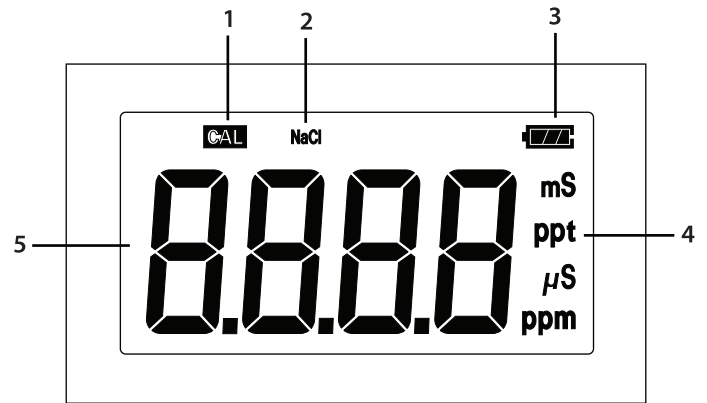
Weight: 198g (Batteries Included)

BATTERY REPLACEMENT

You will need to replace the batteries when the third level of the battery icon disappears.

The LSM-100 takes 2 1.5V (AA size) batteries.

LCD SCREEN AND HOUSING DESCRIPTION



1. Calibration icon
2. NaCl Factor icon
3. Battery icon
4. Unit mode icons
5. Measurement Display

