



T&S BRASS AND BRONZE WORKS, INC.

2 Saddleback Cove / P.O. Box 1088
 Travelers Rest, SC 29690



REG. #A2601
 ISO #9001

Model No.

B-0232

Item No.

Travelers Rest, SC: 800-476-4103 • Simi Valley, CA: 800-423-0150 • Fax: 864-834-3518 • www.tsbrass.com

This Space for Architect/Engineer Approval

Job Name _____ Date _____

Model Specified _____ Quantity _____

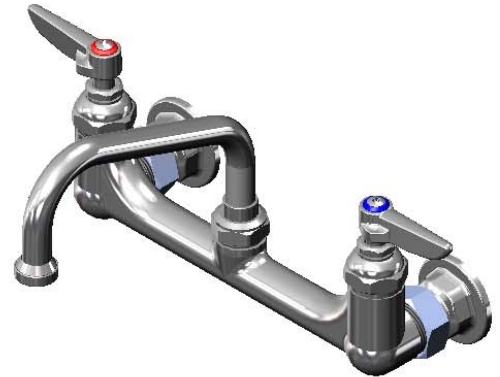
Customer/Wholesaler _____

Contractor _____

Architect/Engineer _____

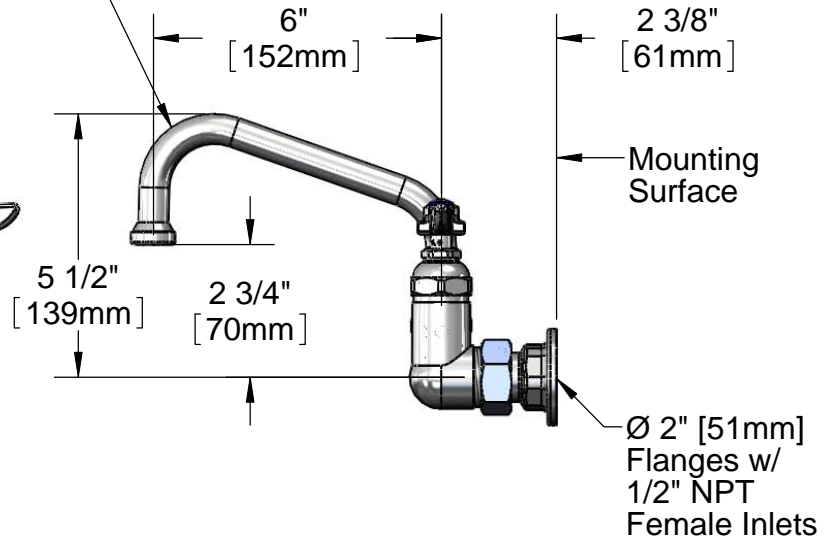
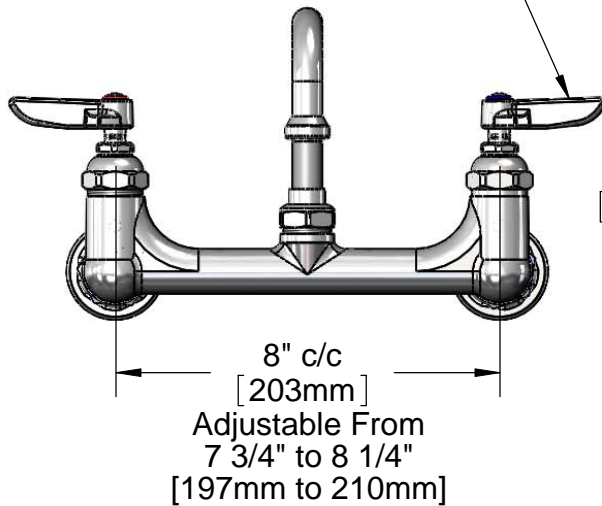


ADA Compliant



059X
 6" Swing Nozzle w/
 B-PT
 Stream Regulator Outlet

Eterna Cartridges &
 Lever Handles w/
 Color Coded Indexes



Note: Rough-In Requirement
 (2) Ø 1" [25mm] Mounting Holes

Product Specifications:
 Sink Mixing Faucet w/ Eterna Cartridges, 6" Swing Nozzle
 w/ B-PT Stream Regulator Outlet, Lever Handles & 1/2"
 Female Inlets

| | | |
|----------------------|-----------------------|--------------------------|
| Drawn DHL | Checked KJG | Approved JHB |
| Scale: 1:4 | | Date: 04/11/11 |



T&S BRASS AND BRONZE WORKS, INC.

2 Saddleback Cove / P.O. Box 1088
Travelers Rest, SC 29690



REG. #A2601
ISO #9001

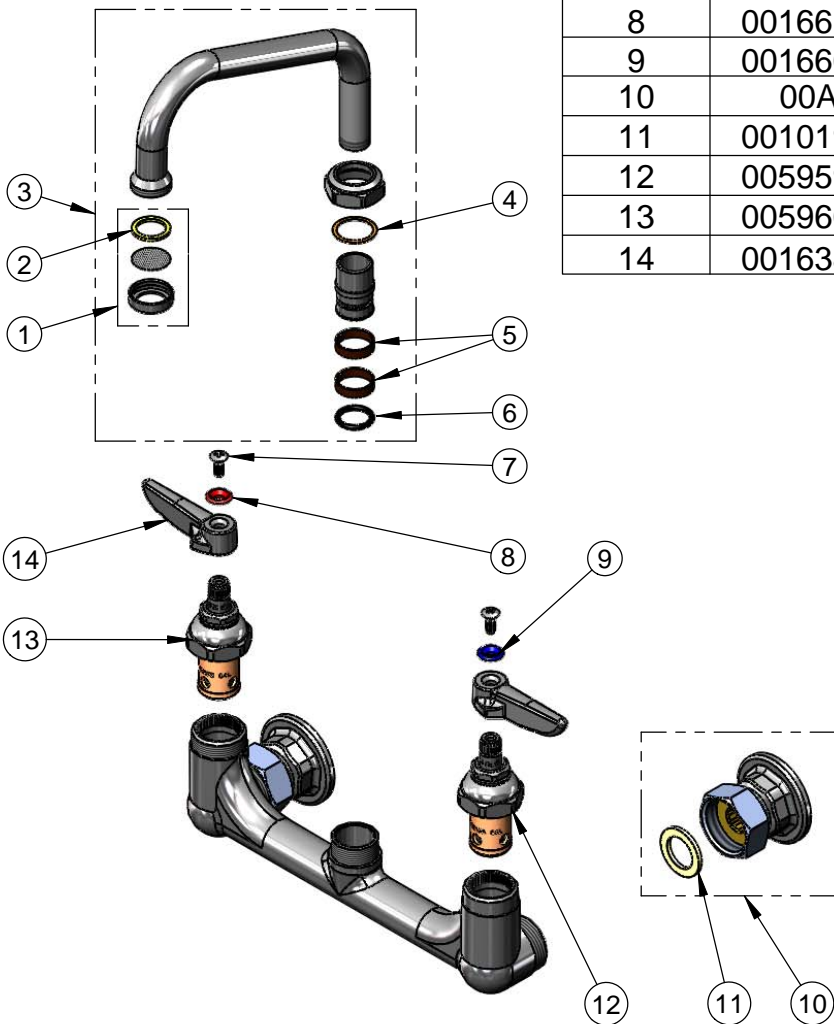
Model No.

B-0232

Item No.

Travelers Rest, SC: 800-476-4103 Simi Valley, CA: 800-423-0150 Fax: 864-834-3518 www.tsbrass.com

| ITEM NO. | SALES NO. | DESCRIPTION |
|----------|-----------|--------------------------------|
| 1 | B-PT | Stream Regulator |
| 2 | 001048-45 | Nozzle Tip Washer |
| 3 | 059X | 6" Swivel Nozzle Assembly |
| 4 | 009538-45 | Swivel Washer |
| 5 | 011429-45 | Swivel Sleeves (2) |
| 6 | 001074-45 | O-Ring |
| 7 | 000922-45 | Lever Handle Screw |
| 8 | 001661-45 | Red Index-HW |
| 9 | 001660-45 | Blue Index-CW |
| 10 | 00AA | 1/2" NPT Female Inlet Assembly |
| 11 | 001019-45 | Coupling Nut Washer |
| 12 | 005959-40 | Eterna Cartridge - LTC |
| 13 | 005960-40 | Eterna Cartridge - RTC |
| 14 | 001638-45 | Lever Handle |



Product Specifications:

Sink Mixing Faucet w/ Eterna Cartridges, 6" Swing Nozzle w/ B-PT Stream Regulator Outlet, Lever Handles & 1/2" Female Inlets

| | | |
|----------------------|-----------------------|--------------------------|
| Drawn DHL | Checked KJG | Approved JHB |
| Scale: NTS | | Date: 04/11/11 |