



HF45SS SERIES

4.5" Stainless Steel Single Element Filter Housings
Data Sheet

- Spring loaded Knife Edge Seal.
- Commercial and Industrial Filter Application.
- Ring Nut Closure for Quick Cartridge Change Outs.
- High Temperature and High-Pressure Applications.
- Heavy Duty 304 or 316 Stainless Steel Construction.
- Accepts 4 1/2" diameter (Big Blue style) Double Open-End (DOE) cartridges.
- 1/4" FNPT Drain Port Standard.



HYDROSCIENTIFIC™ HF45SS SERIES STAINLESS STEEL SINGLE CARTRIDGE HOUSINGS

are ideal for commercial and industrial filter application. Made with Heavy duty 304 or 316 stainless steel construction for maximum durability, HF45SS Series housings accept 4 1/2" diameter (Big Blue style) Double Open-End (DOE) cartridges. Designed for high temperature and high-pressure applications, the HF45SS series housings ring nut closure provides quick cartridge change outs.

HYDROSCIENTIFIC™ HF45SS SERIES STAINLESS STEEL SINGLE CARTRIDGE HOUSINGS

incorporate a spring-loaded knife edge seal into the housings, this provides positive sealing for variable length cartridges. Numerous gasket options are available for compatibility with most fluids.

HF45SS SERIES - 304 SS SINGLE CARTRIDGE HOUSINGS SPECIFICATIONS

Part Number	Description	Ports (In/Out)	Drains
HF4510SS-10	HydroScientific™ 10" Single Filter Housing, accepts 4.5" x 10" Filter Cartridge	1" FNPT	1/4" FNPT
HF4520SS-10	HydroScientific™ 20" Single Filter Housing, accepts 4.5" x 20" Filter Cartridge	1" FNPT	1/4" FNPT

HF45SS SERIES - 316 SS SINGLE CARTRIDGE HOUSINGS SPECIFICATIONS

Part Number	Description	Ports (In/Out)	Drains
HF4510SS-10-316	HydroScientific™ 10" Single Filter Housing, accepts 4.5" x 10" Filter Cartridge	1" FNPT	1/4" FNPT
HF4520SS-10-316	HydroScientific™ 20" Single Filter Housing, accepts 4.5" x 20" Filter Cartridge	1" FNPT	1/4" FNPT

HF45SS SERIES

4.5" Stainless Steel Single Element Filter Housings
Data Sheet

APPLICATIONS

- Chemicals
- Electronics
- Wastewater
- Potable Water
- Food & Beverage
- RO Prefiltration
- Plating Solutions
- Coolants / Inks / Paints / Coatings
- Photographic Solutions

MATERIALS OF CONSTRUCTION

Body: 304 or 316 Stainless Steel
 Head: 304 or 316 Stainless Steel
 O-Ring: EPDM

PORT DIMENSIONS

Drain: 1/4" FNPT
 Inlet: 1" FNPT
 Outlet: 1" FNPT

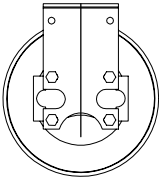
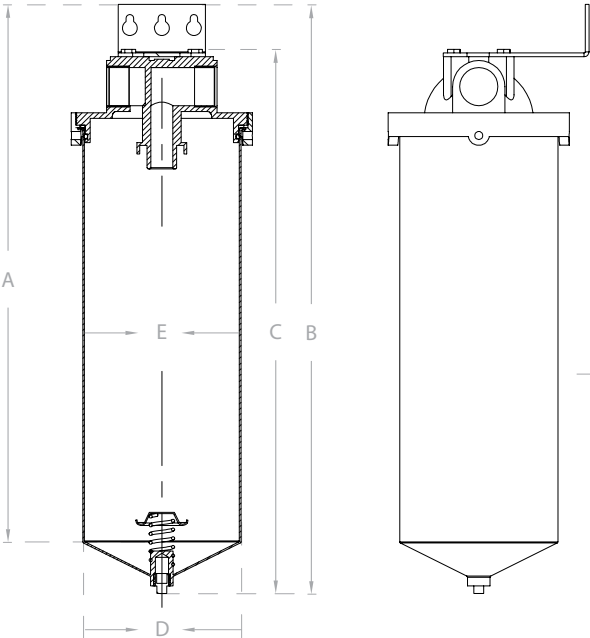
OPERATIONAL DATA

Max. Working Pressure: 300 psi (20.68 bar)
 Max. Operating Temperature: 200 °F (93 °C)

Copyright © 2019 HydroScientific, All Rights Reserved.



P.O. Box 2235 Chino Hills, CA 91709 | USA
 sales@hydronixwater.com



HF45SS SERIES DIMENSIONS

MODEL	A Length	B Length	C Length	D OD Diameter	E ID Diameter
10"	13.58"	18.62"	16.97"	4.89"	4.82"
20"	23.58"	28.62"	26.97"	4.89"	4.82"

DISTRIBUTED BY:

