



Cooler[®]
MATE

Owner's Manual

This Manual is for the Installation, Operation,
and Maintenance of the

WATER FACTORY SYSTEMS

**CoolerMATE
Drinking Water Appliances**

Table of Contents

I. Installation Requirements	3
II. Water Supply Requirements	3
III. Installation Procedure	3
A. Water Supply Connection	3
B. Mounting the System	3
C. Tubing Connections	4
D. System Startup	4
IV. System Maintenance	4
A. Replacing Filter Cartridges	4
Installation Diagram	5
CM-1 CTO/CM-2 CTO/CM-2 Lead Plus	5
CMF-350 DWS	6
CMR-350 DWS	6
“Push-In” Connectors	7

I. Installation Requirements

CoolerMate® filter systems can be used with any point-of-use or converted bottled water cooler. It connects to any potable cold water supply using 1/4" plastic tubing and a saddle tapping valve or other suitable connector.

The cooler must have a float control mechanism, either mechanical or electro-mechanical, to shut off the flow of water when the tank fills.

It is recommended that the cooler tank and tank lid be effectively disinfected using a suitable solution of 5.25% bleach or 3% hydrogen peroxide, as specified by the manufacturer. Also, the tank lid(s) should be equipped with air filters to protect the water from airborne contamination.

II. Water Supply Requirements

The CoolerMate system must be connected to a potable cold water supply providing 25-100 psi (172-690 kPa) pressure. Do not connect to a hot water supply or damage could result.

Application Guidelines/Water Supply Parameters		It is essential that operational, maintenance and filter replacement be carried out for this product to perform as advertised.
Water Pressure	25-100 psi (172-690 kPa)	
Water Temperature *	40-100°F (4.4-38°C)	
Service Flow	0.6 gpm (2.3 lpm)	

* For cold water use only.

IMPORTANT: Do not use where water is microbiologically unsafe, or with water of unknown quality without adequate disinfection before or after the system. Systems certified for cyst reduction may be used on disinfected waters that may contain filterable cysts. EPA Establishment Number 070595-CT-001.

III. Installation Procedure (See installation diagram corresponding to your model)

A. Water Supply Connection (Important: See installation diagrams for list of states that prohibit the use of saddle type valves.)

Using self piercing saddle valve or other suitable assembly, connect to the nearest cold water supply. Refer to enclosed instructions for saddle valve if necessary.

B. Mounting The System

The CoolerMate filter system can be mounted to the back of most free standing, converted bottled water coolers or inside specially designed POU coolers. If necessary, the filter system can be mounted remotely from the cooler in a cabinet or closet. Installation must comply with applicable state and local plumbing codes.

Mounting method #1 - Double Sided Adhesive Tape

- 1) Make sure that the cooler has a rear flat surface that can accommodate the CoolerMate bracket. Mark the location for the system.
- 2) Cut the special double-sided adhesive tape to fit the back of the mounting bracket.
- 3) Remove the backing from one side of the tape and apply it firmly to the back of the CoolerMate bracket. Bracket must be clean of oil and fingerprints and perfectly dry. If necessary wipe clean with window cleaner, alcohol or suitable residue-free cleaner. Do not use a petroleum based solvent.
- 4) Remove remaining protective backing from adhesive tape, line up position and firmly press CoolerMate into position.

Mounting method #2 - Mechanical Fasteners, Bolts, Screws or Studs.

In some cases it may not be possible or desirable to use the tape mounting method. There are two mounting holes in the system bracket that provides a variety of options for bolting or hanging the CoolerMate on the cooler. In some cases, existing screws can be used. The key holes are provided for those who desire to install studs, bolts or screws at the required spacing to allow easy removal of the entire system.

C. Tubing Connections

With the CoolerMate fastened to the cooler, the final tubing connections can be made. All connections are made with "Push-In" connectors. Refer to the enclosed instructions on use of the "Push-In" plastic fittings (see page 7). Use care in routing the tubing to ensure that there are no bends or kinks in the tubing.

- 1) Route 1/4" blue tubing from the water supply feed valve to the CoolerMate filter inlet connector.
- 2) Connect the line from the cooler inlet to the outlet fitting on the CoolerMate.
- 3) Within 24" of the CoolerMate filter inlet connector, cut the tubing and install the in-line ball valve provided. It should be located so that it cannot be stepped on or crushed behind the cooler.

D. System Start Up

- 1) Check that all connections are secure.
- 2) Turn on primary feed valve at water supply and check for leaks. If any leaks are noted, turn off valve and correct before proceeding. If a leak occurs at a "Push In" plastic fitting refer to special section on these fittings (see page 7).
- 3) Turn on secondary valve at cooler and allow at least 5 gallons (18.9 liters) to run through filter and discard. Water can either be drained from the cooler storage tank or directly from filter outlet tubing into a suitable receptacle.
- 4) Double check for leaks. The system is now ready for use.

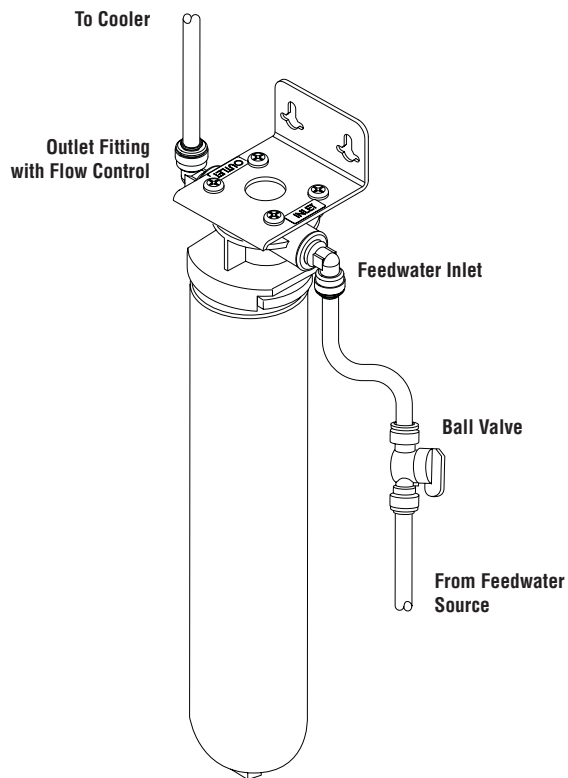
IV. System Maintenance

A. Replacing filter cartridges

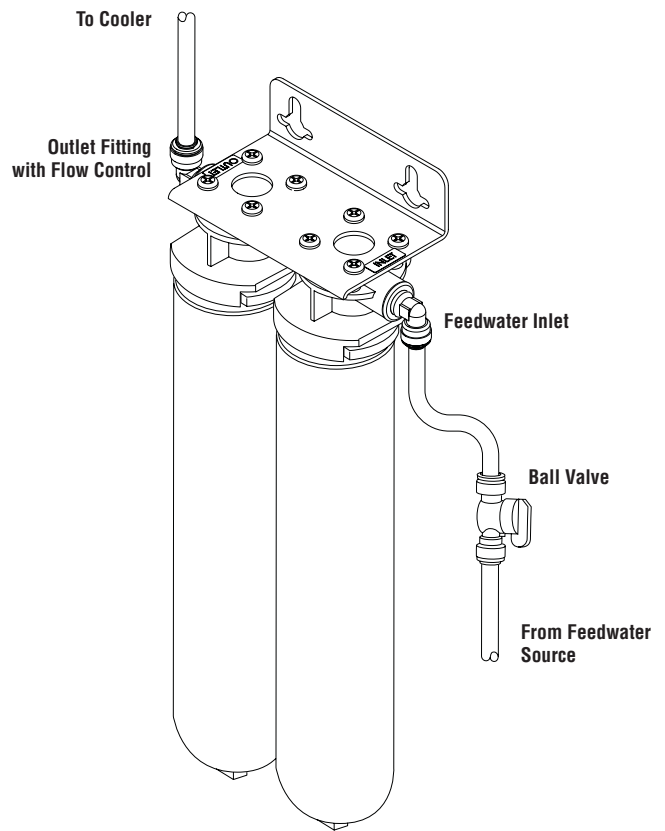
- 1) Moisten the o-rings with water and twist the cartridge slightly while inserting it into the receptacle. The "ears" on the filter cartridge fit into the slots on the receptacles. The filter locks into place when it is pressed all the way up into the receptacle, then turned 1/4 turn to the right. Be sure to match the icons on the cartridges with the icons on the receptacles. This will assure that you install the filters in the correct position.

CoolerMATE® Installation Diagram

Models CM-1 CTO, CM-2 CTO, CM-2 Lead Plus



**Model
CM-1 CTO**

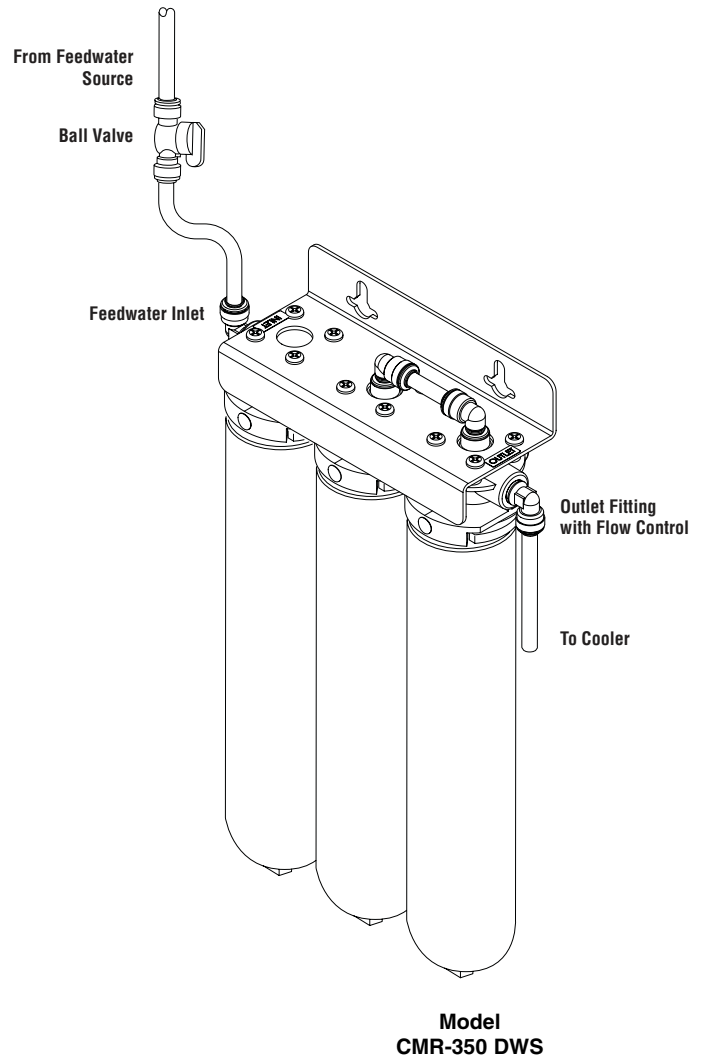
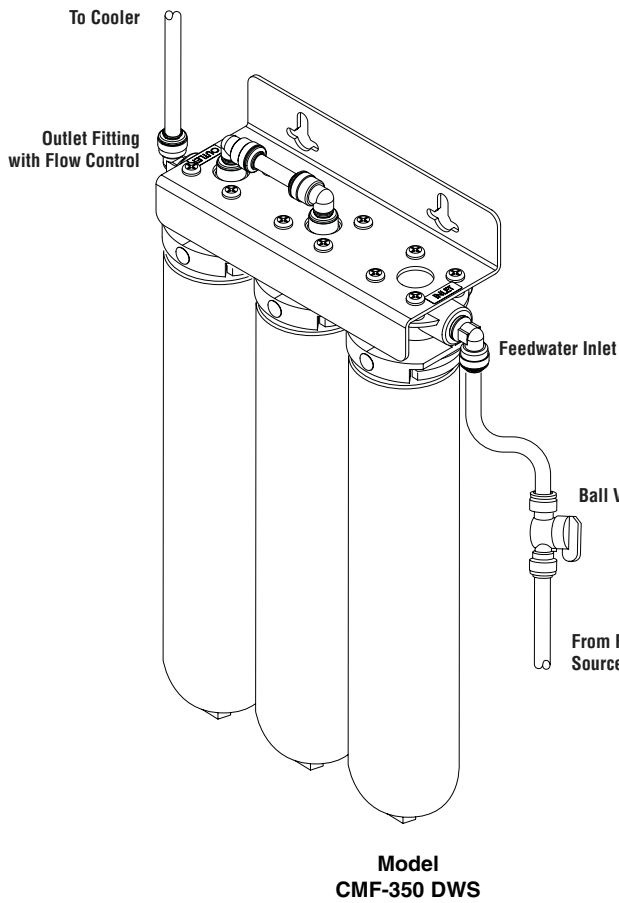


**Models
CM-2 CTO
CM-2 Lead Plus**

NOTE: Some state and local plumbing codes may prohibit the use of saddle-type valves and/or drain connections. The use of saddle-type valves are prohibited in: Alaska, Delaware, Idaho, Kentucky, Massachusetts, Michigan, Minnesota, New Hampshire, North Dakota, Ohio, Oregon, and South Dakota. Check your local plumbing codes for any restrictions that may apply. Massachusetts CMR 248 strictly prohibits the use of saddle-type valves. The feedwater connection must conform to applicable plumbing codes.

CoolerMATE® Installation Diagram

Models CMF-350 DWS, CMR-350 DWS



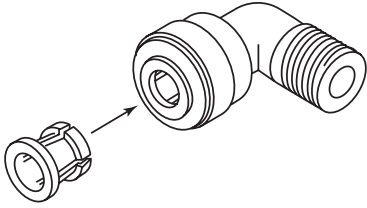
NOTE: Some state and local plumbing codes may prohibit the use of saddle-type valves and/or drain connections. The use of saddle-type valves are prohibited in: Alaska, Delaware, Idaho, Kentucky, Massachusetts, Michigan, Minnesota, New Hampshire, North Dakota, Ohio, Oregon, and South Dakota. Check your local plumbing codes for any restrictions that may apply. Massachusetts CMR 248 strictly prohibits the use of saddle-type valves. The feedwater connection must conform to applicable plumbing codes.

'Push-In' Tubing Connector

This product is outfitted with user friendly 'Push In' connectors. Proper use of the connectors is shown in the diagrams.

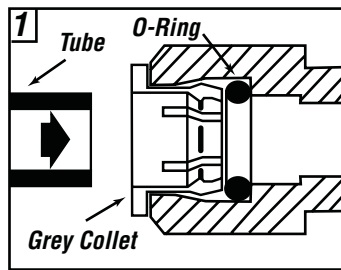
It is most important that the tubing selected for use with these connectors be of high quality, exact size and roundness, and with no surface nicks or scratches. If it is necessary to cut the tubing, use a plastic tubing cutter or sharp razor knife. Make a clean square cut.

Should a leak occur at a 'Push-In' connector, the cause is usually defective tubing.

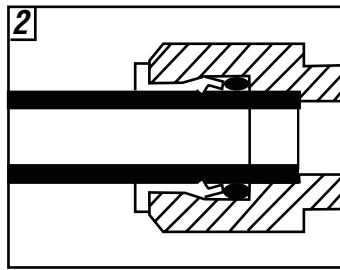


- To Fix:
- Relieve pressure
 - Release tubing
 - Cut off at least 1/4" from end.
 - Reattach tubing
 - Confirm connection is leak free.

To Attach Tubing

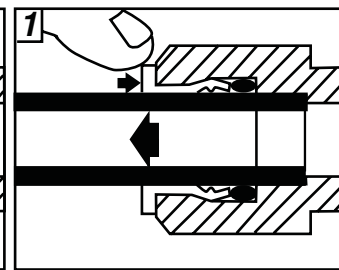


Push tubing straight in as far as it will go.

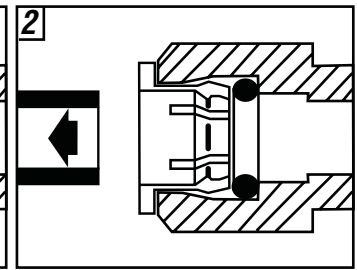


Tubing is secured in.

To Release Tubing



Push in grey collet to release tubing.



Pull tubing straight out.



CUNO Incorporated

400 Research Parkway

Meriden, CT 06450 USA

Toll Free 1-800-733-1199

Worldwide 1-203-237-5541

Fax 1-203-238-8701

www.waterfactorysystems.com • www.cuno.com