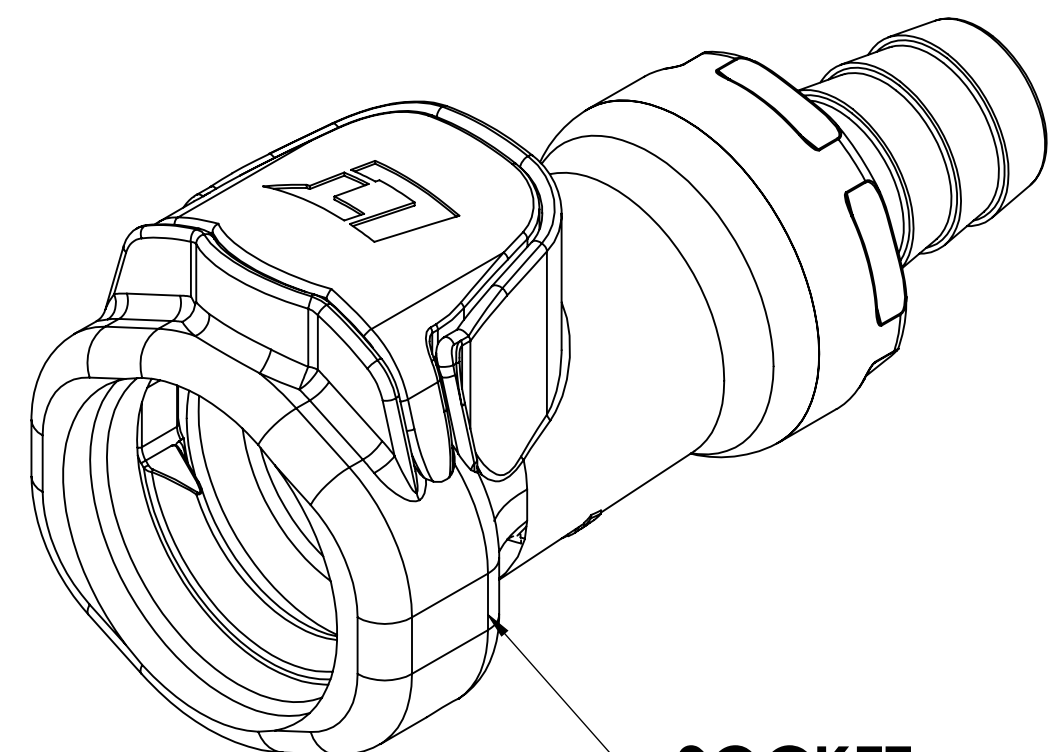
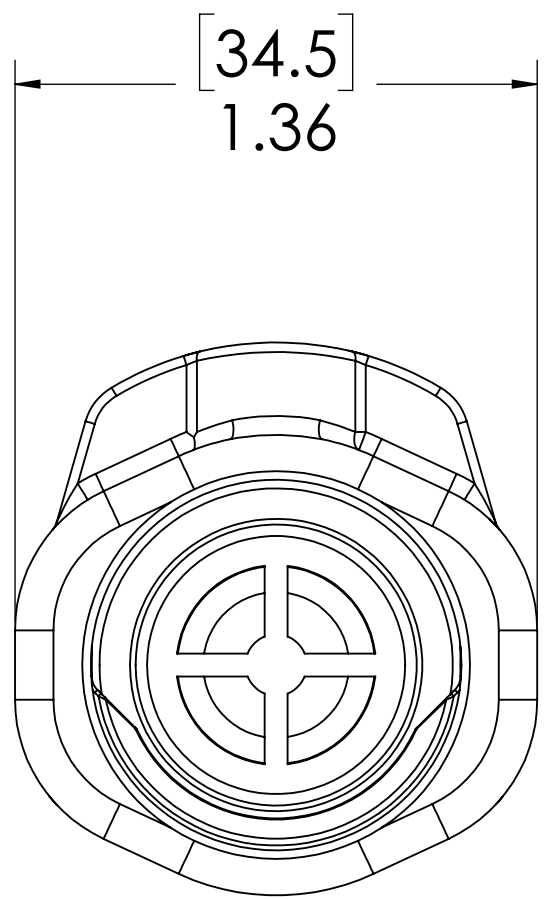


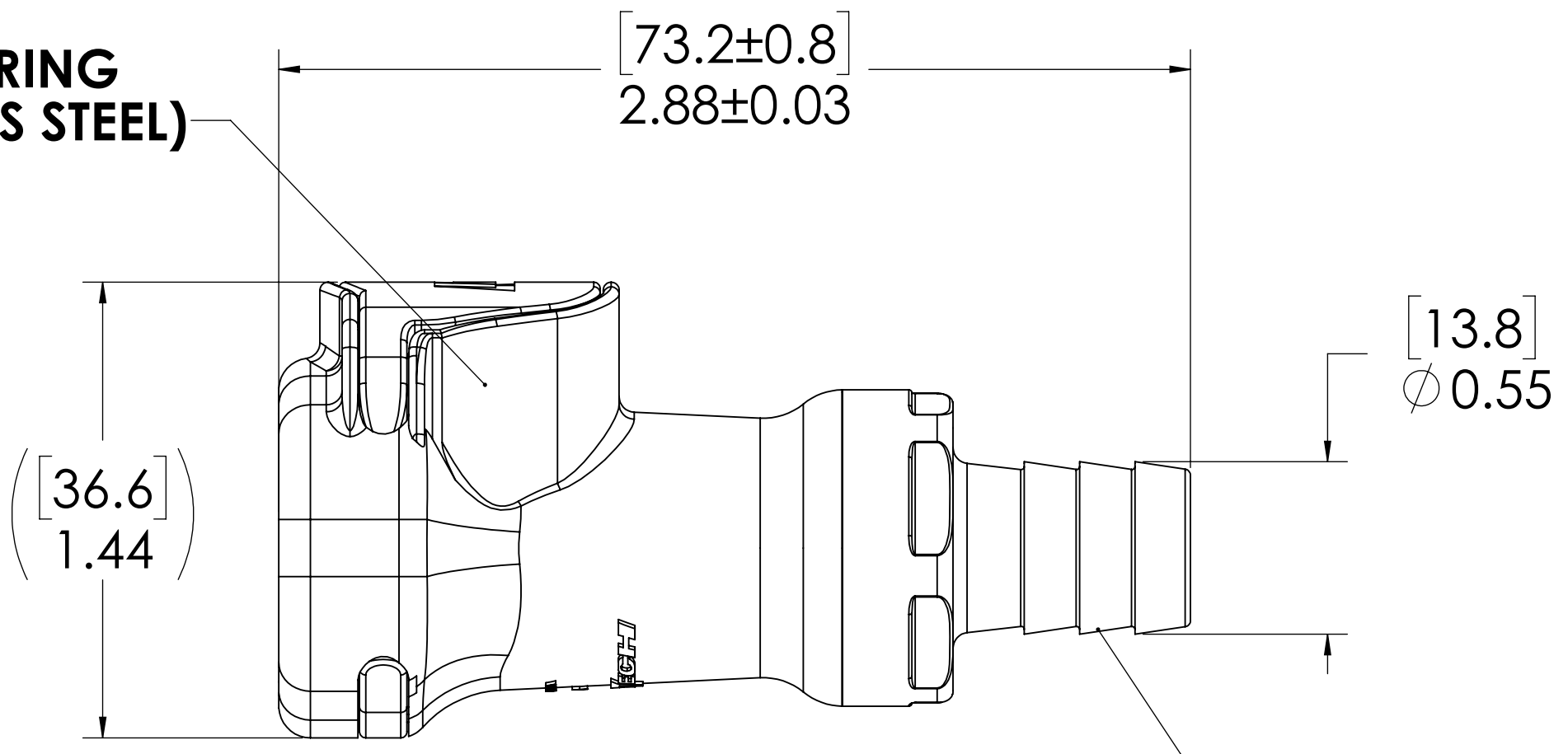
REVISIONS						
SHEET	ZONE	REV.	ECO	DESCRIPTION	DATE	APPROVED
1	ALL	A	UPDATED LATCH SPRING	6/19/2014	HRC
1	ALL	A	50093	INITIAL RELEASE	9/10/2014	HRC
1	ALL	B	50253	2017 FORMAT UPDATE	8/9/2018	HRC



**SOCKET
(POLYPROPYLENE)**



**LATCH SPRING
(STAINLESS STEEL)**



1/2" TUBE ID

FOR REFERENCE ONLY

- NOTES:**
- MATERIAL: POLYPROPYLENE
 - COLOR: GREY

<small>UNLESS OTHERWISE SPECIFIED: DIMENSIONS ARE IN INCHES TOLERANCES: FRACTIONAL ±1/32 ANGULAR, MACH ±0.5 BEND ±2 ONE PLACE DECIMAL ±0.1 TWO PLACE DECIMAL ±0.01 THREE PLACE DECIMAL ±0.005 TWO PLACE DUAL (mm) [±0.12]</small>	DRAWN	RDA	8/8/2018	
	CHECKED	HRC	8/8/2018	
	ENG APPR.	HRC	8/9/18	
	MFG APPR.	BDB	8/9/18	
<small>PROPRIETARY AND CONFIDENTIAL THE INFORMATION CONTAINED IN THIS DRAWING IS THE SOLE PROPERTY OF LINKTECH LLC. ANY REPRODUCTION OR DISCLOSURE IN PART OR AS A WHOLE WITHOUT THE WRITTEN PERMISSION OF LINKTECH LLC IS STRICTLY PROHIBITED.</small>	Q.A.	JJB	8/9/18	PART NO: 60PP-S2-08 DESCRIPTION: LinkTech 60PP Series Straight Female, Non-valved, 500 HB, Polypropylene
SIZE DWG. NO. REV C 60PP600054 B		SCALE: NTS WEIGHT: SHEET 1 OF 1		