

# Stainless Steel Ball Valves

three-piece body • full port • blowout-proof stem • full port • 316 SS trim • vented ball

**1000 PSI/69 bar non-shock cold working pressure** ♦

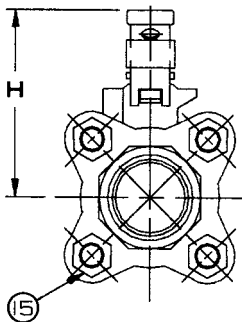
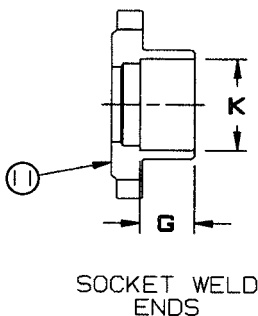
CONFORMS TO MSS SP-110

## MATERIAL LIST

PART	SPECIFICATION
1. Handle Nut	Stainless Steel ASTM A 276 Type 304
2. Stem	Stainless Steel ASTM A 276 Type 316
3. Lock Washer	Stainless Steel 304
4. Stem Packing (1 Set)	Carbon Filled PTFE
5. Thrust Washer	Carbon Filled PTFE
6. Cap Bolt (4)	Stainless Steel ASTM A 193 B8 Type 304
7. Union Seal (2)	Reinforced PTFE
8. Ball (Vented)	Stainless Steel ASTM A 276 Type 316 or ASTM A 351 Type CF8M
9. Body	Stainless Steel ASTM A 351 Type CF8M
10. Seat (2)	Reinforced PTFE
11. <sup>1</sup> Body End (2)	Stainless Steel ASTM A 351 Type CF8M
12. Lock Washer (4)	Stainless Steel 304
13. Threaded Pack Gland	Stainless Steel ASTM A 276 Type 316
14. Locking Handle	Stainless Steel ASTM A 240 Type 304
15. Cap Nut (4)	Stainless Steel 304

NOTE: valves are static grounded by thrust washer and packing.

<sup>1</sup> Threaded ends: CF8M, socket weld ends: CF3M.

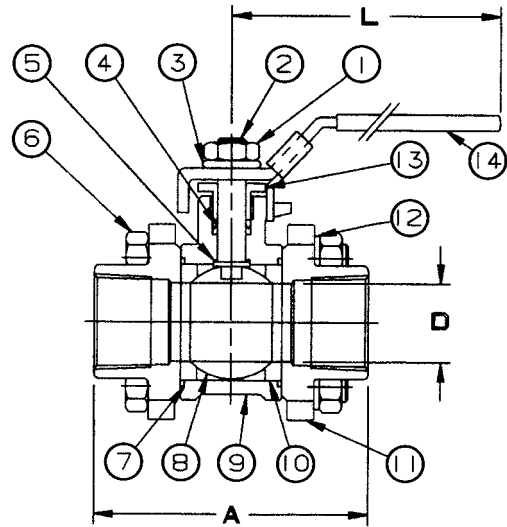


**T-595-S6-R-66-LL**

Threaded

**K-595-S6-R-66-LL**

Socket Weld (½"-2")



T/K-595-S6-R-66-LL  
NPT x NPT or SOC x SOC

## DIMENSIONS—WEIGHTS—QUANTITIES

Size	Dimensions						L	T or K-595-S6-R-25-LL		Master Ctn. Qty.						
	A	D	G	K	H	Lbs.		Kg.								
¼	8	2.36	60	.34	9	—	—	—	2.18	55	4.17	106	.97	.44	10	
⅜	10	2.36	60	.34	9	—	—	—	2.18	55	4.17	106	.97	.44	10	
½	15	2.76	70	.56	14	.38	10	.86	22	2.38	60	4.17	106	1.23	.56	10
¾	20	3.03	77	.81	21	.50	13	1.07	27	2.87	73	5.71	145	1.91	.87	10
1	25	3.62	92	1.00	25	.50	13	1.34	34	2.95	75	5.71	145	2.93	1.33	8
1¼	32	4.13	105	1.25	32	.50	13	1.69	43	3.66	93	7.36	187	4.27	1.94	5
1½	40	4.72	110	1.50	38	.50	13	1.93	49	3.94	100	7.36	187	6.01	2.73	5
2	50	5.43	138	1.97	50	.62	16	2.42	61	4.25	108	7.95	202	9.50	4.32	5

Visit our website for the most current information.

♦ For detailed operating pressure, refer to pressure temperature chart on pages 66 and 67.