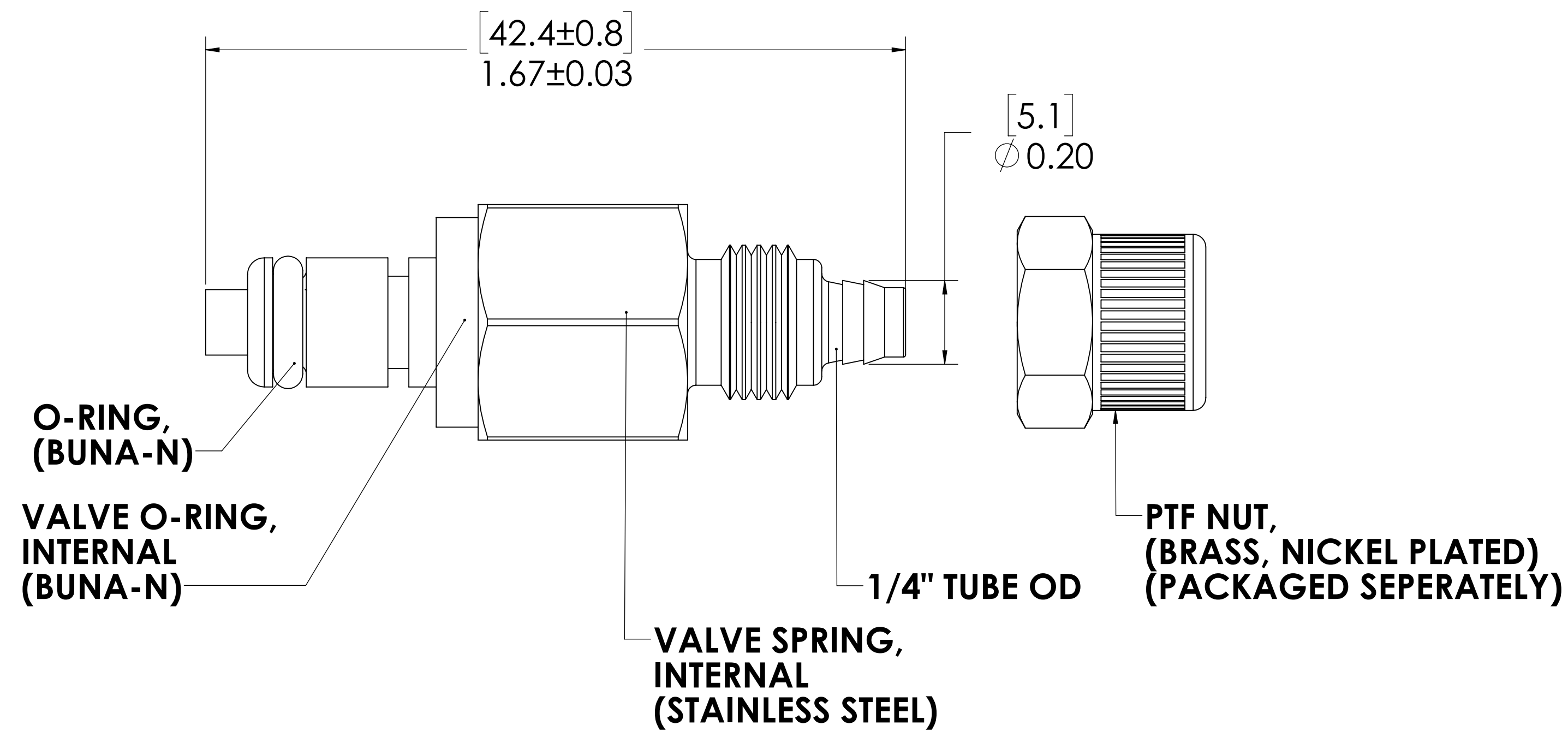
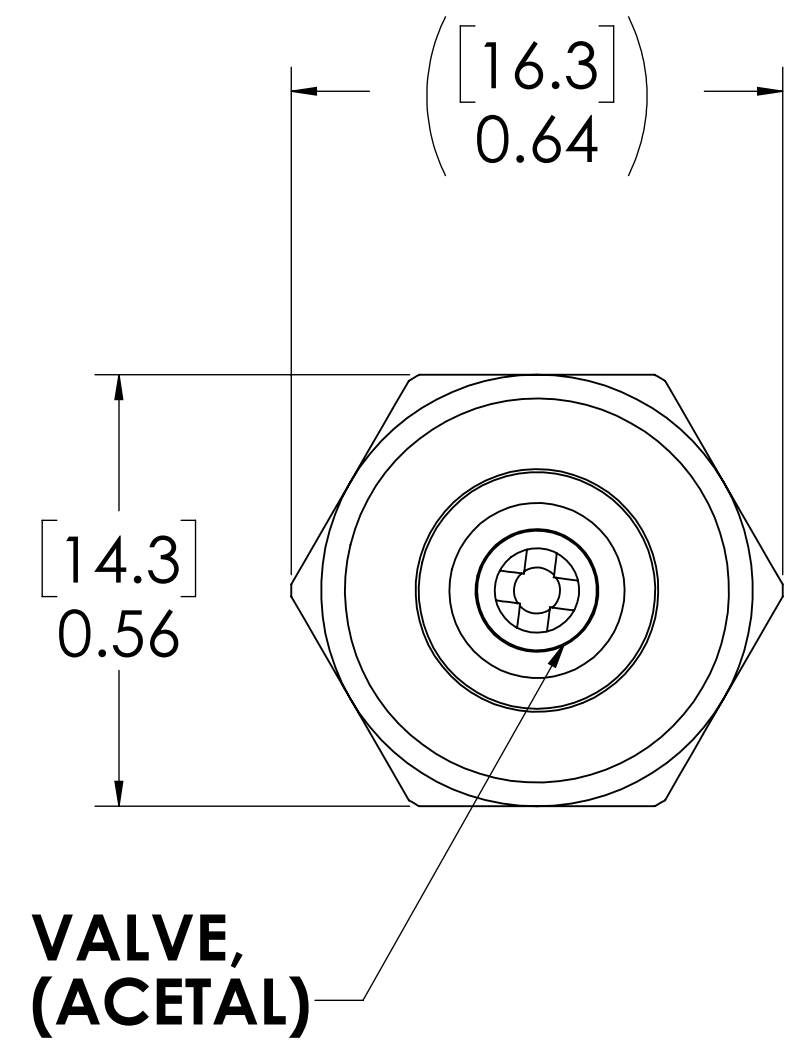
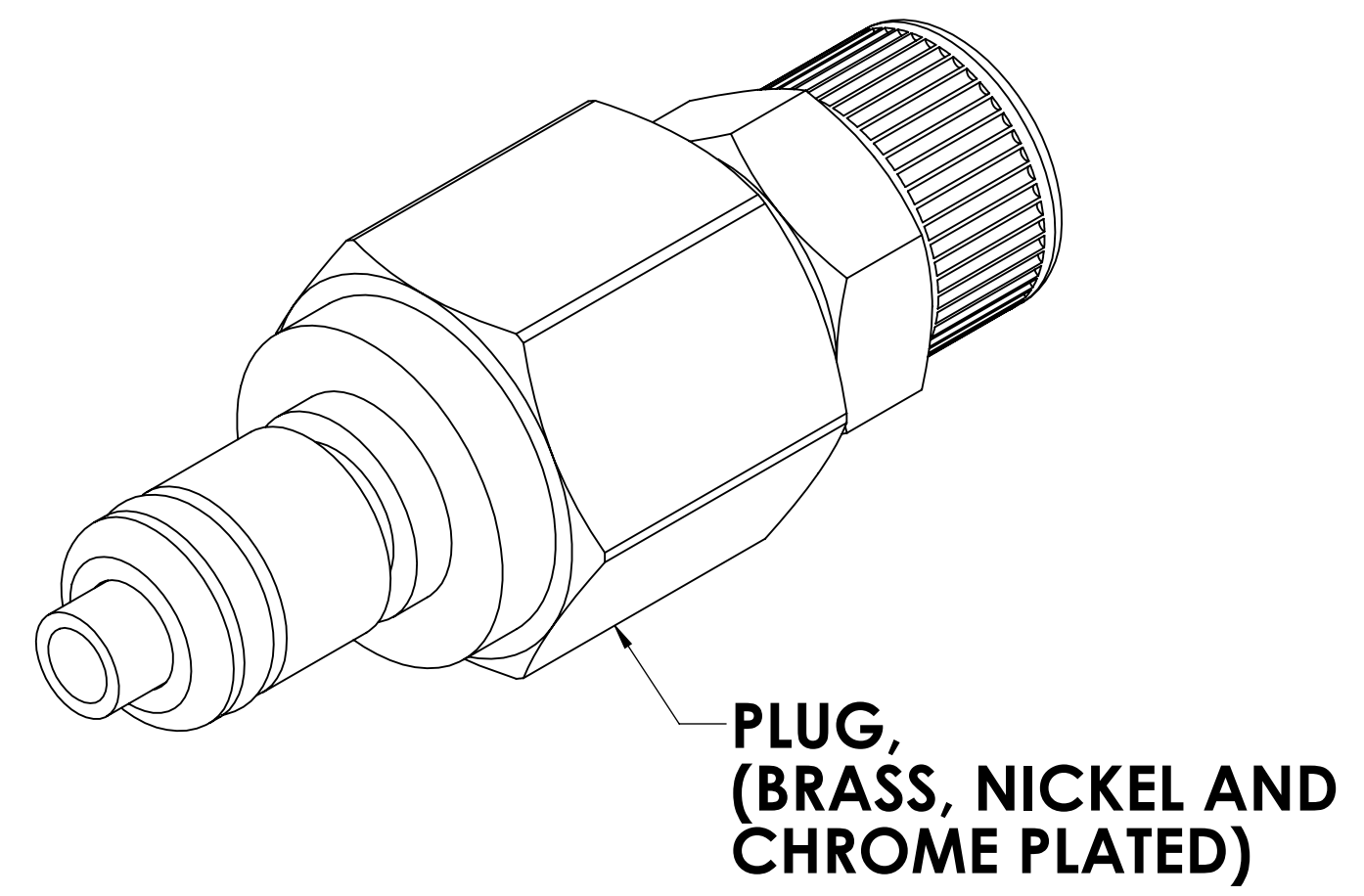


REVISIONS						
SHEET	ZONE	REV.	ECO	DESCRIPTION	DATE	APPROVED
1	ALL	A	50253	INITIAL RELEASE	10/16/2018	HRC



- NOTES:**
1. MATERIAL: BRASS
 2. FINISH: CHROME
 3. O-RING MATERIAL: BUNA-N
 4. O-RINGS LUBRICATED WITH FOOD GRADE SILICONE OIL, 350 CST.

FOR REFERENCE ONLY

<small>UNLESS OTHERWISE SPECIFIED: DIMENSIONS ARE IN INCHES TOLERANCES: FRACTIONAL ± 1/32 ANGULAR: MACH ± 0.5 BEND ± 2 ONE PLACE DECIMAL ± 0.1 TWO PLACE DECIMAL ± 0.01 THREE PLACE DECIMAL ± 0.005 TWO PLACE DUAL (mm) [± 0.12]</small>	DRAWN	DHJ	6/08/09	
	CHECKED	DHJ	6/08/09	
	ENG APPR.	HRC	10/16/18	
	MFG APPR.	BDB	10/16/18	
PRODUCTION	LS	10/16/18		PART NO: 20CBV- PB9-04 DESCRIPTION: LinkTech 20CB Series Straight Male, Valved, 1/4" PTF, Chrome Brass
<small>PROPRIETARY AND CONFIDENTIAL THE INFORMATION CONTAINED IN THIS DRAWING IS THE SOLE PROPERTY OF LINKTECH LLC. ANY REPRODUCTION OR DISCLOSURE IN PART OR AS A WHOLE WITHOUT THE WRITTEN PERMISSION OF LINKTECH LLC IS STRICTLY PROHIBITED.</small>	COMMENTS:			SIZE DWG. NO. REV C 20CB200020 A
SCALE: NTS		WEIGHT:	SHEET 1 OF 1	