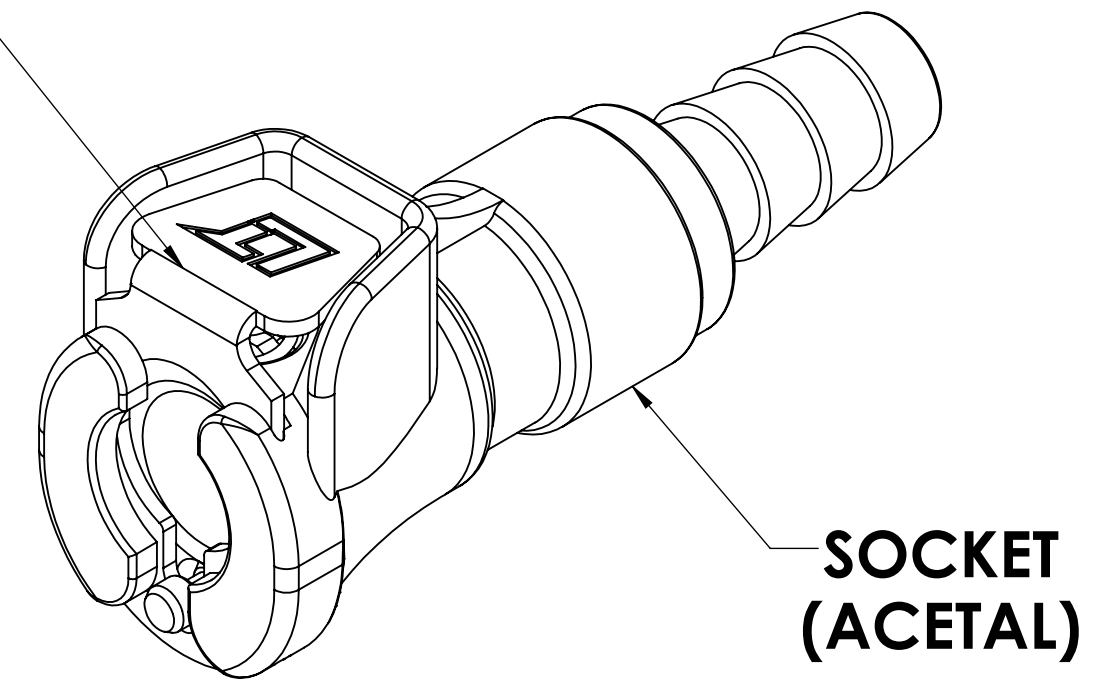
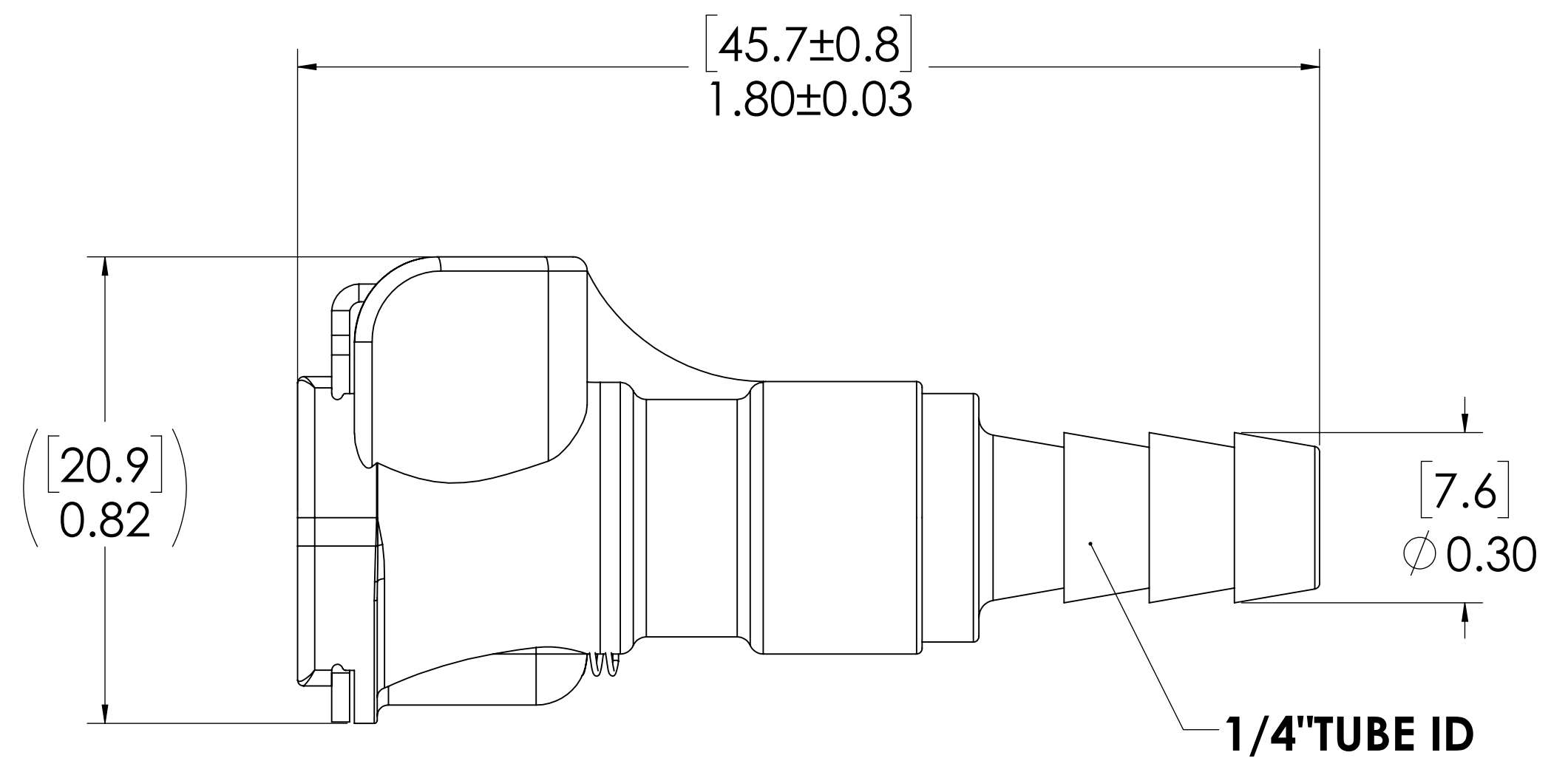
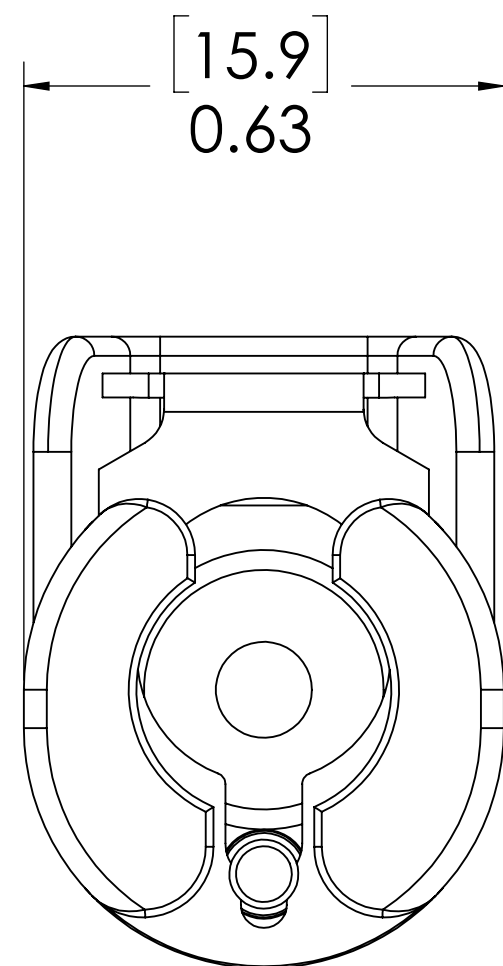


REVISIONS						
SHEET	ZONE	REV.	ECO	DESCRIPTION	DATE	APPROVED
		A	50242	PIN, PIN SPRING & 2017 FORMAT UPDATE	06-28-21	HRC
		B	1183752	C333 PINWELL DEPTH UPDATE	09-16-21	FJL

**LATCH HARDWARE
(STAINLESS STEEL)**




**SOCKET
(ACETAL)**



NOTES:

1. MATERIAL: ACETAL
2. COLOR: NATURAL WHITE

FOR REFERENCE ONLY

UNLESS OTHERWISE SPECIFIED: DIMENSIONS ARE IN INCHES TOLERANCES: FRACTIONAL ± 1/32 ANGULAR: MACH ± 0.5 BEND ± 2 ONE PLACE DECIMAL ± 0.1 TWO PLACE DECIMAL ± 0.01 THREE PLACE DECIMAL ± 0.005 TWO PLACE DUAL (mm) [±0.12]	DRAWN	CBH	7/27/2017	 LINKTECH <small>DRINKING WATER TECHNOLOGIES, LLC</small>
	CHECKED	HRC	7/27/17	
PROPRIETARY AND CONFIDENTIAL THE INFORMATION CONTAINED IN THIS DRAWING IS THE SOLE PROPERTY OF LINKTECH LLC. ANY REPRODUCTION OR DISCLOSURE IN PART OR AS A WHOLE WITHOUT THE WRITTEN PERMISSION OF LINKTECH LLC IS STRICTLY PROHIBITED.	ENG APPR.	HRC	6/28/18	DESCRIPTION: LinkTech 20AC Series Straight Female, Non-valved, 1/4" HB, Natural Acetal
	MFG APPR.	BDB	6/28/18	SIZE DWG. NO. REV C 20AC200256 B
	PRODUCTION	LS	6/28/18	SCALE: NTS WEIGHT: SHEET 1 OF 1