



T&S BRASS AND BRONZE WORKS, INC.
 2 Saddleback Cove / P.O. Box 1088
 Travelers Rest, SC 29690

Model No.
B-1128

Item No.

Travelers Rest, SC: 800-476-4103 • Simi Valley, CA: 800-423-0150 • Fax: 864-834-3518 • www.tsbrass.com

This Space for Architect/Engineer Approval

Job Name _____ Date _____

Model Specified _____ Quantity _____

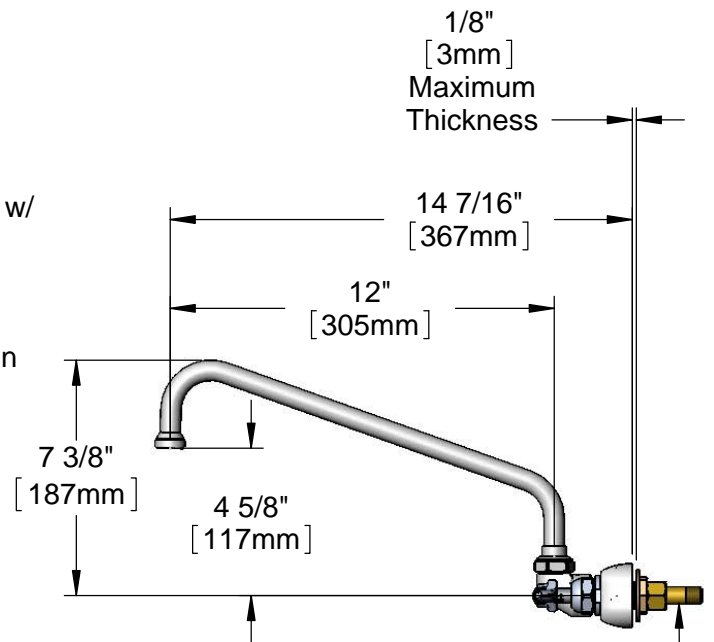
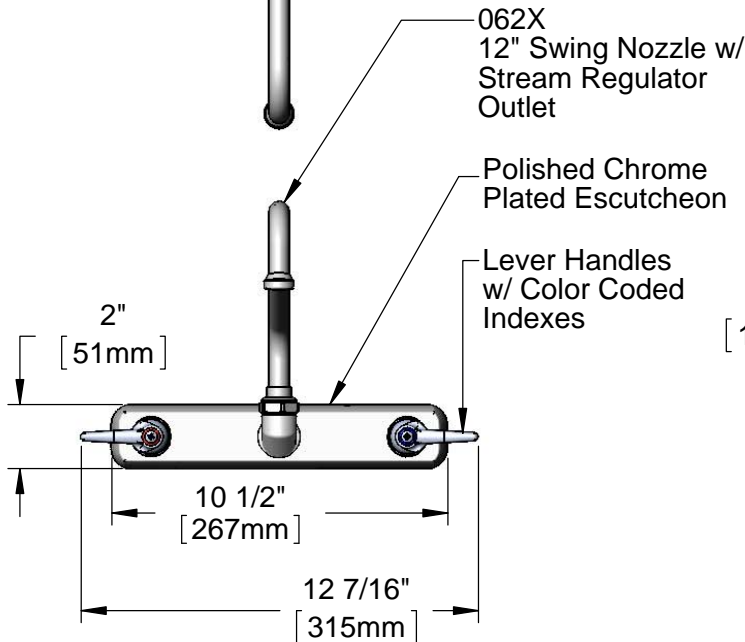
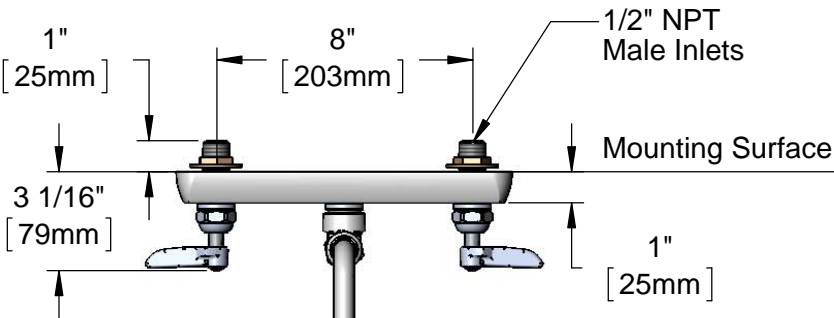
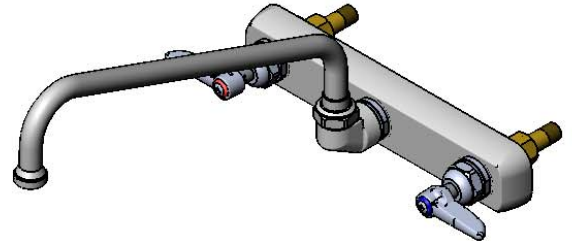
Customer/Wholesaler _____

Contractor _____

Architect/Engineer _____



ADA Compliant



(2) 150A
 Optional Tailpiece and Nut
 for 1/4" NPT Connection
 (Included)

Rough-In Requirement:
 (2) \varnothing 1" [25mm] Mounting Holes

Product Specifications:
 8" Wall Mount Workboard Faucet w/ Lever Handles, 12" Swing Nozzle, Stream Regulator Outlet & 1/2" NPT Male Inlets

Drawn DHL	Checked DMH	Approved JHB
Scale: 1:6		Date: 02/11/13



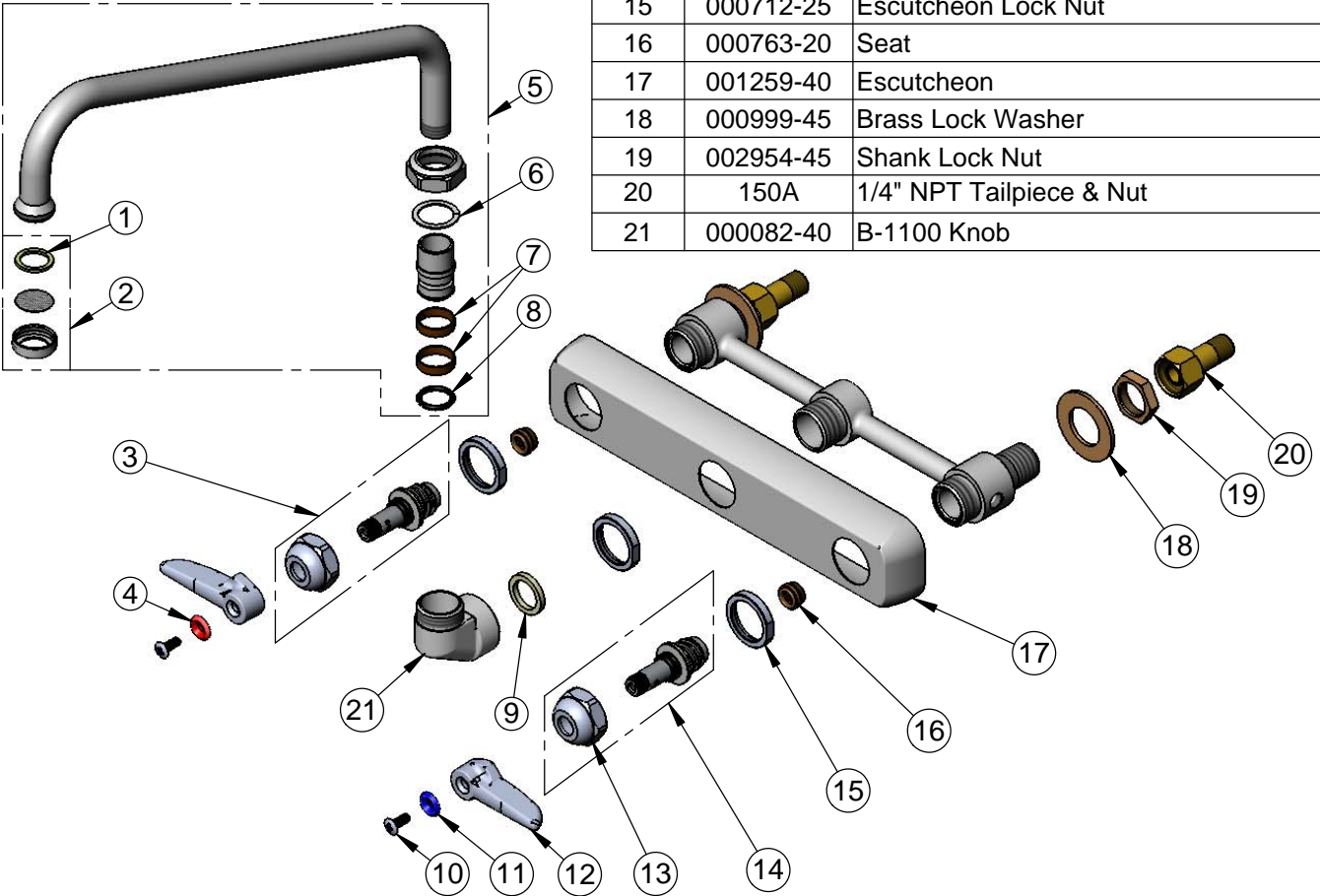
T&S BRASS AND BRONZE WORKS, INC.
 2 Saddleback Cove / P.O. Box 1088
 Travelers Rest, SC 29690

Model No.
B-1128

Item No.

Travelers Rest, SC: 800-476-4103 • Simi Valley, CA: 800-423-0150 • Fax: 864-834-3518 • www.tsbrass.com

ITEM NO.	SALES NO.	DESCRIPTION
1	001048-45	Nozzle Tip Washer
2	B-PT	Stream Regulator Outlet
3	009754-25	B-1100 Spindle Assembly, LTC
4	001661-45	Red Index-HW
5	062X	12" Swing Nozzle w/ B-PT Stream Regulator Outlet
6	009538-45	Swivel Washer
7	011429-45	Swivel Sleeves (2)
8	001074-45	O-Ring
9	001017-45	Washer
10	000922-45	Lever Handle Screw
11	001660-45	Blue Index-CW
12	001638-45	Lever Handle
13	009749-25	Bonnet Nut
14	009753-25	B-1100 Spindle Assembly, RTC
15	000712-25	Escutcheon Lock Nut
16	000763-20	Seat
17	001259-40	Escutcheon
18	000999-45	Brass Lock Washer
19	002954-45	Shank Lock Nut
20	150A	1/4" NPT Tailpiece & Nut
21	000082-40	B-1100 Knob



Product Specifications:
 8" Wall Mount Workboard Faucet w/ Lever Handles, 12" Swing Nozzle, Stream Regulator Outlet & 1/2" NPT Male Inlets

Drawn DHL	Checked DMH	Approved JHB
Scale: NTS		Date: 02/11/13