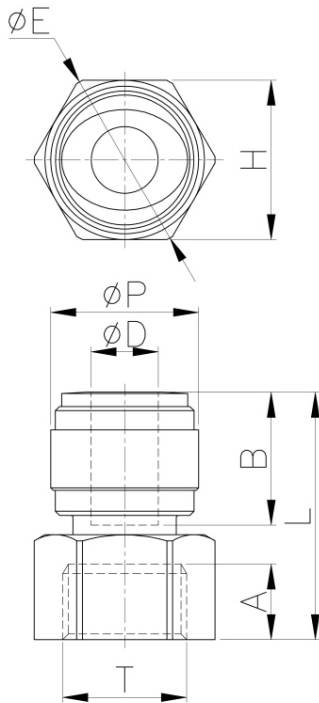


# Female Adapter (UNS)

Pressure Ratings			
	< 5/16"	3/8"	1/2"
33 °F	290 psi	232 psi	203 psi
68 °F	290 psi	232 psi	203 psi
150 °F	232 psi	203 psi	116 psi

Torque Allowance					
Thread Size	1/8"	1/4"	3/8"	1/2"	3/4"
Max Torque	1.1 ft lbs	1.1 ft lbs	2.2 ft lbs	2.2 ft lbs	2.9 ft lbs



Model	$\varnothing D$	$\varnothing P$	T(UNS)	L	A	B	H(Hex)	$\varnothing E$	WEIGHT(g)
AFAC6M-US7	06	17.6	7/16-24	27.1	6.7	16.1	17	19	6.1
AFAC8M-US7	08	17.6	7/16-24	27.5	6.7	17.5	17	19	6.1