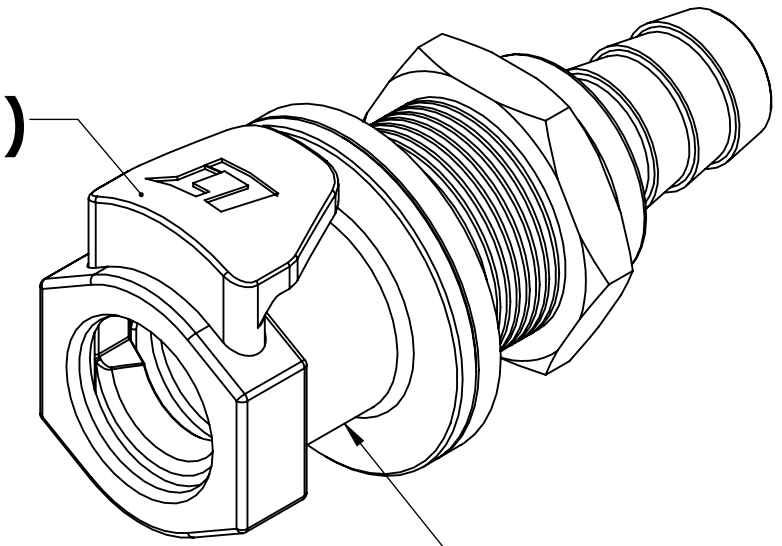
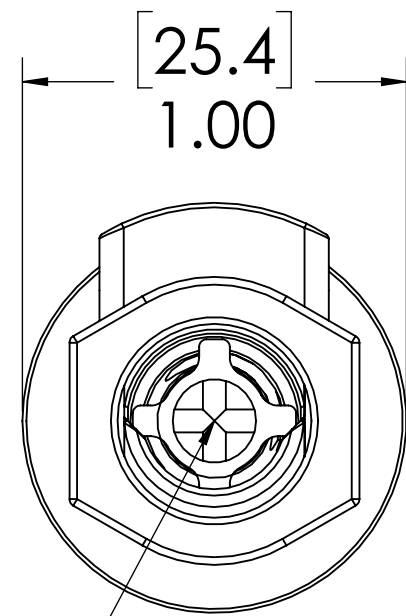


REVISIONS						
SHEET	ZONE	REV.	ECO	DESCRIPTION	DATE	APPROVED
1	ALL	A	50253	UPDATE DWG TO CURRENT FORMAT & STANDARDS	10/30/2018	HRC

**LATCH  
(POLYPROPYLENE)**

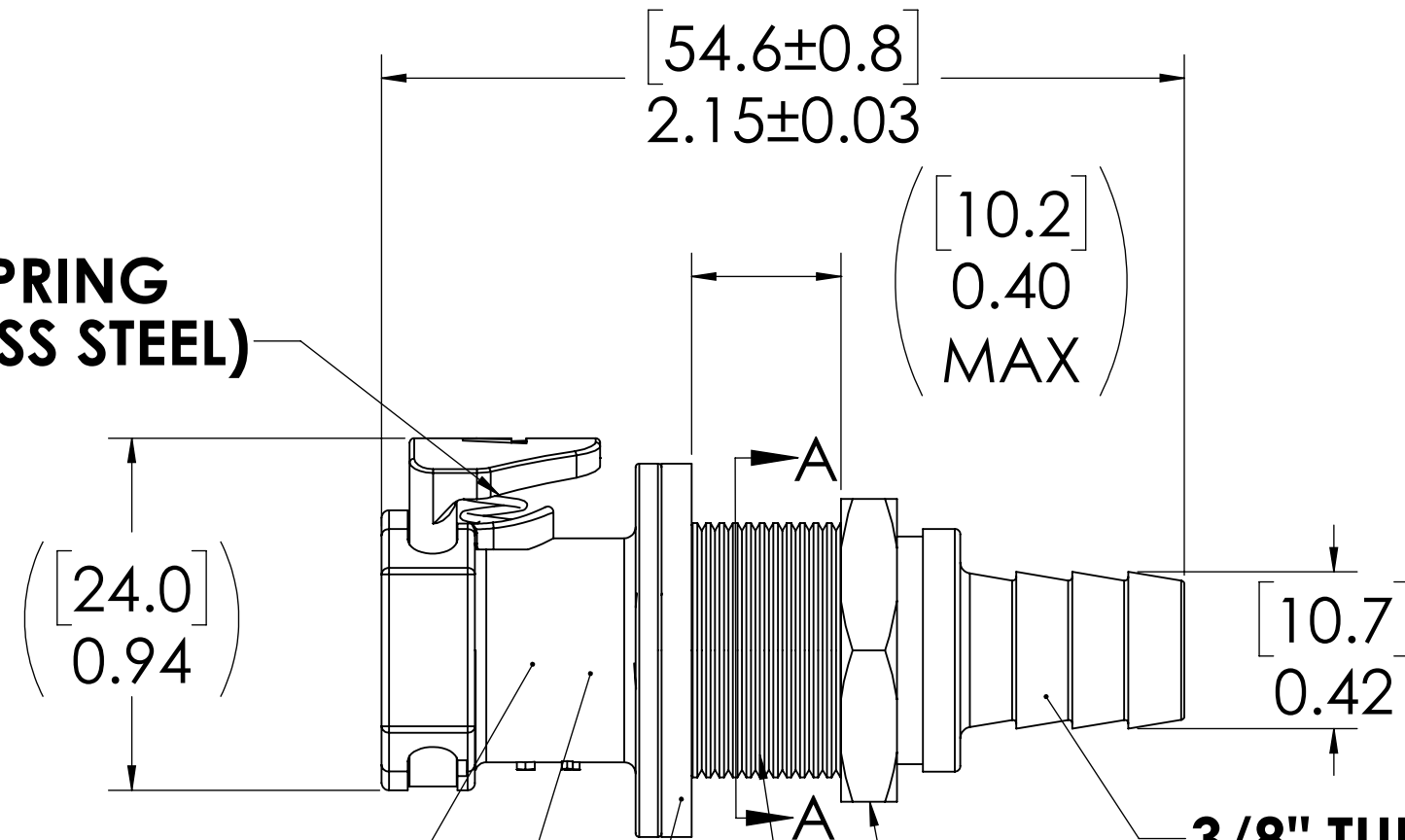


**SOCKET  
(POLYPROPYLENE)**



**VALVE  
(POLYPROPYLENE)**

**LATCH SPRING  
(STAINLESS STEEL)**



**VALVE SPRING  
INTERNAL  
(STAINLESS STEEL)**

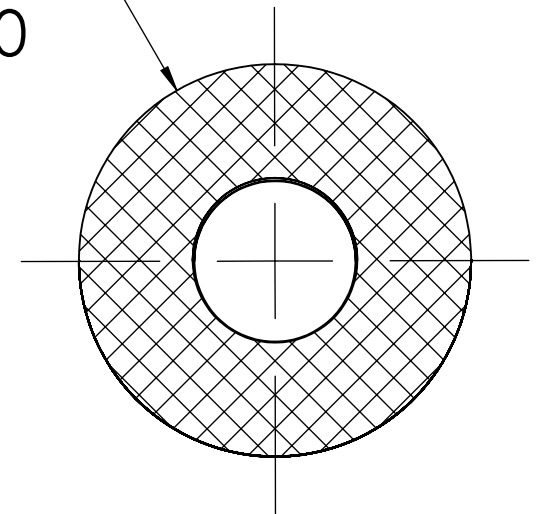
**VALVE O-RING  
INTERNAL  
(EPDM)**

**GASKET  
(EPDM)**

**PANEL NUT  
(BRASS, NICKEL PLATED)  
(PACKAGED SEPARATELY)**

**11/16" - 24 UNS THREAD**

**3/8" TUBE ID**



**PANEL OPENING  
(SECTION A-A)**

**NOTES:**

- MATERIAL: POLYPROPYLENE
- COLOR: GRAY
- O-RING AND GASKET MATERIAL: EPDM
- O-RINGS LUBRICATED WITH FOOD GRADE SILICONE OIL, 350 CST.

**FOR REFERENCE ONLY**

<small>UNLESS OTHERWISE SPECIFIED: DIMENSIONS ARE IN INCHES TOLERANCES: FRACTIONAL ±1/32 ANGULAR, MACH ±0.5 BEND ±2 ONE PLACE DECIMAL ±0.1 TWO PLACE DECIMAL ±0.01 THREE PLACE DECIMAL ±0.005 TWO PLACE DUAL (mm) [±0.12]</small>	DRAWN	LMP	6/13/2018	
	CHECKED	HRC	6/13/2018	
	ENG APPR.	HRC	10/30/18	
	MFG APPR.	BDB	10/30/18	
PRODUCTION	LS	10/30/18		<b>PART NO: 50PPV-SE3-06</b> <b>DESCRIPTION:</b> <b>LinkTech 50 PP Series Panel Mt. Hose Barb Socket, Valved, 3/8" HB, Polypropylene</b>
<small>PROPRIETARY AND CONFIDENTIAL THE INFORMATION CONTAINED IN THIS DRAWING IS THE SOLE PROPERTY OF LINKTECH LLC. ANY REPRODUCTION OR DISCLOSURE IN PART OR AS A WHOLE WITHOUT THE WRITTEN PERMISSION OF LINKTECH LLC IS STRICTLY PROHIBITED.</small>				<b>SIZE DWG. NO. REV</b> <b>C 50PP500065 A</b>
<small>SCALE: NTS WEIGHT:</small>			<small>SHEET 1 OF 1</small>	