



T&S BRASS AND BRONZE WORKS, INC.  
 2 SADDLEBACK COVE / P.O. BOX 1088 / TRAVELERS REST, SC 29690  
 PHONE 800-476-4103 FAX 864-834-3518



Model No.

B-0972

Item No.:

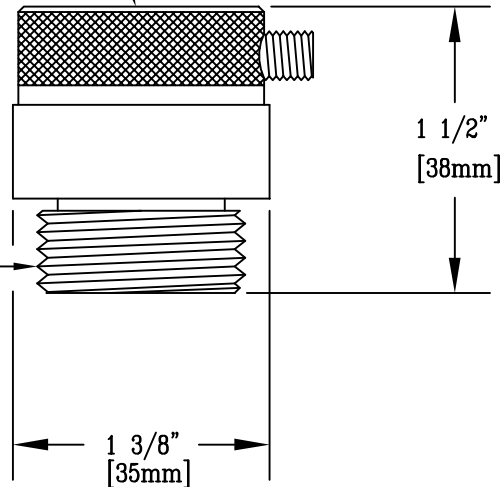
Job Name:

Architect/Engineer Approval:

Notes:

3/4" GARDEN HOSE  
 FEMALE INLET

3/4" GARDEN HOSE  
 MALE OUTLET



Product Description:  
 CHROME PLATED ATMOSPHERIC VACUUM BREAKER  
 WITH 3/4" GARDEN HOSE FEMALE INLET,  
 AND MALE OUTLET

Drawn:

WJS

Checked

SCM

Scale:

1' = 1'

Approved

CA

Date:

8/11/95