

**Softening Systems for Espresso Machines and Tea Brewers**



The 3M™ Water Filtration Products are carefully designed to protect beverage equipment, provide consistent beverage quality, and ensure seamless beverage service.

The sanitary quick change design allows for quick and easy cartridge change-outs and minimizes contamination of the filtration media.

The CS-900C Series built-in shut off valve allows cartridge change-outs without shutting off the water supply. Proper fit of the cartridge is assured with a 1/4 turn.

Its compact footprint allows the unit to be installed snugly behind the beverage unit or neatly under a cabinet, without the need for electrical connections or a drain.

The housing is durable and shatter-resistant, minimizing the potential for leaks.

3/8" vertical connections are compatible with common equipment and tubing installations.

Units are FDA, CFR-21 compliant for use in all food and beverage applications.

**Hardness Removal with Chlorine Reduction**

CS-900C  
CS-910C

Capacity: 700 grains  
Capacity: 1,100 grains

**Features**

- High capacity cationic exchange resin
- High capacity carbon
- 5 micron graded density integral filtration
- Sanitary quick change design

**Product Benefits**

- Reduces calcium and magnesium carbonates that form hard scale
- Extends equipment life
- Proven technology reduces cloudiness and extends holding time in brewed tea
- Reduces chlorine taste and odor
- Improves beverage quality
- Reduces sediment
- Reduces clogging of nozzles and valves
- Does not require electrical connections, floor drain or backwashing in order to function

## Quotation for Specified 3M™ Water Filtration Products

Specified Model # \_\_\_\_\_

Part # \_\_\_\_\_

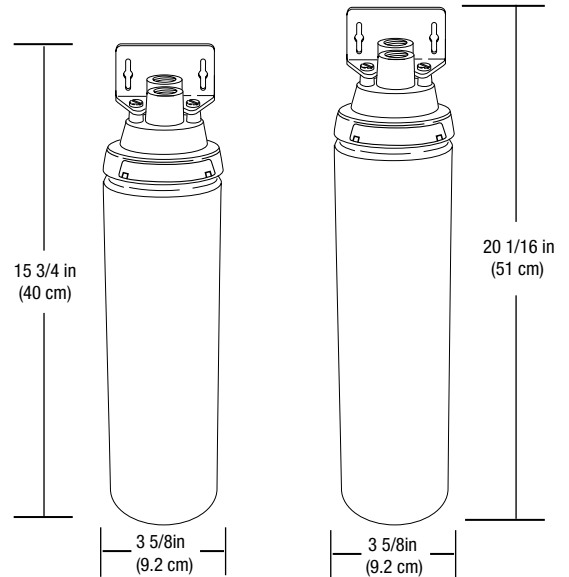
Price Quoted \_\_\_\_\_

Installed on what equipment \_\_\_\_\_

\_\_\_\_\_

\_\_\_\_\_

Quantity Required \_\_\_\_\_



### To calculate total gallons of softened water:

Capacity of cartridge in Grains divided by Hardness of Incoming Water in Grains per Gallon = Total Gallons of Softened Water

**Example:** 1,350 grains/5 grains per gallon hard water = 270 gallons (1,022 liters)

## Applications/Specifications

Model#	Part#	System Dimensions in (cm)	Replacement Cartridge	Part#	Chlorine Taste and Odor	Scale Inhibition	Sediment Reduction	Heavy Sediment	Cyst Reduction	Turbidity Reduction	Capacity Grains	Flow Rate gpm (lpm)	Carton Dimensions cu. ft. (cu. m.)	Carton Qty	Case
CS-900C	55993-06	15 3/4 x 3 5/8 (40 x 9.2)	CS-90C	55992-10	X	X	X				700	0.5 (1.89)	2.6 (0.07)	19 (8.6)	6
CS-910C	55993-08	15 3/4 x 3 5/8 (40 x 9.2)	CS-91C	55992-12	X	X	X				1,100	0.5 (1.89)	1.7 (0.05)	12 (5.4)	4

These installation tips are for informational purposes only and are not intended to be used as actual installation instructions.

### CAUTION: To reduce the risk associated with property damage due to water leakage:

#### To reduce the risk associated with property damage due to water leakage:

- Read and follow Use Instructions before installation and use of this system.
- Installation and use MUST comply with all state and local plumbing codes..
- Protect from freezing, remove filter cartridge when temperatures are expected to drop below 40° F (4.4° C).
- Do not install on hot water supply lines. The maximum operating water temperature of this filter system is 100°F (38°C).
- Do not install if water pressure exceeds 125 psi (862 kPa). If your water pressure exceeds 80 psi, you must install a pressure limiting valve. Contact a plumbing professional if you are uncertain how to check your water pressure.
- Do not install where water hammer conditions may occur. If water hammer conditions exist you must install a water hammer arrester. Contact a plumbing professional if you are uncertain how to check for this condition.
- The disposable filter cartridge must be replaced every 6 months, at the rated capacity or if a noticeable reduction in flow rate occurs.

**WARNING: To reduce the risk associated with the ingestion of contaminants: Do not use with water that is microbiologically unsafe or of unknown quality without adequate disinfection before or after the system.** Systems certified for cyst reduction may be used on disinfected water that may contain filtratable cysts. EPA Establishment #070595-CT-001

### Limited Warranty

CUNO Incorporated warrants this Product to be free from defects in material and workmanship for 5 years from the date of purchase. This warranty does not cover failures resulting from abuse, misuse, alteration or damage not caused by CUNO or failure to follow installation and use instructions. If the Product is defective CUNO will replace the Product or refund your Product purchase price. CUNO will not be liable for any indirect, special, incidental, or consequential damages arising from the use of this Product. Some states do not allow the exclusion or limitation of incidental or consequential damages, so the above limitation may not apply to you. To obtain warranty service, mail your request to Warranty Claims, CUNO Incorporated, 400 Research Parkway, Meriden, CT 06450. Proof of purchase (original sales receipt) must accompany the warranty claim, along with a complete description of the Product, model number and alleged defect. This warranty gives you specific legal rights and you may have other rights which vary from state to state, or country to country.

Distributed By:



**CUNO Incorporated**  
 400 Research Parkway  
 Meriden, CT 06450, USA  
 Toll Free: 1.888.218.CUNO  
 Worldwide: 203.237.5541  
 Fax: 203.238.8701  
 www.cunofoodservice.com