



41180 Raintree Court
Murrieta, CA 92562
1-888-304-0660
www.waterstoneco.com

ITEM NO:

3100, 3150

Traditional Wall Mounted Potfiller

INSTALLATION INSTRUCTIONS

TOOLS NEEDED FOR INSTALLATION

- 1/4" hex wrench (provided in installation kit)
- 3/32" hex wrench (provided in installation kit)
- Pencil or marker
- PTFE tape
- Small level, or carpenters square
- Power Drill with 1/4" drill.

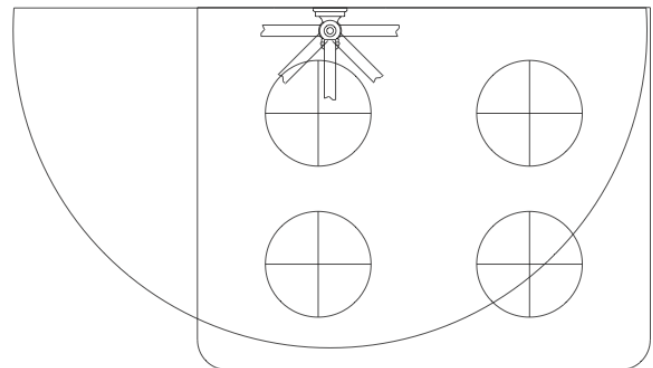
PREPARATION PRIOR TO INSTALLATION

(Instructions for your plumber)

ROUGH IN PLUMBING REQUIREMENTS: (the tools mentioned above do not apply to the rough in plumbing process)

Prior to installation of your Waterstone Potfiller, the rough in plumbing must be completed. Position of your potfiller should be considered prior to starting your rough in plumbing. When fully extended from the wall the reach of the potfiller is 22 inches. Indicate and use a position on your wall that will allow the potfiller to reach the furthest cooking position for filling. (see example below) We recommend aligning the potfiller valve either to the left side or right side of the edge of the cooking surface so that access to the valve ideally does not take the user over the center of the cooking area. (see diagram right)

Once the position of the potfiller has been determined, you can plumb the stub out pipe from your household water source. We specify a 1/2" NPT pipe nipple for the rough in plumbing stub out. The end of the stub out can only extend 1/2" beyond the mounting surface. We also recommend that the pipe be loosely strapped behind the wall to allow some play or in and out movement in the pipe extending beyond the wall (Your Waterstone potfiller uses a mounting plate to secure to the wall, some play between 1/8" and 1/4" will make the alignment easier). The height of the stub out pipe should be approximately 15 inches above the cooking surface. This will allow adequate clearance for most larger cook pots that will be filled by your potfiller. (see diagram below for behind the wall installation)



With the rough in plumbing complete, your potfiller can now be installed.



MADE IN THE USA



41180 Raintree Court
Murrieta, CA 92562
1-888-304-0660
www.waterstoneco.com

ITEM NO:

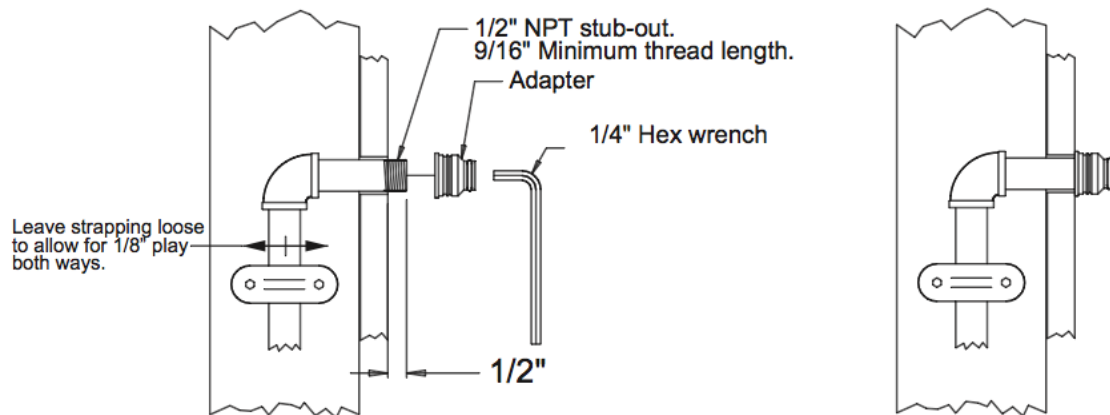
3100, 3150

Traditional Wall Mounted Potfiller

INSTALLATION INSTRUCTIONS

1. ATTACH THE PIPE ADAPTER

While first making sure the water source is off, attach the PIPE ADAPTER using the 1/4" hex wrench provided to the stub out pipe nipple on the wall. Make sure to use some Teflon tape on the pipe threads to get a good watertight seal. Using the hex wrench, screw the PIPE ADAPTER down on the pipe until the base of the adapter is flush with the wall surface. (see diagrams below)



2. ALIGN THE MOUNTING PLATE

Place the mounting plate over the PIPE ADAPTER. The adapter should be positioned in the hole at the bottom of the plate. The plate should fit flat to the wall surface. Using a level, or a carpenters square, position the plate straight up and down on the wall by placing the level or the square on the edge of the plate. Hold the plate in place and mark the four mounting screw hole positions on the wall surface using the mounting plate as a template. Remove the plate.

3. DRILL THE FOUR MOUNTING HOLES

Waterstone provides four plastic inserts with four mounting screws to secure your MOUNTING PLATE to the wall. Pre-drill the four holes using a 1/4" drill on the four marks you made using the mounting plate during alignment.

WARNING – Before drilling into any wall you should take precautions to not drill into any electrical or water lines behind the surface of your wall.

You can use a variety of fasteners to attach the mounting plate if you prefer. However, make sure that the head of the fastener does not protrude above the surface of the plate, or the faucet assembly will not attach correctly to the plate. The size of the screw provided in the assembly kit is a number 8 flat head screw.



MADE IN THE USA



41180 Raintree Court
Murrieta, CA 92562
1-888-304-0660
www.waterstoneco.com

ITEM NO:

3100, 3150

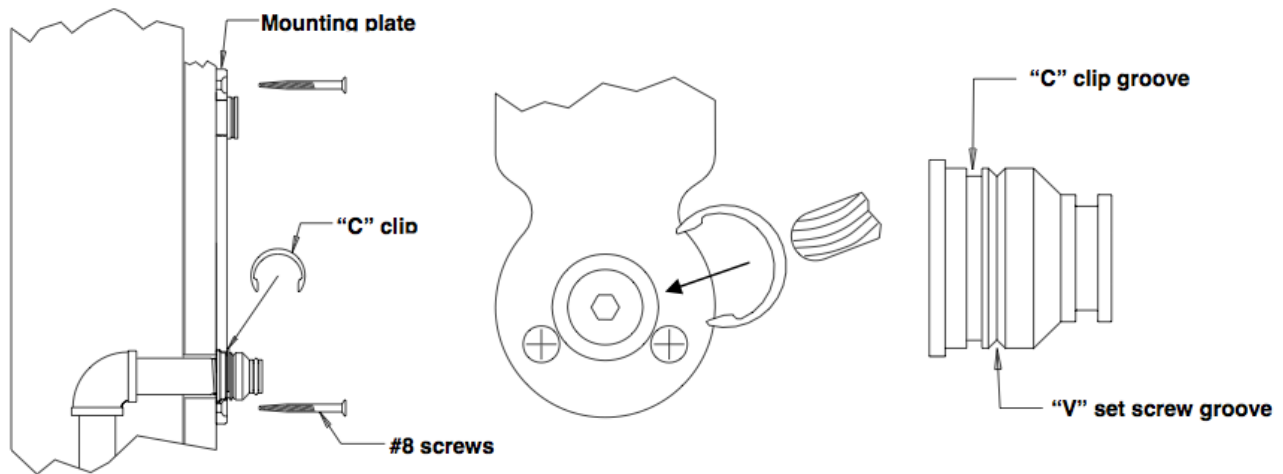
Traditional Wall Mounted Potfiller

INSTALLATION INSTRUCTIONS

4. ATTACH THE MOUNTING PLATE

Reposition the MOUNTING PLATE over the PIPE ADAPTER. The four predrilled screw locations should line up with the four screw holes on the plate. Screw the MOUNTING PLATE to the wall. Once this is complete, use the C-CLIP provided in the assembly kit to secure the PIPE ADAPTER to the MOUNTING PLATE (if the pipe has play in and out, you might need to pull on the adapter to expose the C-CLIP groove.) Push the C-CLIP into the groove closest to the MOUNTING PLATE. Use a wooden stick to help prevent an accidental scratch on the plate as you install it. Do not attach the C-CLIP to the "V" set screw groove. (see diagrams below)

Note: The C-Clip MUST be installed to insure that the pipe adapter is properly located for the attachment of the potfiller assembly.



MADE IN THE USA



41180 Raintree Court
Murrieta, CA 92562
1-888-304-0660
www.waterstoneco.com

ITEM NO:

3100, 3150

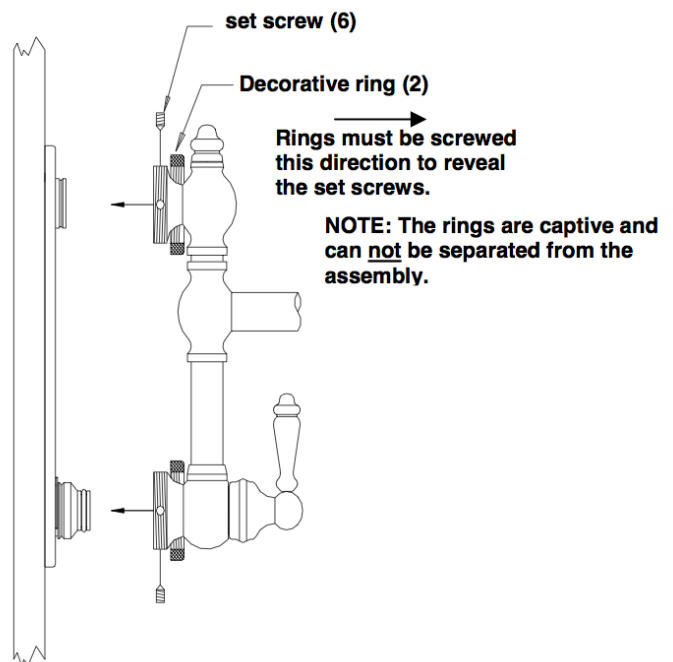
Traditional Wall Mounted Potfiller

INSTALLATION INSTRUCTIONS

5. ATTACH THE POTFILLER TO THE MOUNTING PLATE

Your potfiller comes pre-assembled. Once the mounting plate is secure on the wall you are ready to attach the potfiller assembly. The upper and lower mounting bases on the potfiller have threaded decorative rings to hide the mounting set screws. Unscrew the upper and lower rings **away** from the mounting surface to reveal the threads and set screws.

Back off or remove the three upper and three lower set screws on the upper and lower mounting bases. The assembly will slide on to the PIPE ADAPTER and the UPPER MOUNTING POST on the plate. (see diagram) Push the faucet assembly onto the posts until it is touching and flush with the mounting plate. The last 1/8" of distance may require a little extra push to get the valve assembly to slide over the o-ring on the adapter (a couple of drops of liquid dish soap spread onto the o-ring will help.) At this point, replace and tighten the lower three set screws and the upper three set screws using the 3/32" hex wrench provided in your installation kit. **DO NOT OVERTIGHTEN THE SET SCREWS.** Snug tight and firm is all you need. Once all six set screws are in place, thread the decorative upper and lower rings back onto the mounting bases to conceal the threads and the set screws. Hand tighten only, do not use a wrench.



Important note: If the set screw points are not properly seated into the "V" groove, the tops of the set screws will not allow the decorative rings to be threaded into place – **this is a safety feature that assures a proper connection to the pipe adapter.**

DO NOT modify or use different set screws than those provided.

At this point the installation procedure is complete. You can restore water pressure to the line and check for any leaks. If for any reason you have some questions or concerns, please call us at Waterstone for technical assistance toll free at: **888-304-0660**



MADE IN THE USA



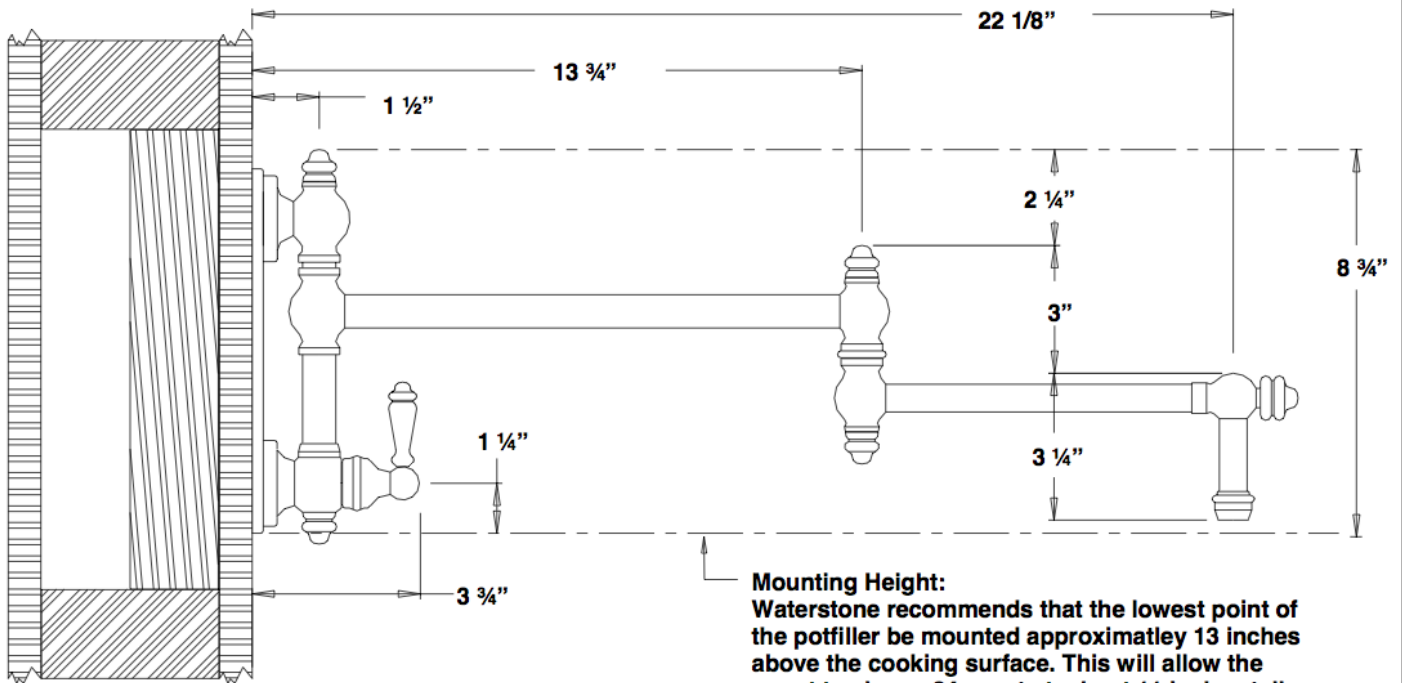
41180 Raintree Court
Murrieta, CA 92562
1-888-304-0660
www.waterstoneco.com

ITEM NO:

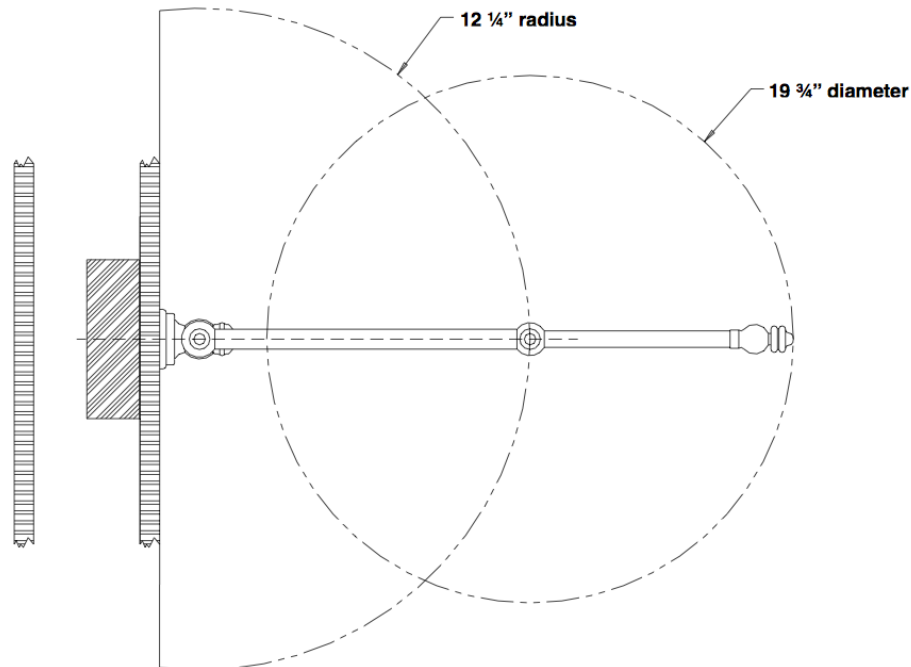
3100, 3150

Traditional Wall Mounted Potfiller

INSTALLATION INSTRUCTIONS



Mounting Height:
Waterstone recommends that the lowest point of the potfiller be mounted approximately 13 inches above the cooking surface. This will allow the spout to clear a 24-quart stockpot 11 inches tall.
-Taller pots should have a MINIMUM of 1 inch clearance between the tip of the spout and the flood stage of the pot.



MADE IN THE USA



41180 Raintree Court
Murrieta, CA 92562
1-888-304-0660
www.waterstoneco.com

ITEM NO:

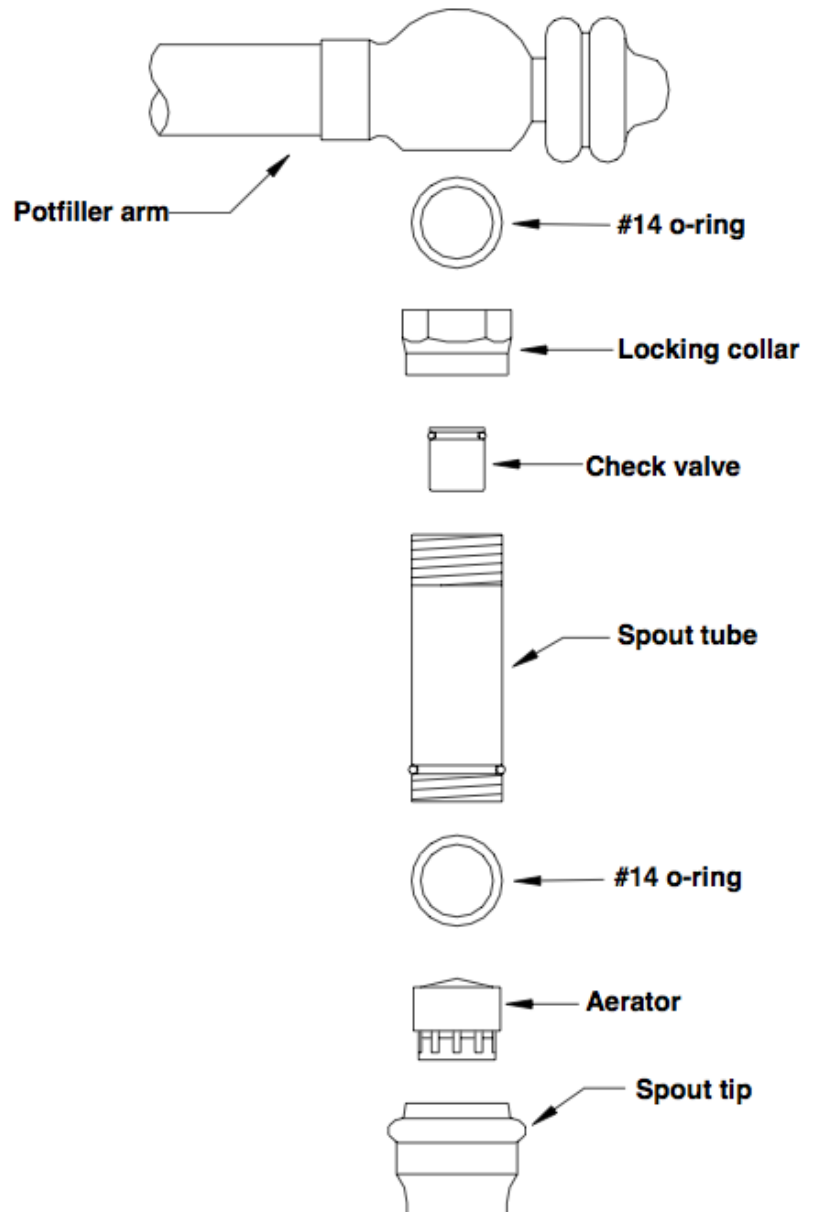
3100, 3150

Traditional Wall Mounted Potfiller

INSTALLATION INSTRUCTIONS

Maintenance:

Your potfiller is engineered and built with an easily removable aerator in the tip. If the stream of water is not straight and smooth flowing, debris from the household water system may be trapped in the aerator screen. To clean, unscrew the tip and clean any dirt/debris collected on top of the aerator. The tip can be re-installed without any pipe tape or sealant, it has an o-ring seal to make cleaning and re-assembly easy.



MADE IN THE USA



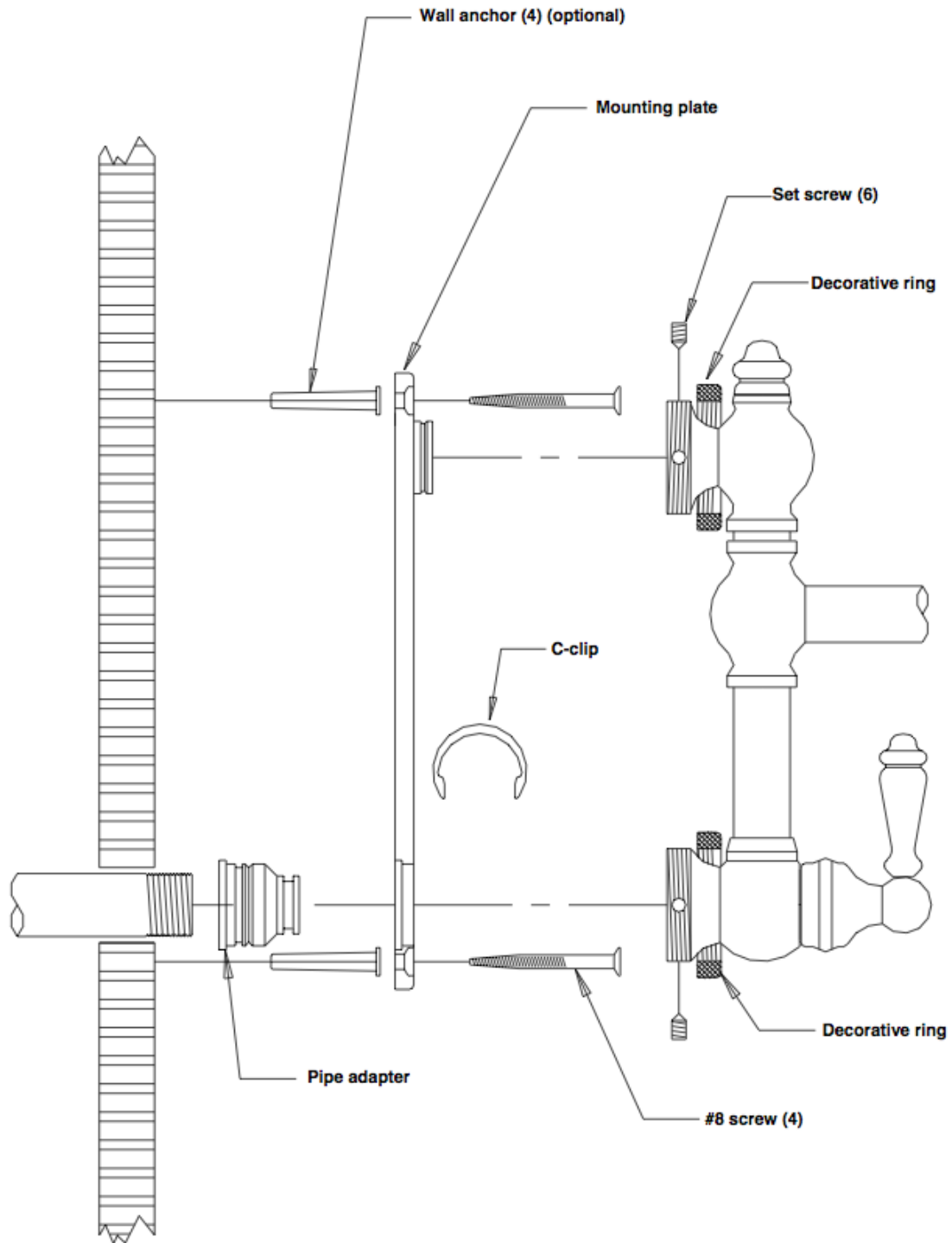
41180 Raintree Court
Murrieta, CA 92562
1-888-304-0660
www.waterstoneco.com

ITEM NO:

3100, 3150

Traditional Wall Mounted Potfiller

INSTALLATION INSTRUCTIONS



MADE IN THE USA