



## Drain II Air Gap Adapter

G.A. Murdock's Drain II Air Gap Adapter provides a splash-free dual air gap connection for installing up to 2 effluent producing water systems.

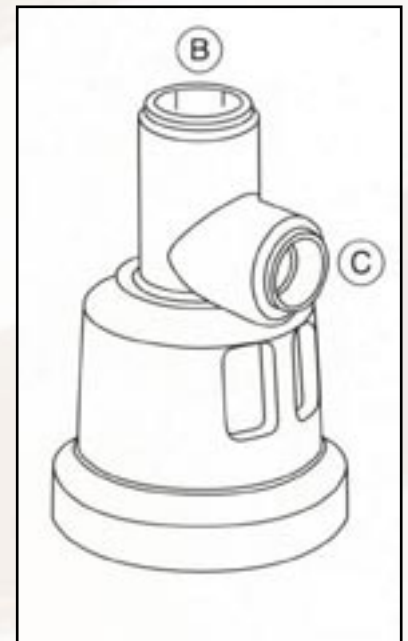
### Air Gap Features:

- Constructed of PVC or ABS
- Mur-lok® fittings for quick installation
- Connects to 3/8", 1/2", 5/8" ID water softener drain line
- Connects to 1/4", 3/8", 1/2" OD RO drain line
- Easily attaches to either 1.5" or 2" Standpipes
- Can be permanently bonded to PVC or ABS standpipe with PVC/ABS Cement
- Meets national plumbing code standards
- 45° Barb fittings for optimal drain line connections



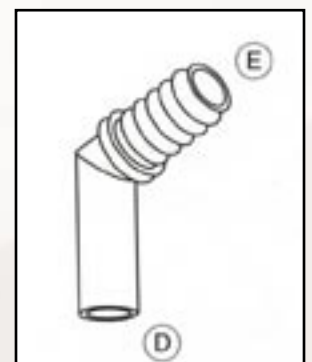
### Drain II Air Gap Adapter

Item #	Material	Top Port(B)	Side Port (C)
M3208007	White PVC	1/2" Mur-lok®	None
M3208047	White PVC	1/2" Mur-lok®	1/4" Mur-lok®
M3208067	White PVC	1/2" Mur-lok®	3/8" Mur-lok®
M3208107	White PVC	1/2" Female NPT	None
M3208147	White PVC	1/2" Female NPT	1/4" Mur-lok®
M3208167	White PVC	1/2" Female NPT	3/8" Mur-lok®
M3208006	Black ABS	1/2" Mur-lok®	None
M3208046	Black ABS	1/2" Mur-lok®	1/4" Mur-lok®
M3208066	Black ABS	1/2" Mur-lok®	3/8" Mur-lok®



### 45° Barbed Elbows for Drain II

Item #	Stem (D)	Barb (E)
N0860647	1/2"	3/8" Hose Barb
N0860847	1/2"	1/2" Hose Barb
N0861047	1/2"	5/8" Hose Barb



G.A. Murdock, Inc.

Phone: 800-568-7565 or 605-256-9632  
 Fax: 800-568-4301 or 605-256-9682  
 Web: [www.gamurdock.com](http://www.gamurdock.com)  
 Email: [sales@gamurdock.com](mailto:sales@gamurdock.com)