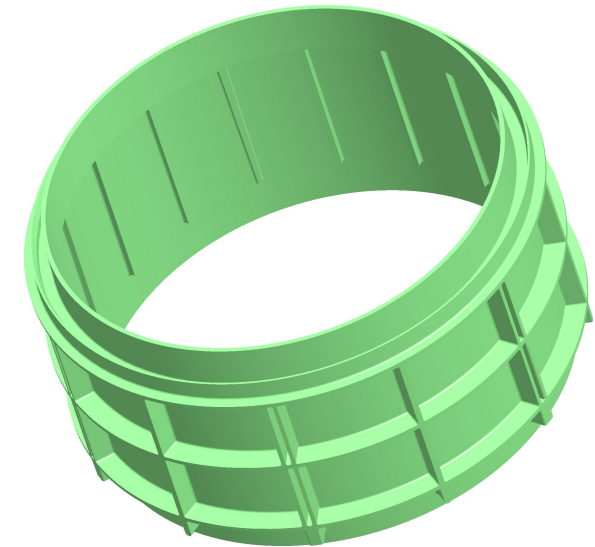
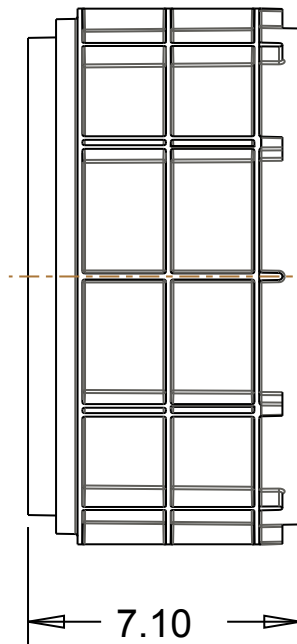
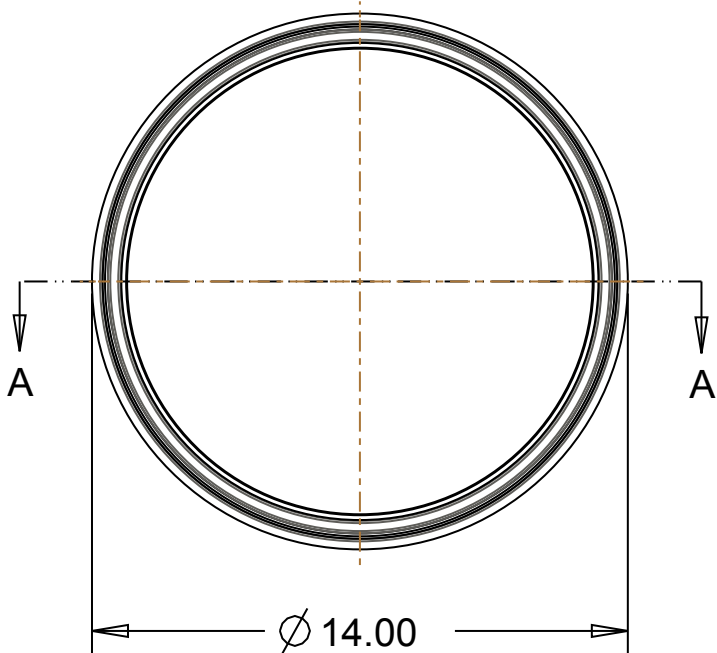
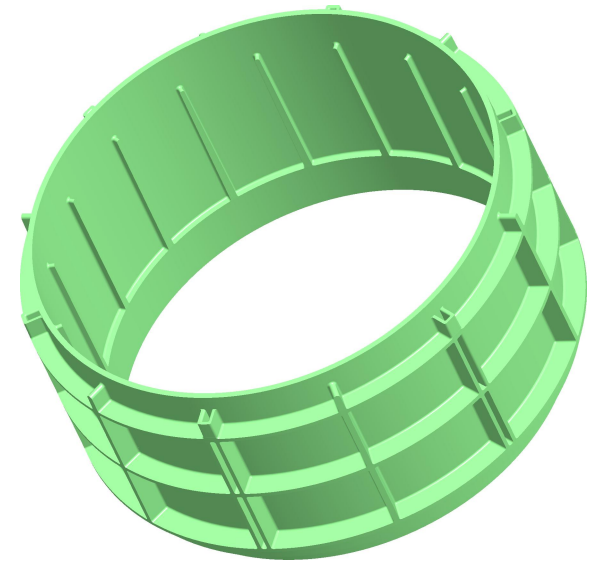


SECTION A-A



Material: Copolymer Polypropylene  
Color: Green



**Drainage and Septic Products**

Tuf-Tite, Inc.  
1200 Flex Court  
Lake Zurich, Illinois 60047

TELEPHONE: 847.550.1011  
TOLL FREE: 800.382.7009  
FAX: 847.550.8004

**PART NAME:**  
12" DIA. x 6" HIGH ROUND RISER

**PART #:**  
12-RIS-GREEN