

Bent Tap Connector

Easily connects to a tap connections with horizontal feeds (washer included)

Overview

Speedfit plastic push-fit fitting for the connection of plastic or copper pipes to fixtures or appliances with a MBSP connection point (horizontal pipe runs). The tap connector comes complete with brass swivel nut and sealing washer. Simply push the fitting fully onto the pipe and hand turn onto the thread.

To demount the connection, push the collet towards the body of the fitting and pull the pipe to release.

The fitting is up to 40% faster to install than traditional methods and is easier to use in confined spaces by removing the need for hot works and tools.

Designed, manufactured and assembled in the UK.

Features

- Instant push-fit connection
- Install and demount in seconds without tools
- Safe flame-free installation, with no hot works, glue or flux
- Grip & Seal collet with stainless steel teeth and main O-Ring seal
- Twist & Lock mechanism secures fitting and adds compression
- Non-toxic, resists corrosion and no scale build-up
- Suitable for use with JG Speedfit PEX and polybutylene barrier pipe (inserts required) and copper pipe
- Suitable for hot and cold water and central heating systems



Product code	Description	Size
PEMBTC1014	Bent Tap Connector	10mm x 1/2" BSP
PEMBTC1514	Bent Tap Connector	15mm x 1/2" BSP



Bent Tap Connector

Working parameters & specifications

Operating temperature	20 bar at 20°C
Ambient temperature	6 bar at 65°C

Application

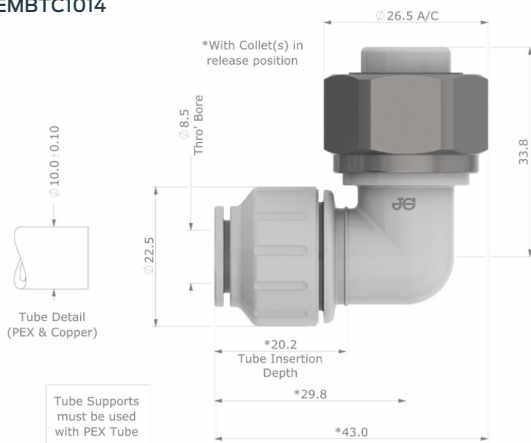
Hot and cold water	✓
--------------------	---

Materials

Valve body	Polyethylene (Cross Linked) White
Collet	Acetal copolymer (unfilled), white & stainless steel
Retaining Ring	Acetal copolymer (unfilled), Light Grey
Tube stop	Acetal copolymer (unfilled), yellow & stainless steel
BSP captive nut	Brass (CW614N)
Compression Ring	Acetal copolymer (unfilled), Dark grey
O-Ring & BSP Sealing Washer	Ethylene propylene (EPDM), black
Cap	Nylone 6 (Mineral Filled) White

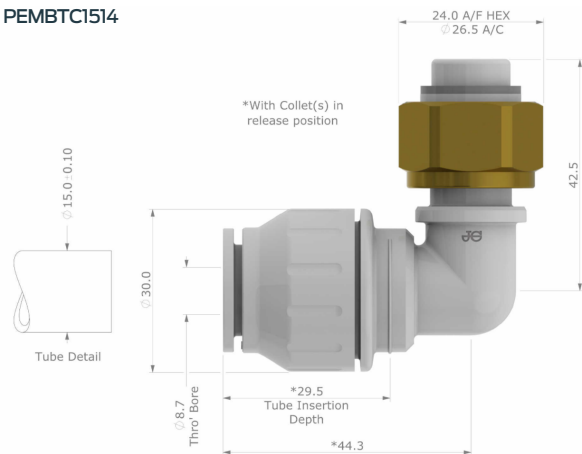
Dimensions – All measurements in mm unless otherwise stated

PEMBTC1014



Dimensions in mm

PEMBTC1514



Dimensions in mm