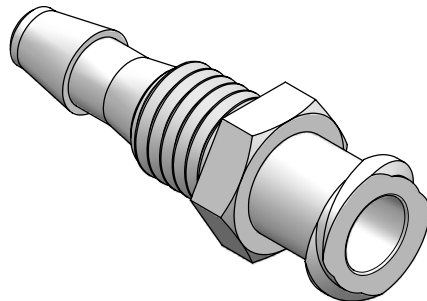
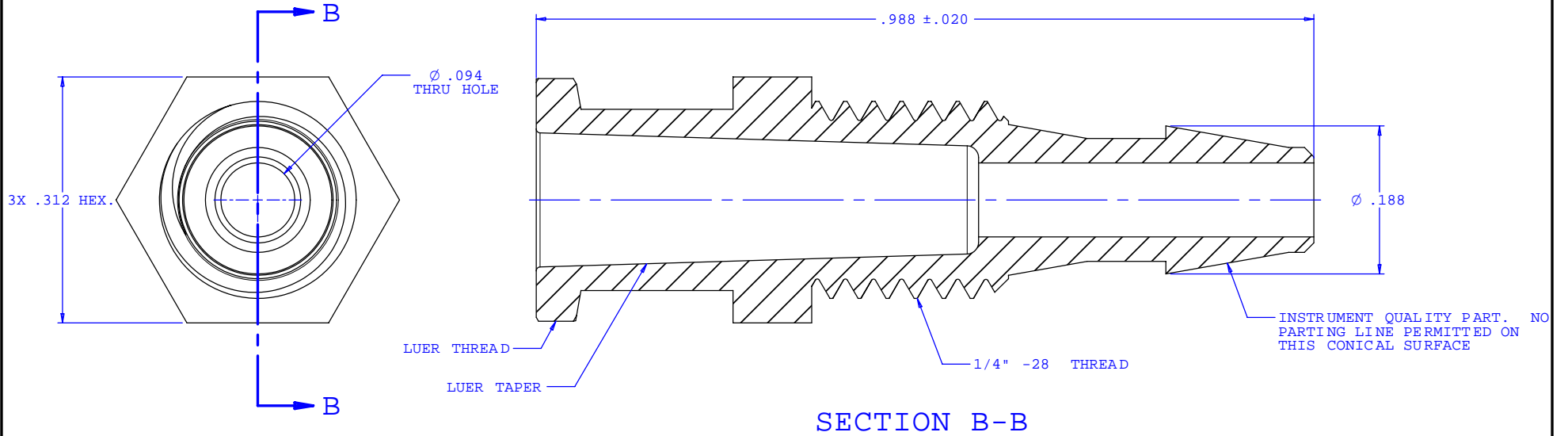


NOTE: FOR MORE DETAILS SEE YOUR V.P.CUSTOMER SERVICE REP.

REVISIONS			
REV.	DESCRIPTION	DATE	APPROVED
A	INITIAL RELEASE	03-09-97	
B	CO 016 Drafting Update	07-11-05	Rick C.



UNLESS OTHERWISE SPECIFIED DIMENSIONS ARE IN INCHES TOLERANCES ARE:		<b>VALUE PLASTICS, INC.</b>	
FRACTIONS ±	DECIMALS .XX ±.01 .XXX ±.005 .XXXX ±.001	ANGULAR ±1°	PART NUMBER: <b>FTLLB 230</b>
DO NOT SCALE DRAWING		DESCRIPTION: Female Luer Thread Style Panel Mount 1/4-28 UNF to 200 Series Barb, 1/8" (3 mm) ID Tubing	
DRAWN BY: <b>Frank Lombardi</b>	DATE: <b>05-10-05</b>	SIZE: <b>B</b>	SCALE: <b>NTS</b>
Engineer/Manager: <b>Rick Cairns</b>		DRAWING NUMBER: <b>1006658</b>	REV. <b>B</b>
		© 2005 VALUE PLASTICS, INC.	SHEET: 1 OF 1

**FOR REFERENCE ONLY**