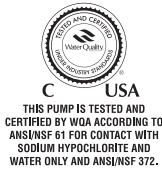
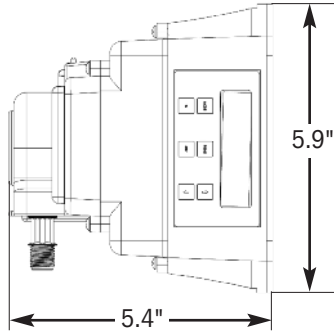
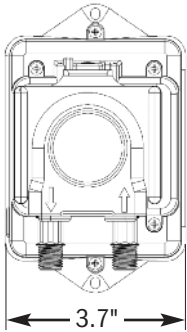


ECON FP SERIES SPECIFICATIONS

STENNER PUMPS



SHIPPING WEIGHT 4 lbs (1.8 kg)



FEATURES

- Pump is field programmable to accept a dry contact signal or a 12-24 VAC/VDC input signal from any control equipment that responds to flow
- cULus for indoor/outdoor use
- 3-point roller design assists in anti-siphon protection
- Pump head requires no valves, allows for easy maintenance
- Self-priming against maximum working pressure, foot valve not required
- Pump does not lose prime or vapor lock
- Pumps off-gassing solutions and can run dry
- Output volume is not affected by back pressure
- Easy to change pump tube; lubrication is not required

- Output Control** Six button control panel with LCD display
- Reproducibility** ±2%
- Maximum Working Pressure** 80 psi (5.5 bar)
- Maximum Operating Temperature** 104°F (40°C)
- Maximum Suction Lift** 25 ft (7.6 m) vertical lift, based on water
- Motor Type** 24 VDC, brushless
- Approximate Shaft RPM** 60
- Duty Cycle** Continuous
- Motor Voltage (Amp Draw)** 120V 60Hz (0.17)
- Power Cord Type** STP-2W
- Power Cord Plug End**

Wall adapter power supply 100-120V, 60Hz, 0.75A input, two prong, polarized 24VDC, 1.25A, Class II output

MATERIALS OF CONSTRUCTION

- All Housings** Polycarbonate
 - Pump Tube & Check Valve Duckbill** Santoprene™, FDA approved
 - Pump Head Rollers** Polyethylene
 - Suction/Discharge Tubing, Ferrules** Polyethylene, FDA approved
 - Tube Fittings** Polypropylene, NSF listed
 - Check Valve Fittings** Type 1 Rigid PVC, NSF listed
 - Connecting Nuts** PP or Type 1 Rigid PVC
 - Suction Line Strainer** PP or Type 1 Rigid PVC body with Type 1 Rigid PVC cap, NSF listed; ceramic weight
 - All Fasteners** Stainless steel
- * Santoprene™ is a registered trademark of Exxon Mobil Corporation.

ACCESSORY KIT SHIPPED WITH EACH PUMP

- 3** connecting nuts 1/4"
- 3** ferrules 1/4"
- 1** injection check valve
- 1** weighted suction line strainer 1/4"
- 1** 20' roll suction/discharge tubing 1/4" white
- 1** additional pump tube
- 1** manual

OUTPUT

Item Number Prefix	Pump Tube	Roller Assembly	Turndown Ratio	Gallons per Day	Gallons per Hour	Ounces per Hour	Ounces per Minute	Pressure psi	Liters per Day	Liters per Hour	Milliliters per Hour	Milliliters per Minute	Pressure bar
E20PHF	F	White	10:1	4.5	0.19	24.00	0.40	80	17.0	0.71	708.8	11.8	5.5
E20PHG	G	Black	10:1	16.0	0.67	85.33	1.42	80	60.5	2.52	2520.0	42.0	5.5
E20PHH	H	Black	10:1	30.0	1.25	160.00	2.67	80	113.4	4.72	4725.0	78.8	5.5

Approximate Maximum Outputs @ 50/60Hz

NOTE: Injection check valve is included.

! NOTICE: The information within this chart is solely intended for use as a guide. The output data is an approximation based on pumping water under a controlled testing environment. Many variables can affect the output of the pump. Stenner Pump Company recommends that all metering pumps undergo field calibration by means of analytical testing to confirm their outputs.

This information is not intended for specific application purposes. Stenner Pump Company reserves the right to make changes to prices, products, and specifications at any time without prior notice.

FSPECEFP 0116



STENNER PUMP COMPANY

Jacksonville, Florida USA

www.stenner.com

© Stenner Pump Company All Rights Reserved