



T&S BRASS AND BRONZE WORKS, INC.
 2 Saddleback Cove / P.O. Box 1088
 Travelers Rest, SC 29690

Model No.
B-0157

Item No.

Travelers Rest, SC: 800-476-4103 • Simi Valley, CA: 800-423-0150 • Fax: 864-834-3518 • www.tsbrass.com



ADA Compliant

This Space for Architect/Engineer Approval

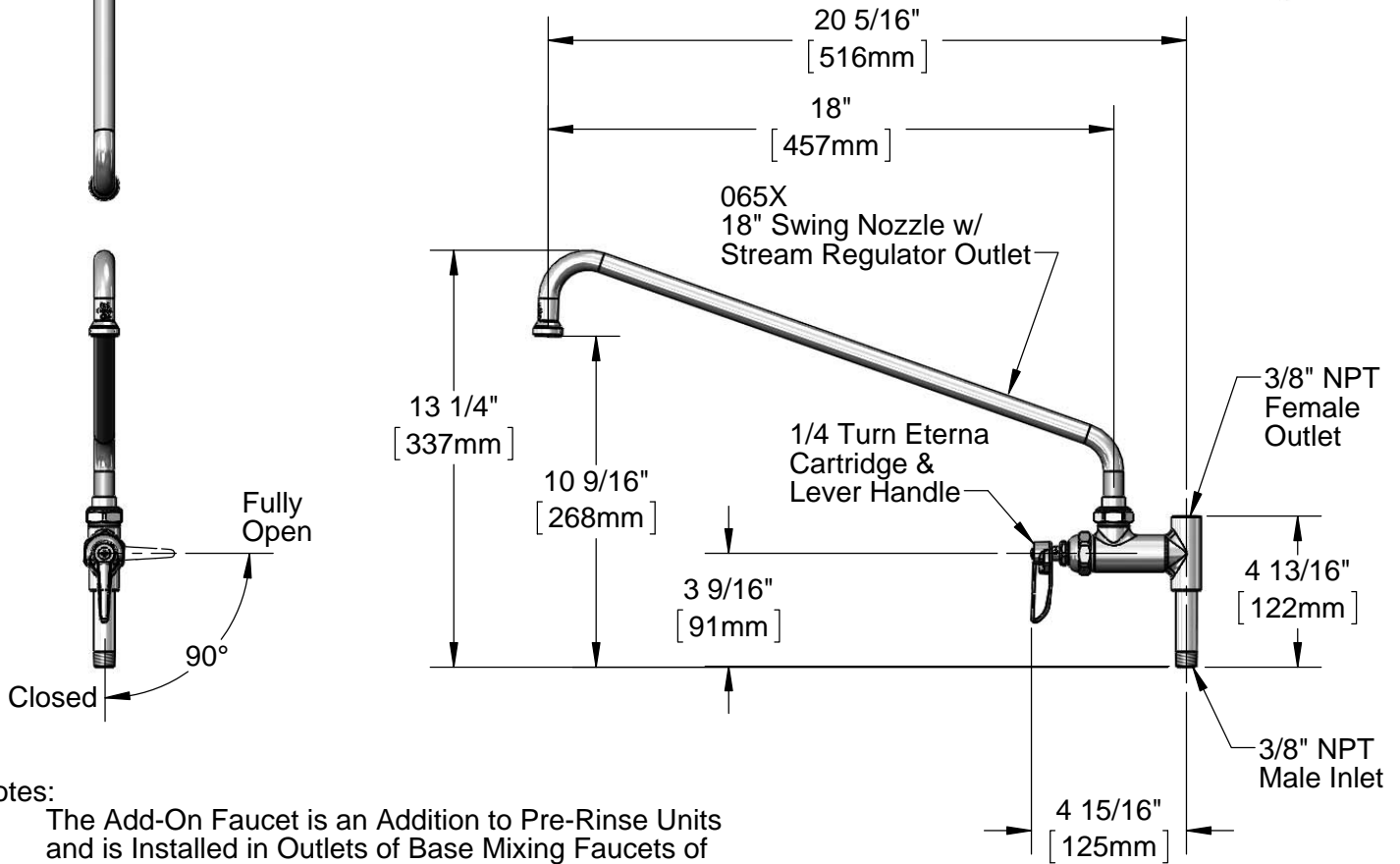
Job Name _____ Date _____

Model Specified _____ Quantity _____

Customer/Wholesaler _____

Contractor _____

Architect/Engineer _____



Notes:

1. The Add-On Faucet is an Addition to Pre-Rinse Units and is Installed in Outlets of Base Mixing Faucets of Units Before Fitting Riser Pipes
2. Lever Handle Controls Water On-Off Thru Nozzle Only. Pressure is Always "On" in the Riser Pipe (Controlled by Base Mixing Faucet)

Product Specifications:
 Add-On Faucet w/ 1/4 Turn Eterna Cartridge, Lever Handle & 18" Swing Nozzle w/ Stream Regulator Outlet

Drawn KJG	Checked DMH	Approved JHB
---------------------	-----------------------	------------------------

Scale: 1:6	Date: 08/16/13
----------------------	--------------------------



T&S BRASS AND BRONZE WORKS, INC.

2 Saddleback Cove / P.O. Box 1088
Travelers Rest, SC 29690

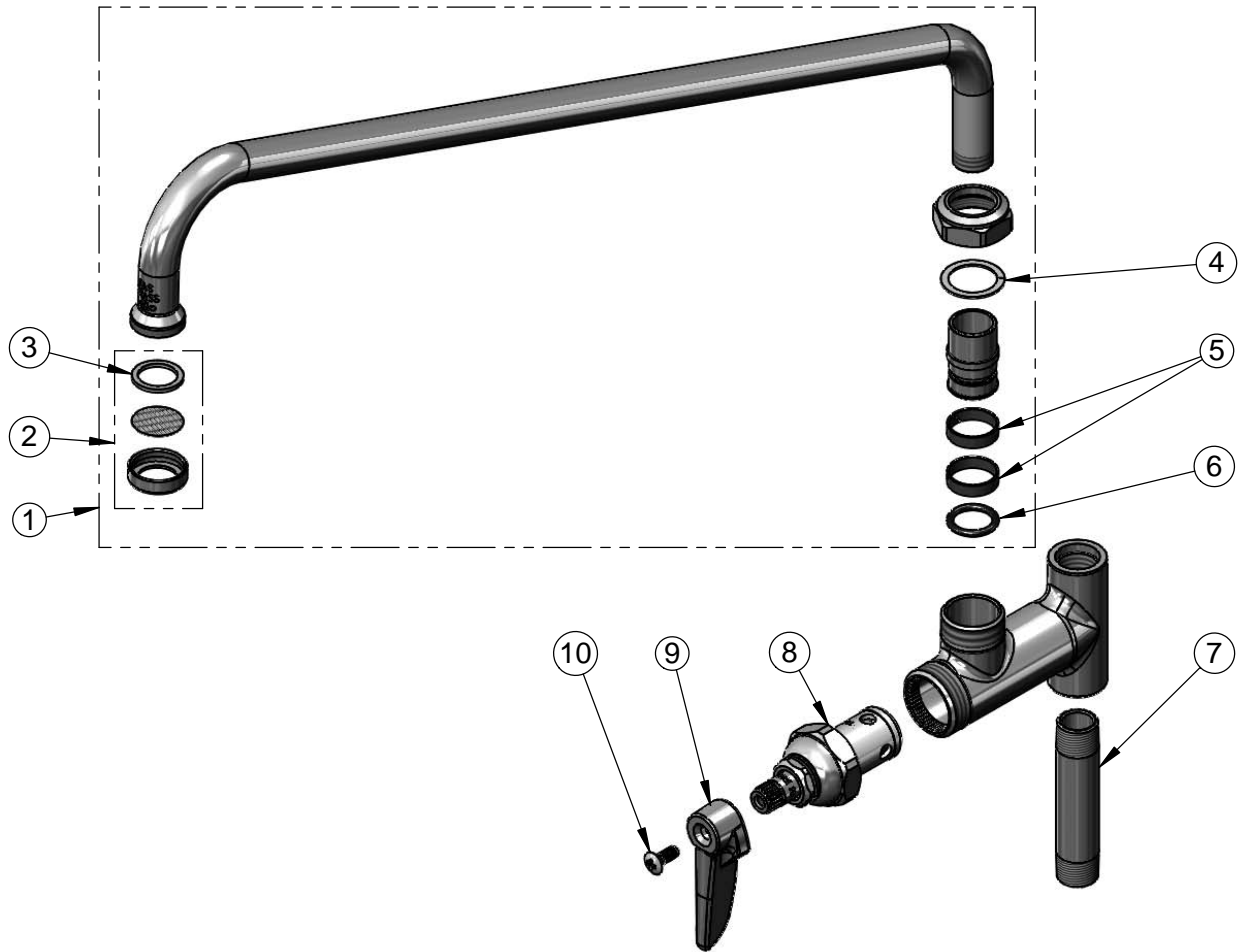
Model No.

B-0157

Item No.

Travelers Rest, SC: 800-476-4103 • Simi Valley, CA: 800-423-0150 • Fax: 864-834-3518 • www.tsbrass.com

ITEM NO.	SALES NO.	DESCRIPTION
1	065X	18" Swing Nozzle w/ Stream Regulator
2	B-PT	Stream Regulator
3	001048-45	Nozzle Tip Washer
4	009538-45	Swivel Washer
5	011429-45	Swivel Sleeves (2)
6	001074-45	O-Ring
7	000358-40	3/8" NPT x 3" Nipple
8	005960-40QT	1/4 Turn Eterna Cartridge, RTC
9	001638-45	Lever Handle
10	000922-45	Lever Handle Screw



Product Specifications:
Add-On Faucet w/ 1/4 Turn Eterna Cartridge, Lever Handle & 18" Swing Nozzle w/ Stream Regulator Outlet

Drawn

KJG

Checked

DMH

Approved

JHB

Scale:

NTS

Date:

08/16/13