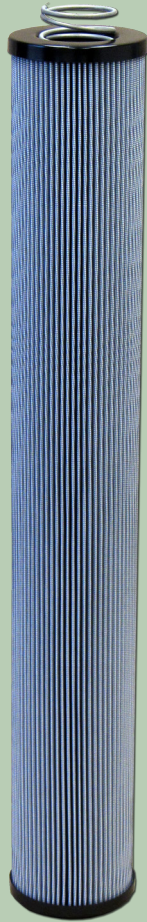
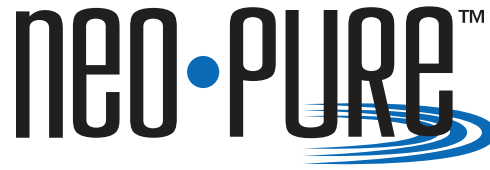


# HYL Series

## Hydraulic & Lubrication Filter



### Commercial/Industrial Filtration Applications

## Standard Features

- Manufactured in the USA
- ISO 16889 and Dynamic Filter Efficiency Testing
- Media provides high flow rates, low pressure drop and stable & dependable Beta x[c] rated efficiencies
- Multi-layer Dual Phase Microglass pleated media
- Neo-Pure Hydraulic Series Filters have screened, synthetic media designed for high flow rates
- Rigid-pleat structure that is supported by an epoxy coated carbon steel mesh
- Viton O-ring seal with external hold-down spring

## Product Specifications

### Micron Rating (Absolute)

Beta 12[c]  $\geq$  1000

### Cartridge Lengths

26" (66.04 cm)

### Inside and Outside Diameters

2.17" (5.51 cm) ID, 3.78" (9.60 cm) OD

### Cartridge Style

Single Open Ended (SOE) with Spring

### Flow Direction

Out to In

### Maximum Operating Temperature

250°F (121°C) temperature Limit

### Recommended Change-Out Differential Pressure

25 psid (1.72 bar)

### Maximum Pressure

150 psid (10.34 bar)

### Materials of Construction

Filter Media: Microglass Supported both Sides

Inner Core: Electro-Tin Plated CS

End Cap: Corrosion Resistant CS/AL

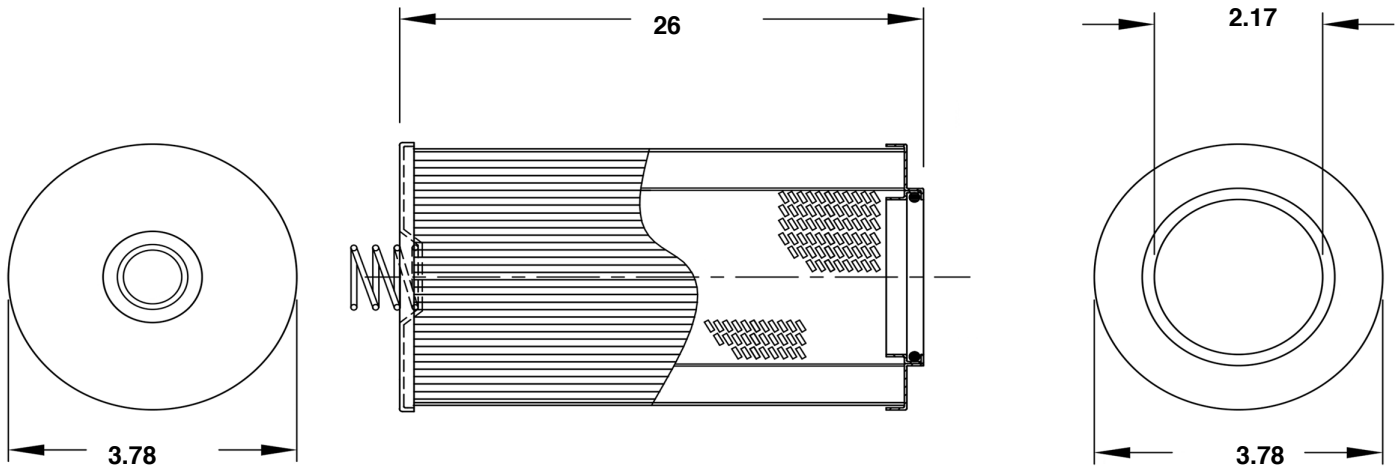
## Applications

- Petroleum & Synthetic based Hydraulic Fluids
- Turbine & Compressor lube oil
- Bearing & Gear oil



USA MADE

## Dimensions (Part Number: HYL426-12VS)



## Compatible Filter

- Pall
- Parker
- Hypro
- Donaldson
- Hilco
- Schroeder
- Hycon
- PTI
- Purolator

## Packaging

1 per carton, 6 lbs. RSC



9450 SW Gemini Dr, ECM #83358, Beaverton, OR 97008  
Tel 855.896.3525 · Fax 866.409.9622  
[www.neologicsolutions.com](http://www.neologicsolutions.com) · [info@neologicsolutions.com](mailto:info@neologicsolutions.com)  
STUART, FL · BEAVERTON, OR · GREENVILLE, SC · SAN DIEGO, CA

### QUESTIONS?

Ask one of our Service Representatives:  
Mon-Fri 8a-8p, Sat 8:30a-4:30p EST

We ship six  
days a week!

