

PROCON
3/4 HP
MOTOR
PART
NUMBER
872



GE Industrial Systems

Motor Details

Print

Close

Model :	5KH37PNA479X	Catalog Number :	H714
General:			
Application :	CARBONATOR PUMP	Motor Category :	COMPLETE MOTOR
Phases :	1	# Of Speeds :	1
Replaces :		Replaced By :	
TestSpec # :	52X332391P1	Production Status :	PROD
Horiz/Vertical :	ANY	Stock Status :	STOCK
Product Name :	N/R	Approved For Sale :	Y
Base Mounting :	RB	Restricted Flag :	N
DE Endshield :	CARB	First Customer :	GE-SUPPLY
		Customer Part # :	

Nameplate Data :

Horsepower :	3/4	GE Type :	KH
RPM :	1725	Time Rating :	CONT
Voltage :	115/230	NEMA Design :	
FL Amps :	10.4/5.2	KVA Code :	L
Enclosure :	DP	Nominal Efficiency :	0
Frame :	48Y	Min Guar. Efficiency :	0
Frequency :	60	Service Factor :	1.0
Insulation Class :	B	Service Factor Amps :	-
		Alternate Service	
Ambient :	40	Factor :	

Alternate Ambient : 0

5 CAT NO H714

Features :

UL Recognized :	Y	CSA Approved :	Y
Main Poles :	4	Other Poles :	4
Synch RPM :	1800	# of Windings :	2
Start Device :	SM	Insulation Treatment :	SINGLE DIP
Thermal Protection :	AUTO	UL Recognized	
		Protection :	Y
Aux. Cooling :	N/R	Temp Code :	N/R
Class I Groups :	N/R	Class II Groups :	N/R
PE Bearing :	BALL	OPE Bearing :	BALL
PE Brg Size :	17MM	OPE Brg Size :	17MM
PE Brg Style :	DOUBLE SHIELD	OPE Brg Style :	DOUBLE SHIELD
PE Brg Part # :	113A617AA001	OPE Brg Part # :	113A617AA001
Bearing Grease :	STD	Water Slinger :	N
Drip Cover :	N	Drains :	N
Conduit Box Size :	N/R	Conduit Box Gasket :	N
Rotation :	ECCW	Vibration :	.0015
Color :	N/R	Finish :	N/R

Diagrams and Dimensions :

Outline Drawing :	52A109312P5	C-Dimension :	9.15
GEM Print :		Weight (lb) :	19
PE Shaft Ext'n :	.61 DIA WITH GROOVE	OPE Shaft Ext'n :	N/R
Connection			
Diagram :	52A105383AA		

Notes :

FINISH ON SHELL ONLY - SHAFT GROOVE .53 DEEP X .195 WIDE - DRAIN HOLES IN PULLEY END HUB AT 6 & 9:00
GROUND LEAD FROM BASE TO C'BOLT AT 4:30

This document is the property of the General Electric Company Containing proprietary and confidential information of GE Industrial Motors And Control Systems

Date of last revision : 08-APR-97

Winding and Test Specification

WTS # 52X332391P1

Comments : CHANGED RESIST PER RM340-088

Engineering Data				WTS Nameplate Data			
Frame	30			Horsepower	3/4	RPM	1725
Motor Type	KH			Voltage	115/230	Amps	10.4/5.2
Air Gap	0			Frequency	60	Phases	1
Stack	2.44 (P)			Run Capacitor		Cap Volts	
Wdg. Diag.	52B209505P1	Skew	12°	Start Capacitor		Cap Volts	
						LR Code	L
Spl. Insul.	No	Max Space Factor	48.6	Service Factor 1	1	Amps	
				Service Factor 2		Amps	
				Service Factor 3		Amps	

Winding	Winding Characteristics							Resistance			Tap Between	LR Curr Density
	Poles	N1e	Strands	Size	Wire Spec	Shift	Turns	Weight	Min	Max		
Main	4	45.27	1	0.0359	B22M47L1		(14 18 21)	0.76	1.50	1.65		
X Main	4	45.27	1	0.0359	B22M47L1	0	(14 18 21)	0.76	1.50	1.65		
Y Main												
Z Main												
W Main												
Start	4	55.17	1	0.0260	B22M47L1	90	(13 19 23 25)(13 19 23)	0.53	3.25	3.60		

	Noload Performance Data					Locked Rotor				
	Amps		Watts		RPM	Amps		Watts	Torque	Cap. Volts
	Nominal	Max	Nominal	Max	Nominal	Nominal	Max	Nominal	Min	Nominal
High	6.41	7.70	126	154	1795	62.80	69.10	5759	5183	26.9
Med. High										
Medium										
Med. Low										
Low										

	Max. Torque			Full Load Performance						
	RPM	Torque		Amps		Watts		Speed	Torque	Efficiency
		Min	Nominal	Nominal	Max	Nominal	Max	Nominal	Nominal	Nominal
High	1463	70.7	78.6	10.0	11.0	807	888	1730	36.5	69.5
Med. High										
Medium										
Med. Low										
Low										

	Customer/Special Load Points						Test Volts: 115 Test Frequency: 60 Low Speed Start Volts: 0
	Torque	Speed	Watts		Amps		
	Nominal	Nominal	Nominal	Max	Nominal	Max	
High	36.6	1731	806	889			
Med. High							
Medium							
Med. Low							
Low							

Line Resistance			
Volts	Min	Nominal	Max
115	0.75	0.79	0.83
230	2.99	3.15	3.31

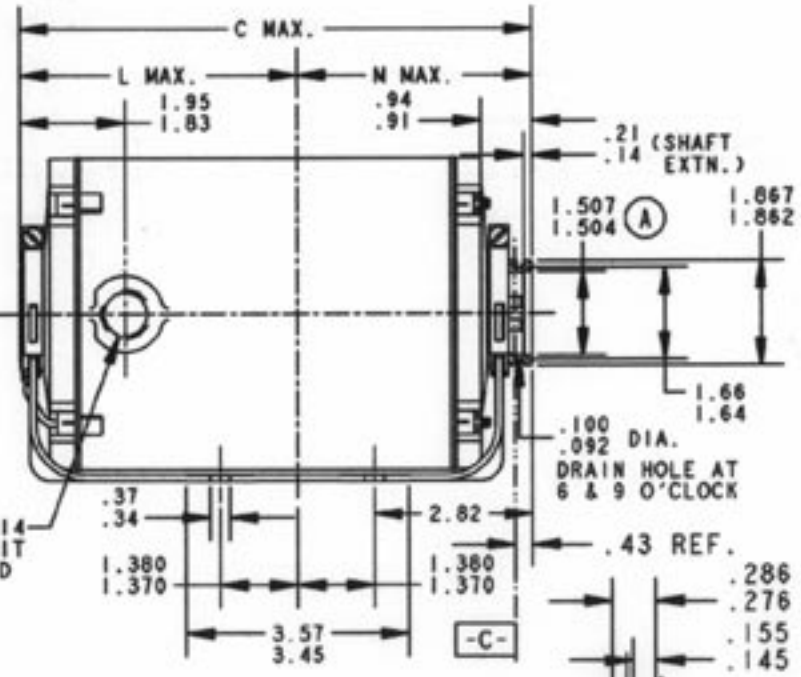
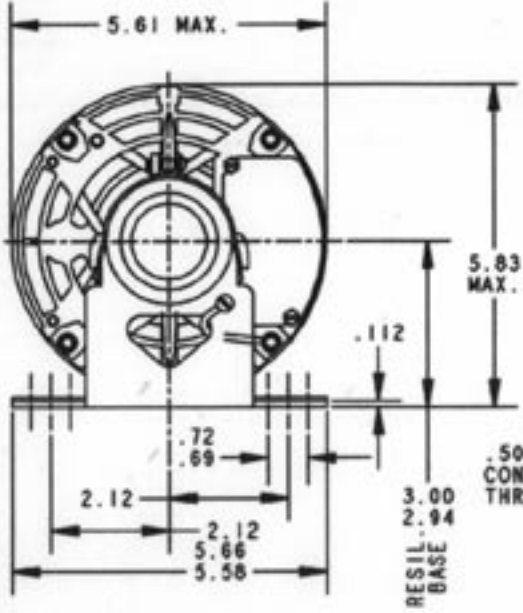
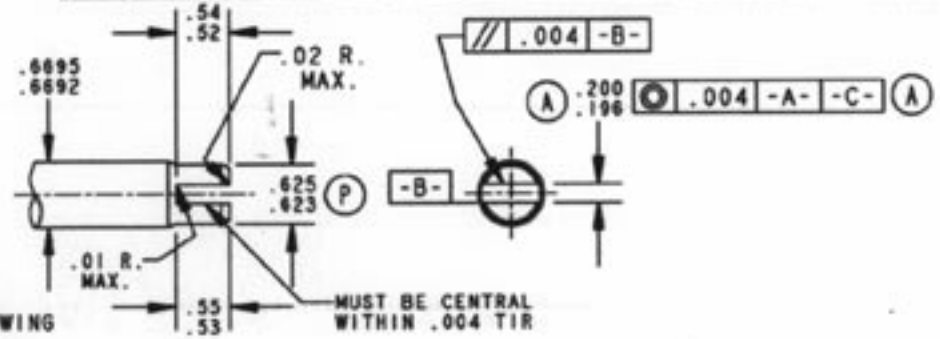
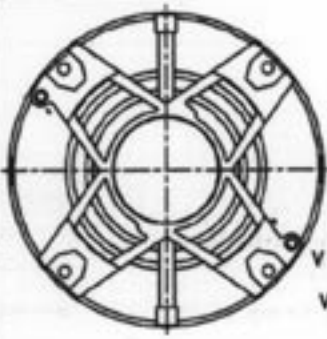
GE Industrial Systems Confidential Information



SIZE DWG NO 52A109312
 REV 1
 REV 4

CONTROL SURFACES & DIMENSIONS
 (P) PROC.
 (E) ENG.
 (A) APPL.
 (R) REG.

REVISIONS			
REV	DESCRIPTION	DATE	APPROVED
2	REM. EXT. CLP. SCRS. T195-21734.	02/14/96	M.D. PAPE
3	CHANGES PER T100-25,076B.	09/14/00	M.D. PAPE
4	ADDED P6	03/11/03	MOHANLAL



6	KH	38	48Y	9.75	5.60	4.28
5	KH	37	48Y	9.15	5.01	4.28
4	KH	36	48Y	8.75	4.61	4.28
3	KH	35	48Y	8.32	4.18	4.28
2	KH	33	48Y	7.94	3.80	4.28
1	KH	32	48Y	7.69	3.55	4.28
P	TYPE	GE SIZE	NERA FR	C	L	M

UNLESS OTHERWISE SPECIFIED	SIGNATURES	DATE
DIMENSIONS ARE IN INCHES	DRAWN WA MARKS	08/18/93
TOLERANCES UNLESS OTHERWISE SPECIFIED:	CHECKED	
2 PL DECIMALS ±	ENGRD	
3 PL DECIMALS ±	ISSUED M.A.M.	08/18/93
ANGLES ±		
FRACTIONS ±		
MATERIAL:		
APPLIED PRACTICES:	CAD NO. OL030:52A109312	SIZE A FSCM NO 0125
	FMF: 5KH36MN445X	DWG NO 52A109312
		SCALE .3125 SHEET 1 OF 1

GE Motors
 Fort Wayne, Indiana

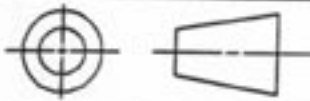
TITLE
OUTLINE
 CARBONATOR PUMP - DRIP PROOF -
 RESIL. BASE - BALL BRG.

DISTR TO J10, J11





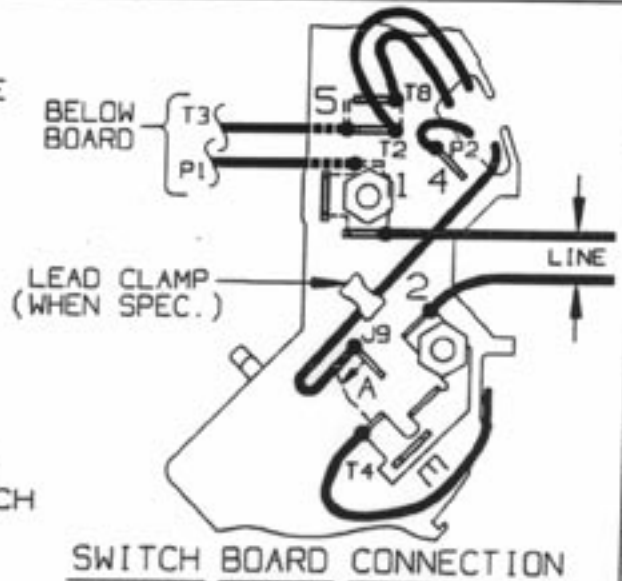
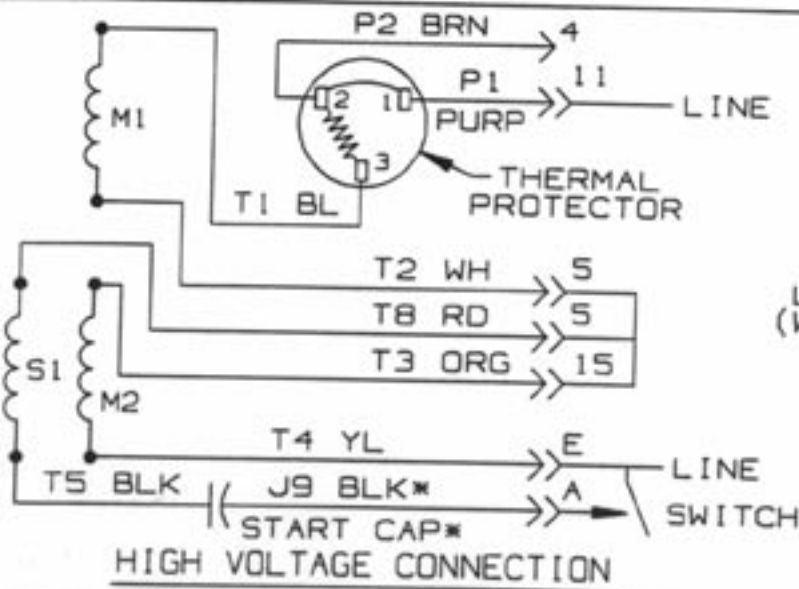
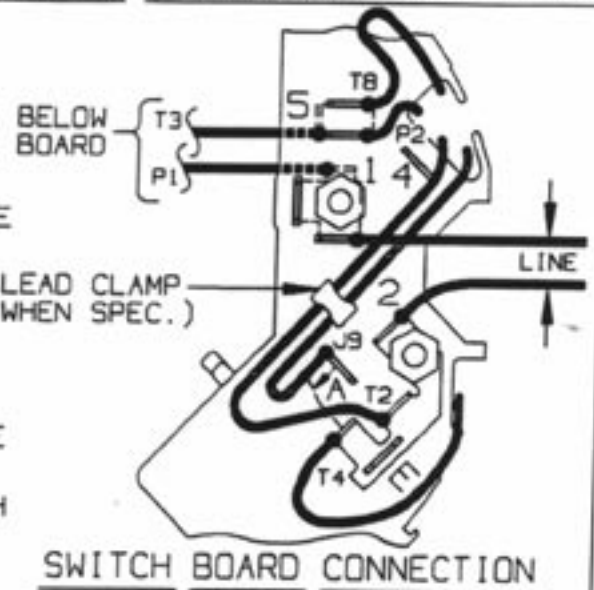
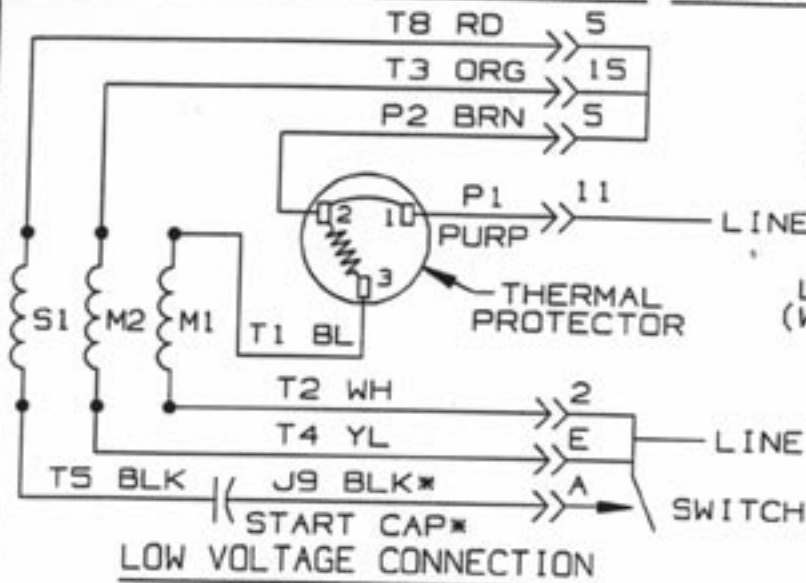
THIRD ANGLE PROJECTION



REVISIONS

REV	DESCRIPTION	DATE	APPROVED
2	RETRACED, UPDATED T196-22394	03/26/96	M.D. PAPE

EITHER ROTATION, DUAL VOLTAGE, TYPE KC OR KH, WITH THERMAL PROTECTION



NOTE #1 - START CAP & J9 WHEN SPECIFIED (*). IF NO CAPACITOR (KH), CONNECT T5 DIRECTLY TO SWITCH (A). WHEN MORE THAN ONE CAPACITOR IS USED, CONNECT IN PARALLEL.

NOTE #2 - TO REVERSE ROTATION, INTERCHANGE RD(T8) AND BLK(J9-KC OR T5-KH) LEADS.

SWITCH REF. - 115D958AB

CONNECTION LABEL - 52X332051

UNLESS OTHERWISE SPECIFIED	SIGNATURES	DATE
DIMENSIONS ARE IN INCHES	DRAWN M.D. PAPE	06/29/87
TOLERANCES ON:	CHECKED	
2 PL DECIMALS ±	ENGRG	
3 PL DECIMALS ±	REISSUED M.D. PAPE	03/26/96
ANGLES ±		
FRACTIONS ±		

GE Motors & Industrial Systems Fort Wayne, Indiana

TITLE CONNECTION DIAGRAM

FMF: 30 FRAME SWITCH REDESIGN

MATERIAL:	CAD NO. F30:52A105383AA_2	SIZE A	FSCN NO 9226	DMG NO 52A105383AA
APPLIED PRACTICES:	FILE D-57	SCALE 1:1	SHEET 1 OF 1	

DISTR TO G7.B102.F114(3).F107(M).G1.J10.J11

