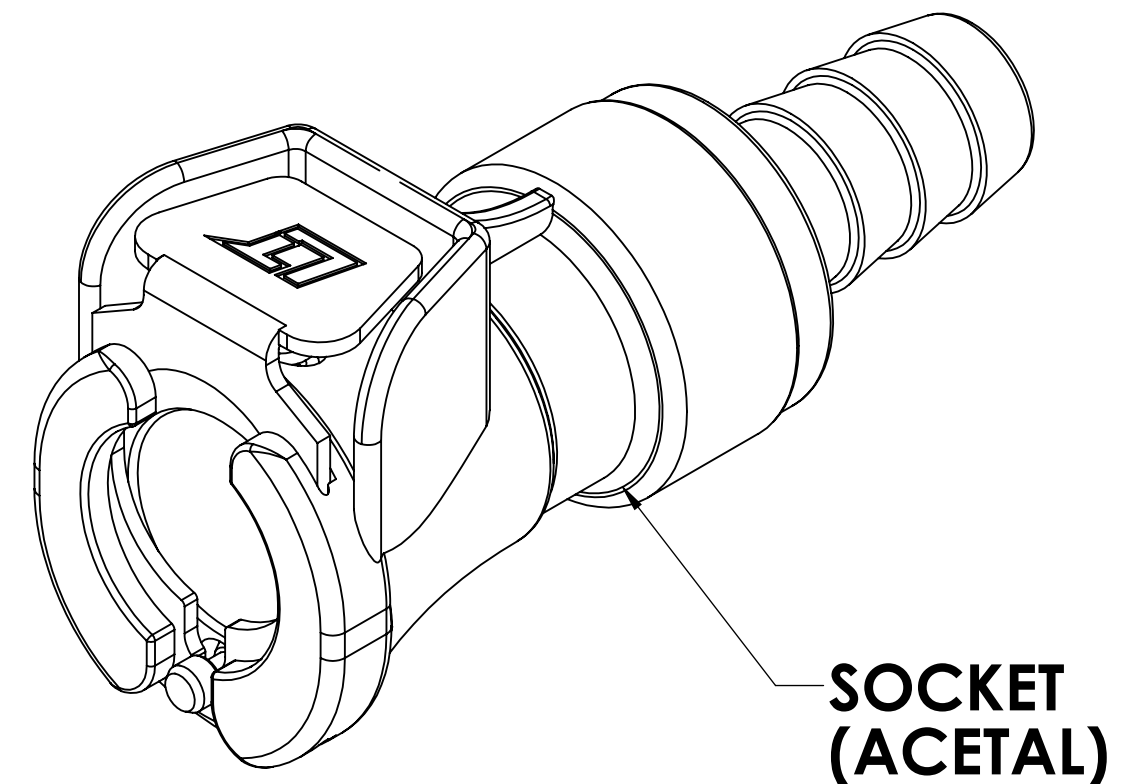
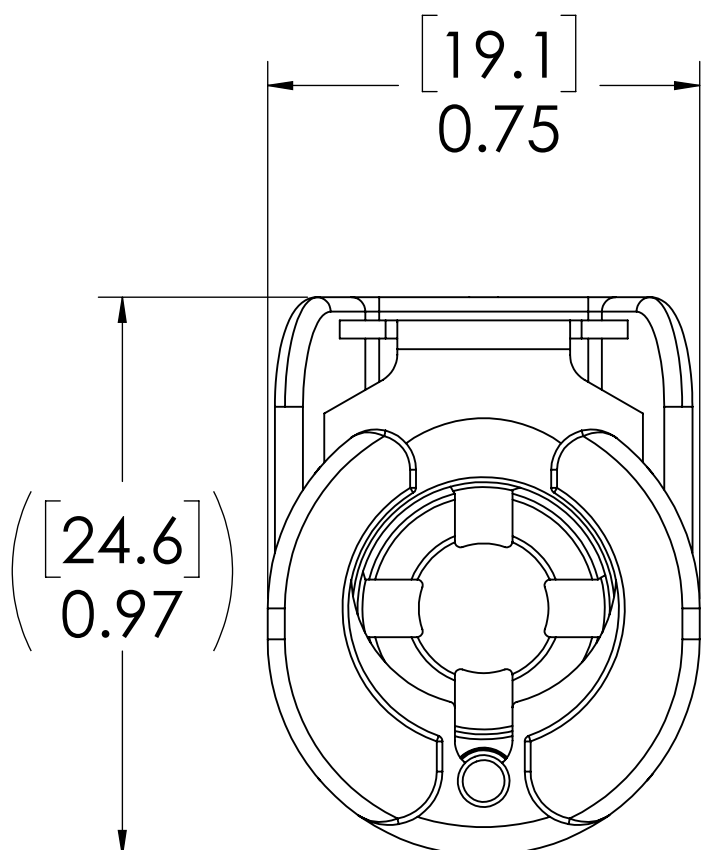


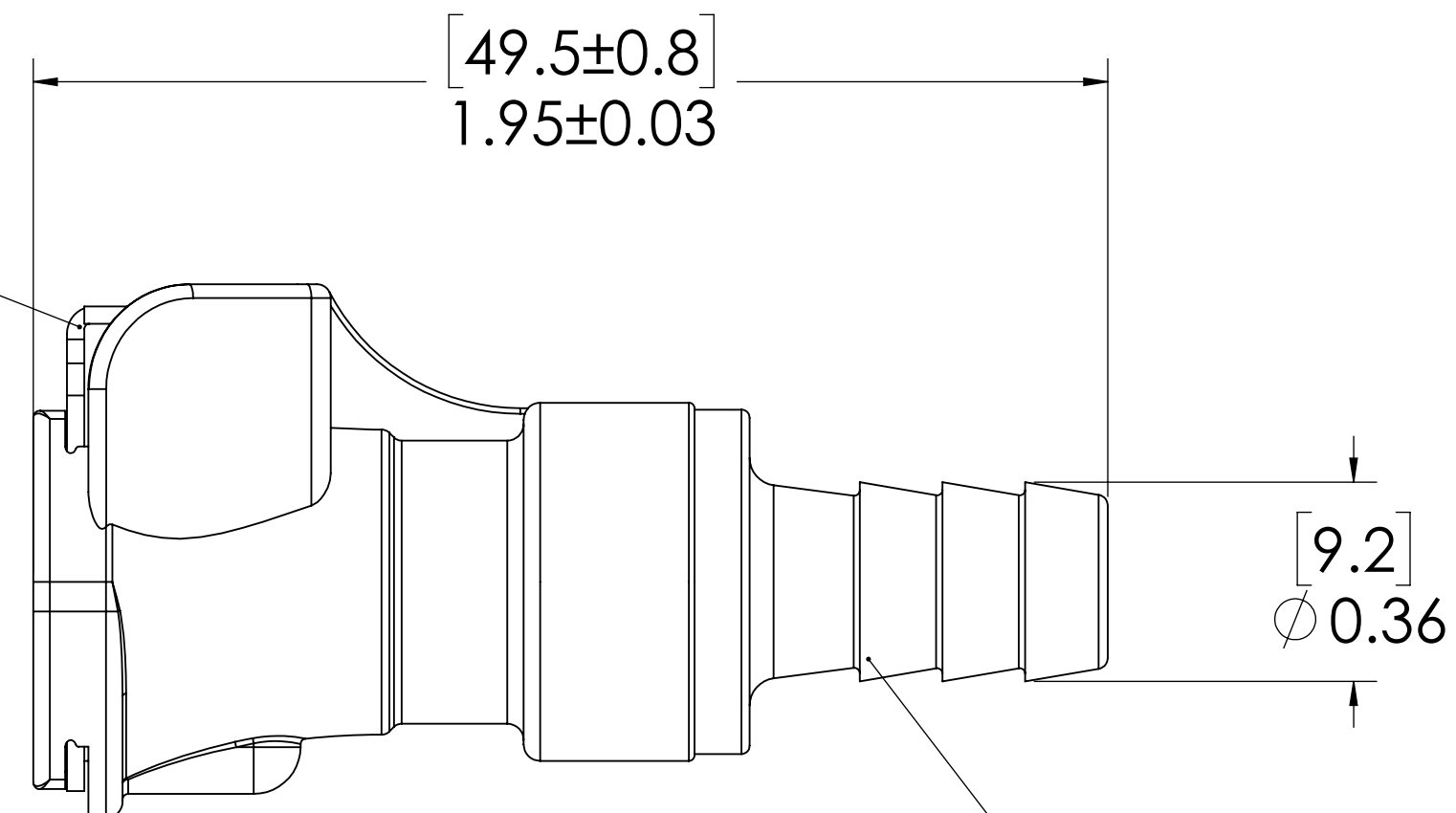
REVISIONS						
SHEET	ZONE	REV.	ECO	DESCRIPTION	DATE	APPROVED
1	ALL	A	50242	UPDATE DWG TO CURRENT FORMAT & STANDARDS	10/4/2018	HRC



**SOCKET
(ACETAL)**




**LATCH HARDWARE
(STAINLESS STEEL)**



5/16" TUBE ID

- NOTES:**
- MATERIAL: ACETAL
 - COLOR: NATURAL WHITE

FOR REFERENCE ONLY

<small>UNLESS OTHERWISE SPECIFIED: DIMENSIONS ARE IN INCHES TOLERANCES: FRACTIONAL ± 1/32 ANGULAR, MACH ± 0.5 BEND ± 2 ONE PLACE DECIMAL ± 0.1 TWO PLACE DECIMAL ± 0.01 THREE PLACE DECIMAL ± 0.005 TWO PLACE DUAL (mm) [±0.12]</small>	DRAWN	LDM	12/14/17	 PART NO: 40AC-S2-05	
	CHECKED	HRC	12/14/17		
	ENG APPR.	HRC	10/4/18	DESCRIPTION: LinkTech 40AC Series Straight Female, Non-valved, 5/16" HB, Natural Acetal	
	MFG APPR.	BDB	10/4/18		
PRODUCTION	LS	10/4/18	<small>PROPRIETARY AND CONFIDENTIAL</small> <small>THE INFORMATION CONTAINED IN THIS DRAWING IS THE SOLE PROPERTY OF LINKTECH LLC. ANY REPRODUCTION OR DISCLOSURE IN PART OR AS A WHOLE WITHOUT THE WRITTEN PERMISSION OF LINKTECH LLC IS STRICTLY PROHIBITED.</small>	SIZE DWG. NO. REV C 40AC400233 A	
COMMENTS:			SCALE: NTS	WEIGHT:	SHEET 1 OF 1