

# MBV

## Watts Marine Full Flow Ball Valves

UL Marine approved and produced from 85-5-5-5 Naval Bronze. Full flow design assures no restriction of flow. These valves feature a heavy duty stainless steel handle and hardware for the best corrosion resistance. All valves are pressure rated to 600 psi and incorporate PTFE stem packing seals, seats, and are 100% tested in both the open and closed position.



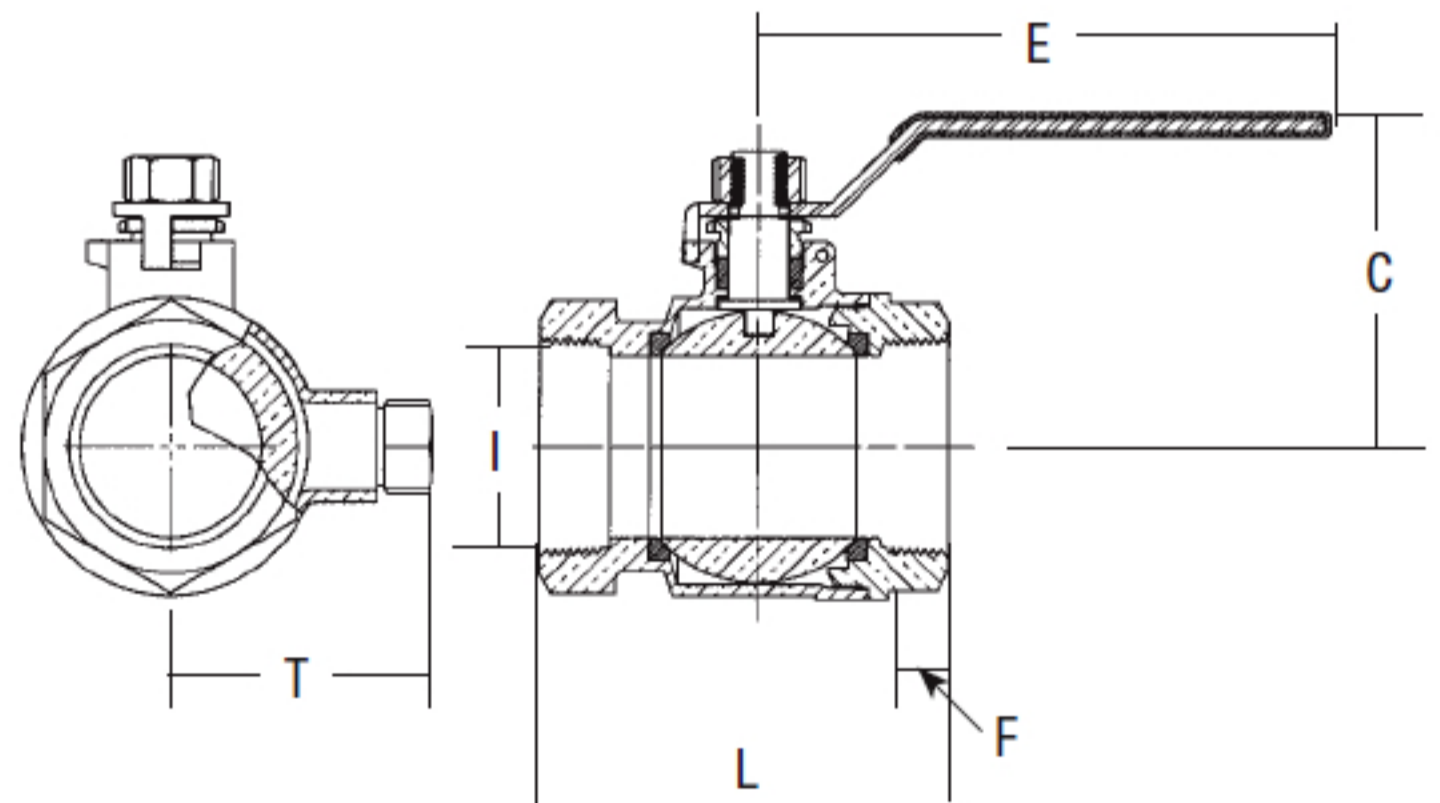
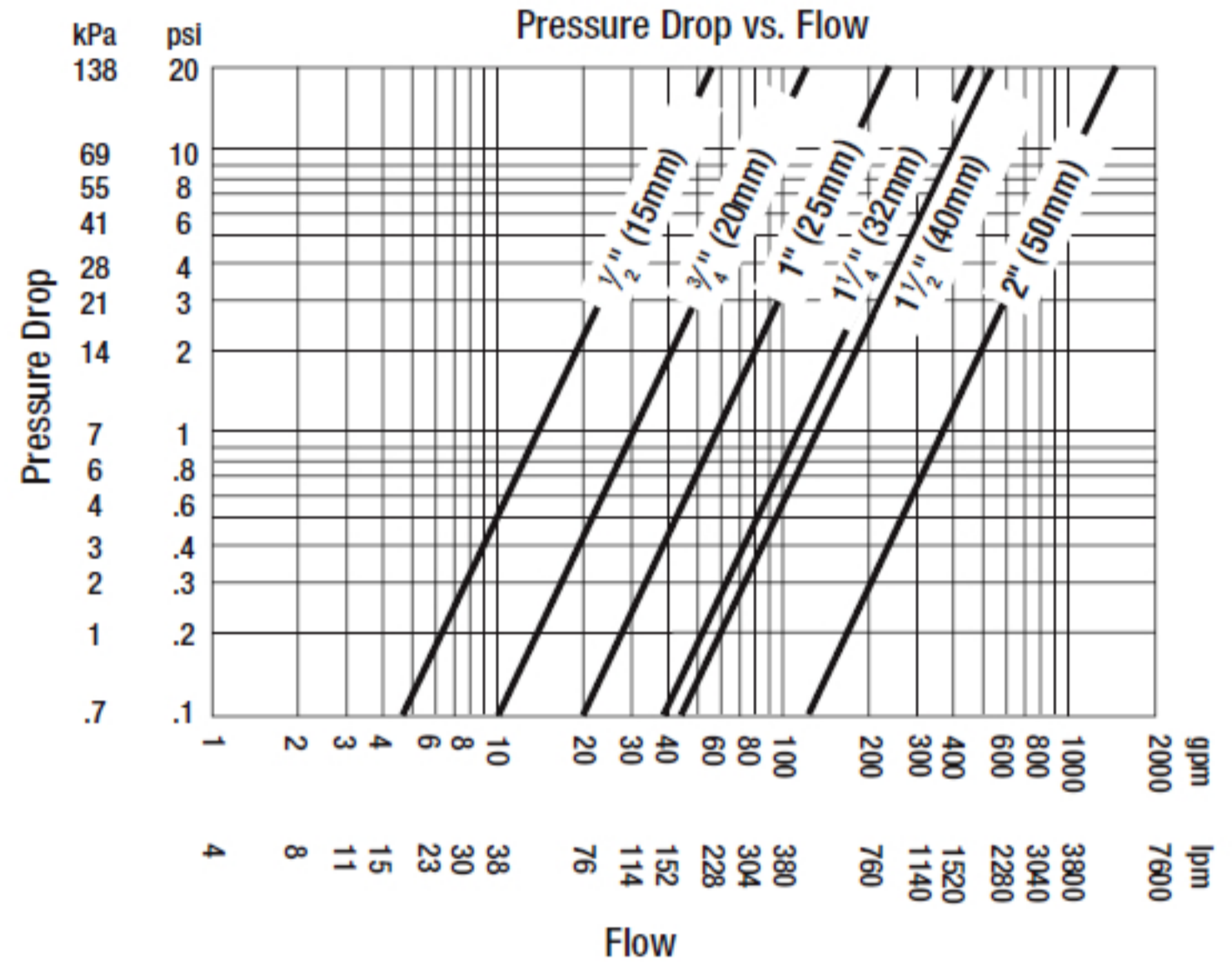
### Features:

- Underwriters Laboratories Listed
- 85-5-5-5 Naval Bronze Body
- Stainless Steel handle and nut
- Full Size Ports
- Drain plug for winterization
- Grounding Screw
- PTFE stem packing seal and seats
- Vinyl insulator on handles
- Blow out proof pressure retaining stem
- Fast quarter-turn (open or close) operation
- Low operating torque
- Adjustable stem packing gland
- Available in sizes 1/2" - 2" (20-50mm)
- No lubrication required
- Small space savings design

Part No.	Model	Size	Qty. Per Carton	Wt. Per Carton (lbs.)
0723300	MBV	1/2"	64	32
0723301	MBV	3/4"	40	30
0723302	MBV	1"	24	64
0723303	MBV	1 1/4"	16	30
0723304	MBV	1 1/2"	8	26
0723305	MBV	2"	8	44

Note: To Order Items Individually Tagged With a Barcode, Indicate this with a "02" In Front of the Part Number.

### Pressure Drop vs. Flow



### Dimensions - Weights approximate

Order		Size (DN)		C		E		F		I		L		P		T		Weight	
Part No.	Model	in	mm	in	mm	in	mm	in	mm	in	mm	in	mm	in	mm	in	mm	lbs.	kg.
0723300	MBV	1/2	15	1 7/8	48	3 13/16	97	9/16	14	9/16	14	2 1/8	55	-	-	15/16	25	.5	.23
0723301	MBV	3/4	20	2	51	3 13/16	97	9/16	14	3/4	19	2 3/8	60	-	-	1 1/16	27	.8	.36
0723302	MBV	1	25	2 1/4	56	4 5/8	117	11/16	17	15/16	25	2 15/16	74	-	-	1 1/4	32	1.5	.68
0723303	MBV	1 1/4	32	2 3/8	61	4 5/8	117	3/4	19	1 1/4	31	3 3/16	82	-	-	1 7/16	37	2.3	1.04
0723304	MBV	1 1/2	40	3 1/8	80	6 5/16	160	3/4	19	1 1/2	38	3 5/8	91	-	-	1 5/8	41	3.3	1.50
0723305	MBV	2	50	3 11/16	93	6 5/16	160	13/16	20	2	50	4 3/16	107	-	-	2	50	5.2	2.36