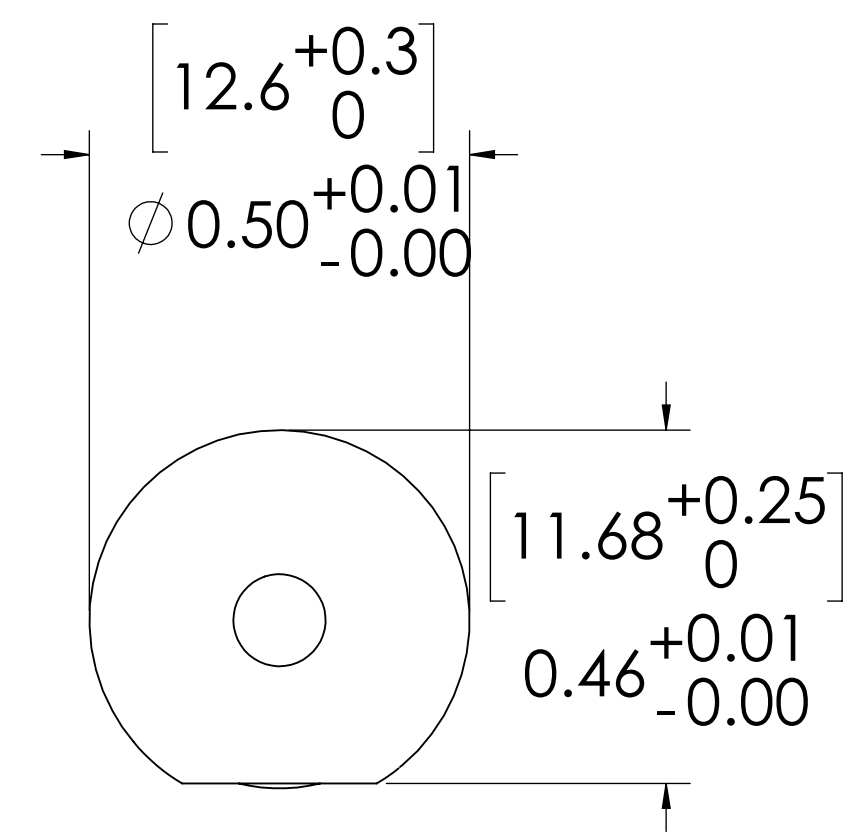
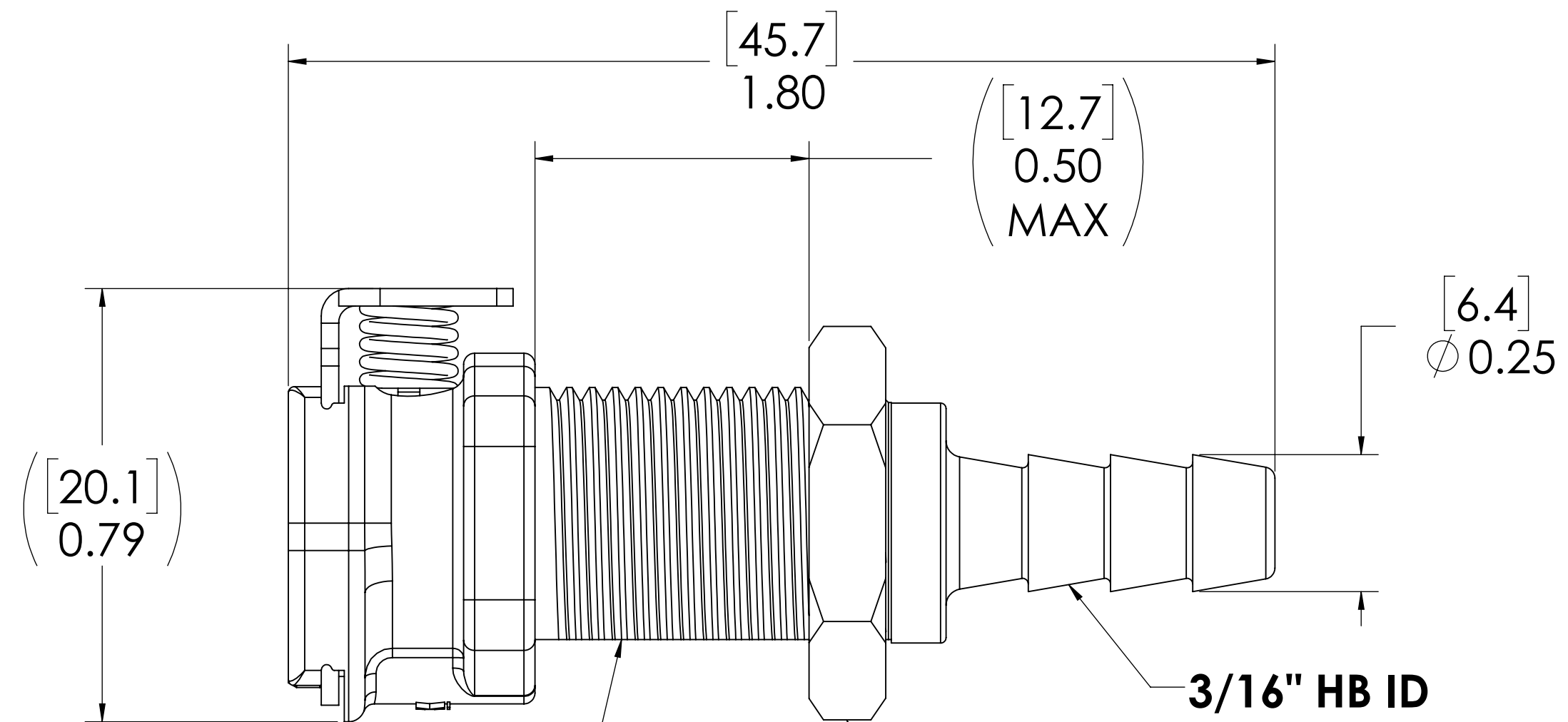
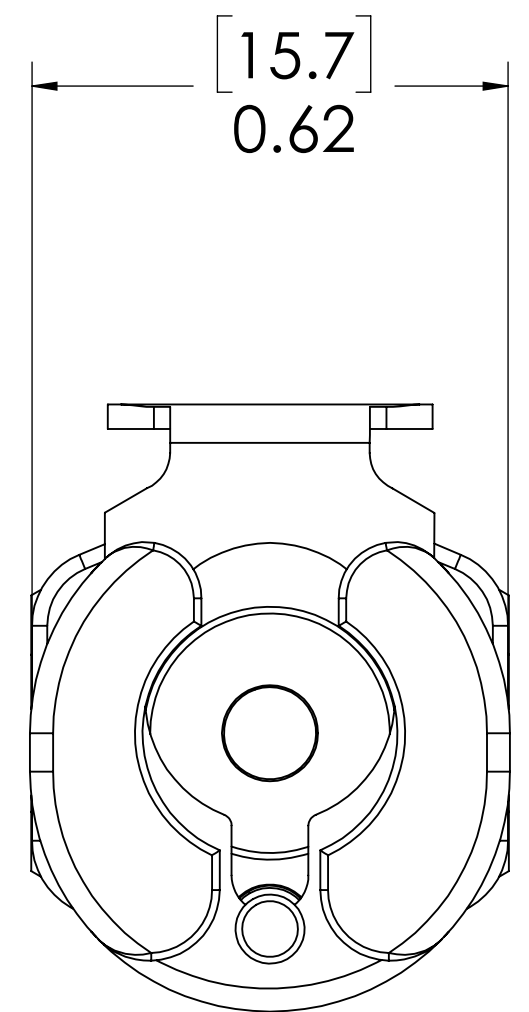
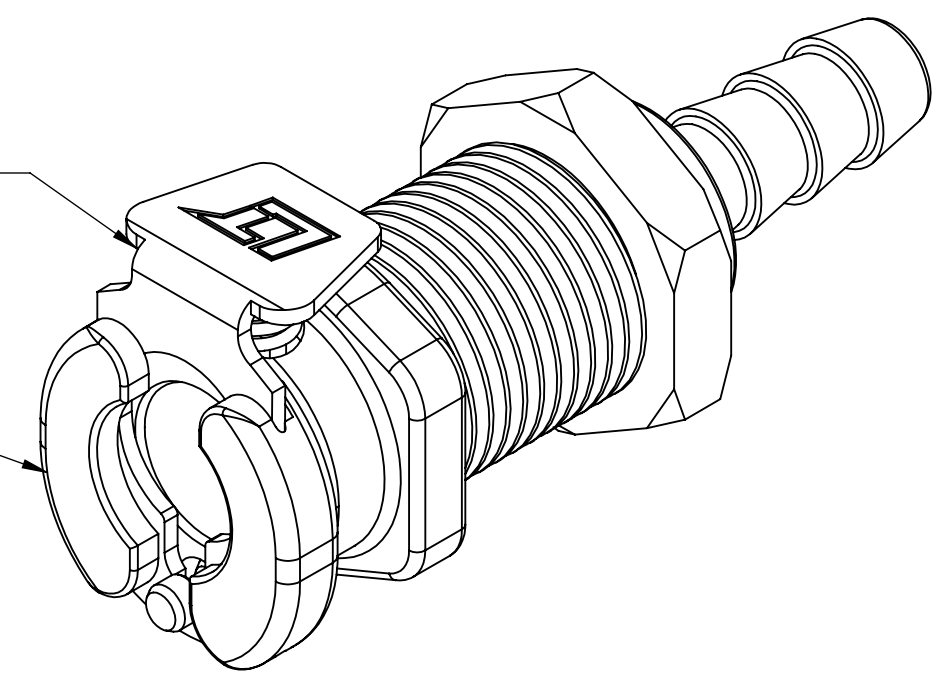


REVISIONS						
SHEET	ZONE	REV.	ECO	DESCRIPTION	DATE	APPROVED
1	ALL	A	50242	IN, PIN SPRING & FORMAT UPDATE	10/25/2017	HRC

**LATCH  
HARDWARE  
(STAINLESS STEEL)**

**SOCKET,  
(ACETAL)**



**1/2-24 UNS THREAD**

**PANEL NUT,  
BRASS, NICKEL PLATED  
(5/8 HEX)  
PACKAGED SEPARATELY**

**3/16" HB ID**

**PANEL OPENING**

**FOR REFERENCE ONLY**

- NOTES:**
- MATERIAL: ACETAL
  - COLOR: NATURAL WHITE

<small>UNLESS OTHERWISE SPECIFIED: DIMENSIONS ARE IN INCHES TOLERANCES: FRACTIONAL ±1/32 ANGULAR: MACH ±0.5 BEND ±2 ONE PLACE DECIMAL ±0.1 TWO PLACE DECIMAL ±0.01 THREE PLACE DECIMAL ±0.005 TWO PLACE DUAL (mm) [±0.12]</small>	DRAWN	RDA	8/16/2017	
	CHECKED	HRC	8/16/2017	
	ENG APPR.	HRC	10-25-17	
	MFG APPR.	BDB	10-25-17	
<small>PROPRIETARY AND CONFIDENTIAL</small>	Q.A.	JJB	10-25-17	PART NO: 20AC-S3-03 DESCRIPTION: LinkTech 20AC Series Panel Mt. Female, Non-valved, 316 HB Natural Acetal
<small>THE INFORMATION CONTAINED IN THIS DRAWING IS THE SOLE PROPERTY OF LINKTECH LLC. ANY REPRODUCTION OR DISCLOSURE IN PART OR AS A WHOLE WITHOUT THE WRITTEN PERMISSION OF LINKTECH LLC IS STRICTLY PROHIBITED.</small>	COMMENTS:			SIZE DWG. NO. REV <b>C</b> 20AC200318 <b>A</b>
	SCALE: NTS	WEIGHT:		SHEET 1 OF 1