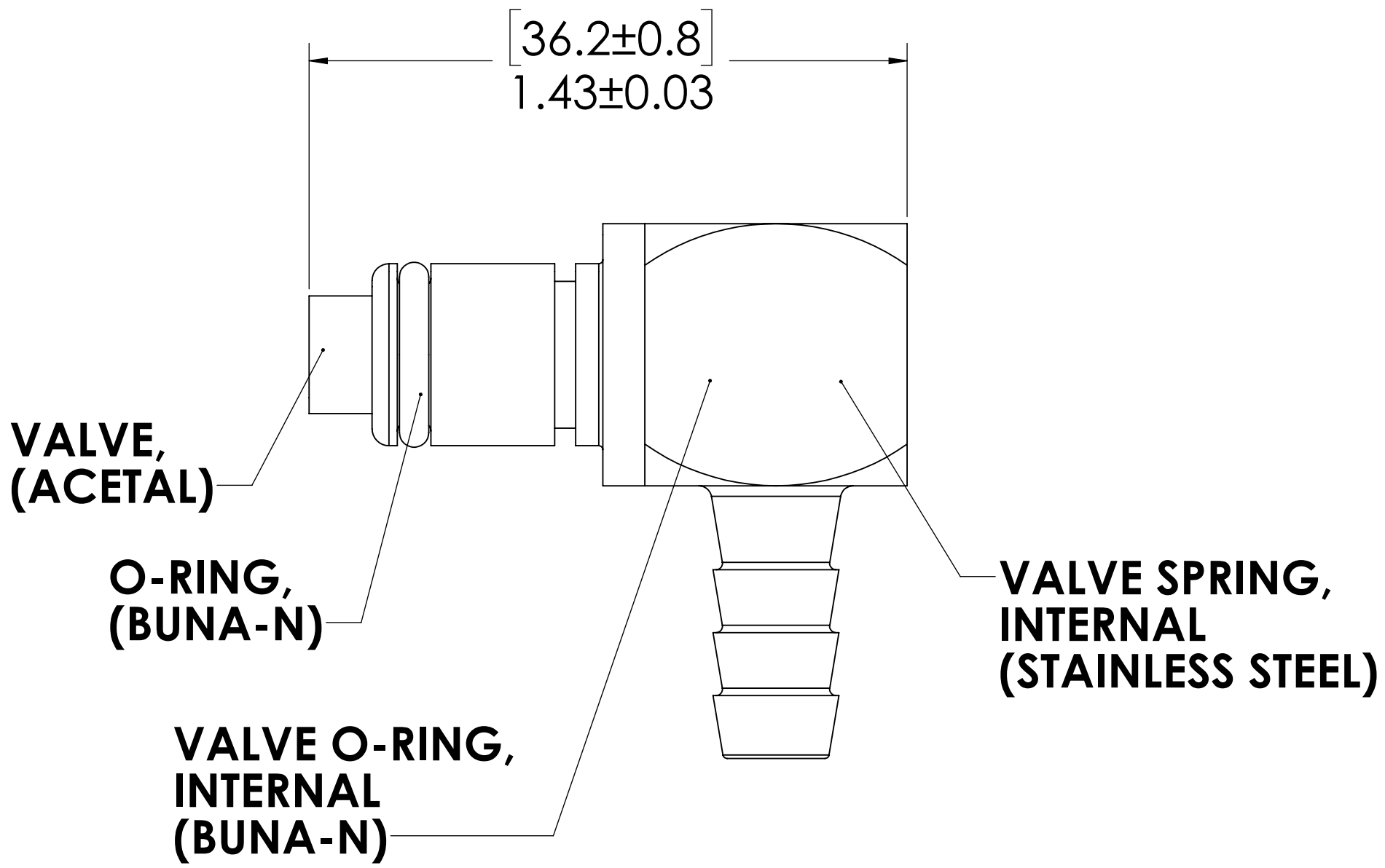
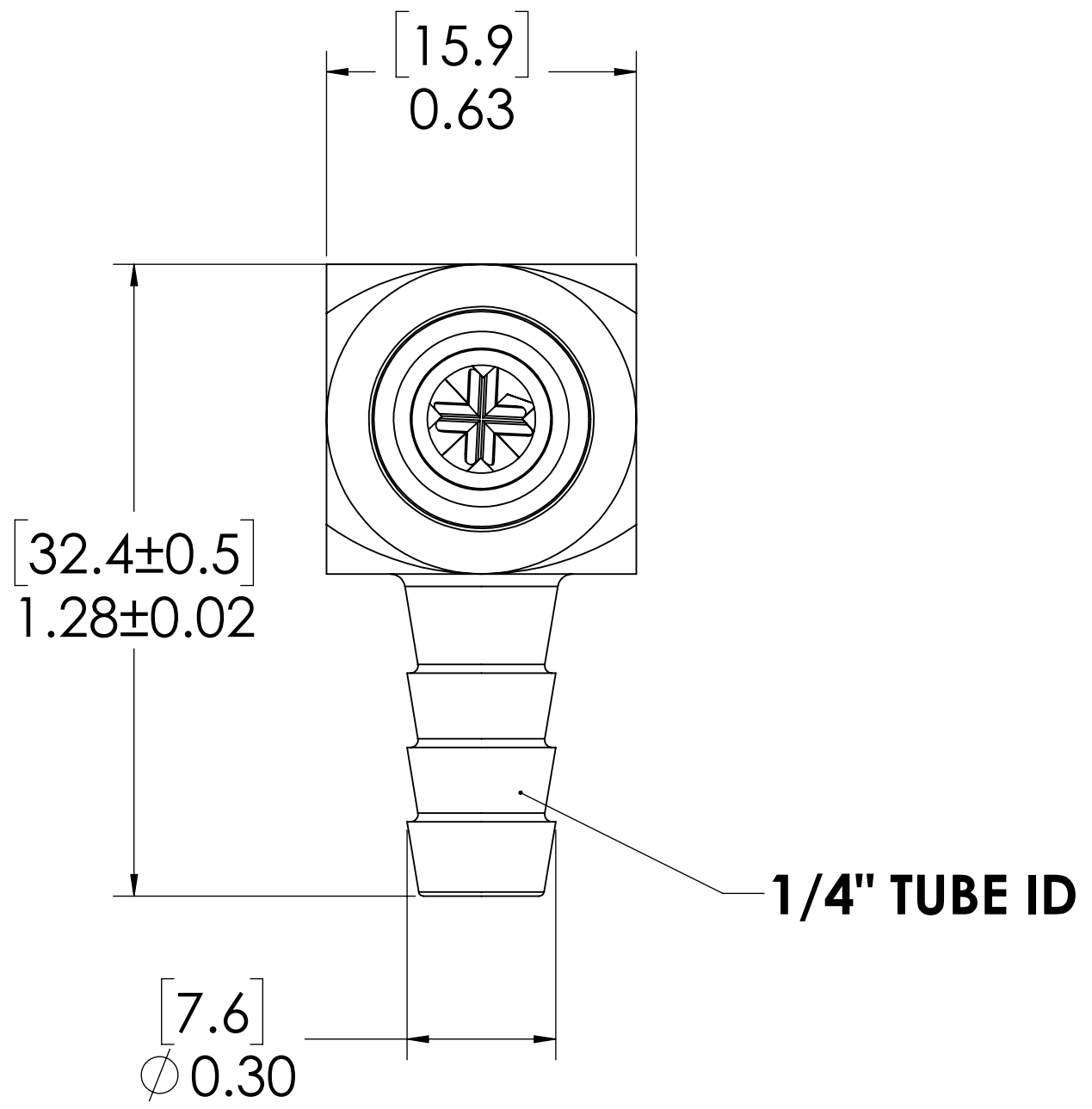
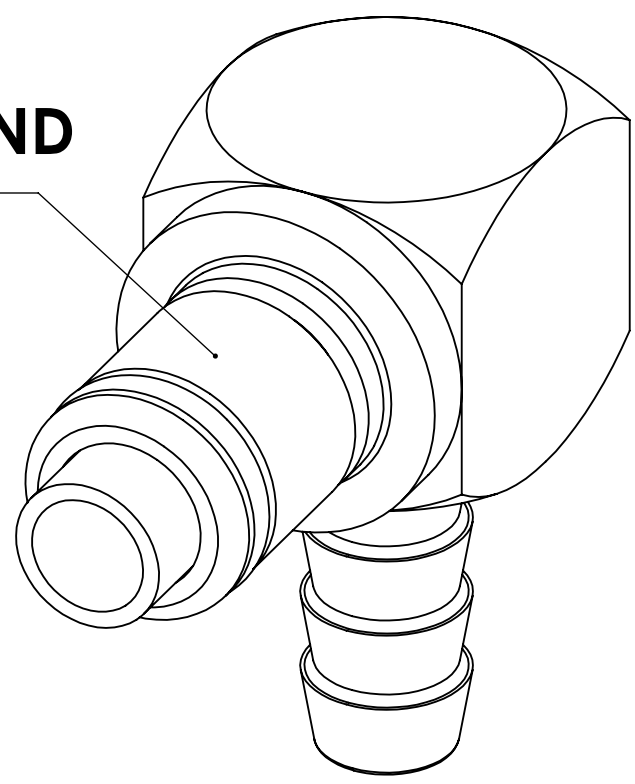


REVISIONS						
SHEET	ZONE	REV.	ECO	DESCRIPTION	DATE	APPROVED
1	ALL	A	50253	UPDATE DWG TO CURRENT FORMAT & STANDARDS	7/9/2018	HRC

**PLUG,
(BRASS, NICKEL AND
CHROME PLATED)**



- NOTES:**
1. MATERIAL: BRASS
 2. FINISH: CHROME
 3. O-RING MATERIAL: BUNA-N
 4. O-RINGS LUBRICATED WITH FOOD GRADE SILICONE OIL, 350 CST.

FOR REFERENCE ONLY

<small>UNLESS OTHERWISE SPECIFIED: DIMENSIONS ARE IN INCHES TOLERANCES: FRACTIONAL ± 1/32 ANGULAR: MACH ± 0.5 BEND ± 2 ONE PLACE DECIMAL ± 0.1 TWO PLACE DECIMAL ± 0.01 THREE PLACE DECIMAL ± 0.005 TWO PLACE DUAL (mm) [± 0.12]</small>	DRAWN	ER	08-08-17	
	CHECKED	HRC	08-08-17	
	ENG APPR.	HRC	7/9/18	
	MFG APPR.	HRC	7/9/18	
PRODUCTION	LS	7/9/18		PART NO: 40CBV-PB4-04 DESCRIPTION: LinkTech 40CB Series Elbow Male, Valved, 1/4" HB, Chrome Brass
<small>PROPRIETARY AND CONFIDENTIAL THE INFORMATION CONTAINED IN THIS DRAWING IS THE SOLE PROPERTY OF LINKTECH LLC. ANY REPRODUCTION OR DISCLOSURE IN PART OR AS A WHOLE WITHOUT THE WRITTEN PERMISSION OF LINKTECH LLC IS STRICTLY PROHIBITED.</small>	COMMENTS:			SIZE DWG. NO. REV C 40CB400217 A
	SCALE: NTS WEIGHT:			SHEET 1 OF 1