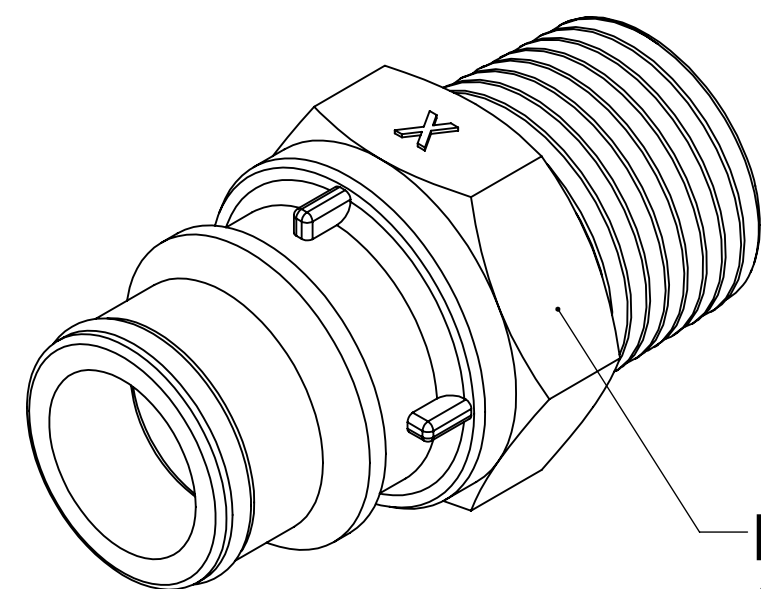
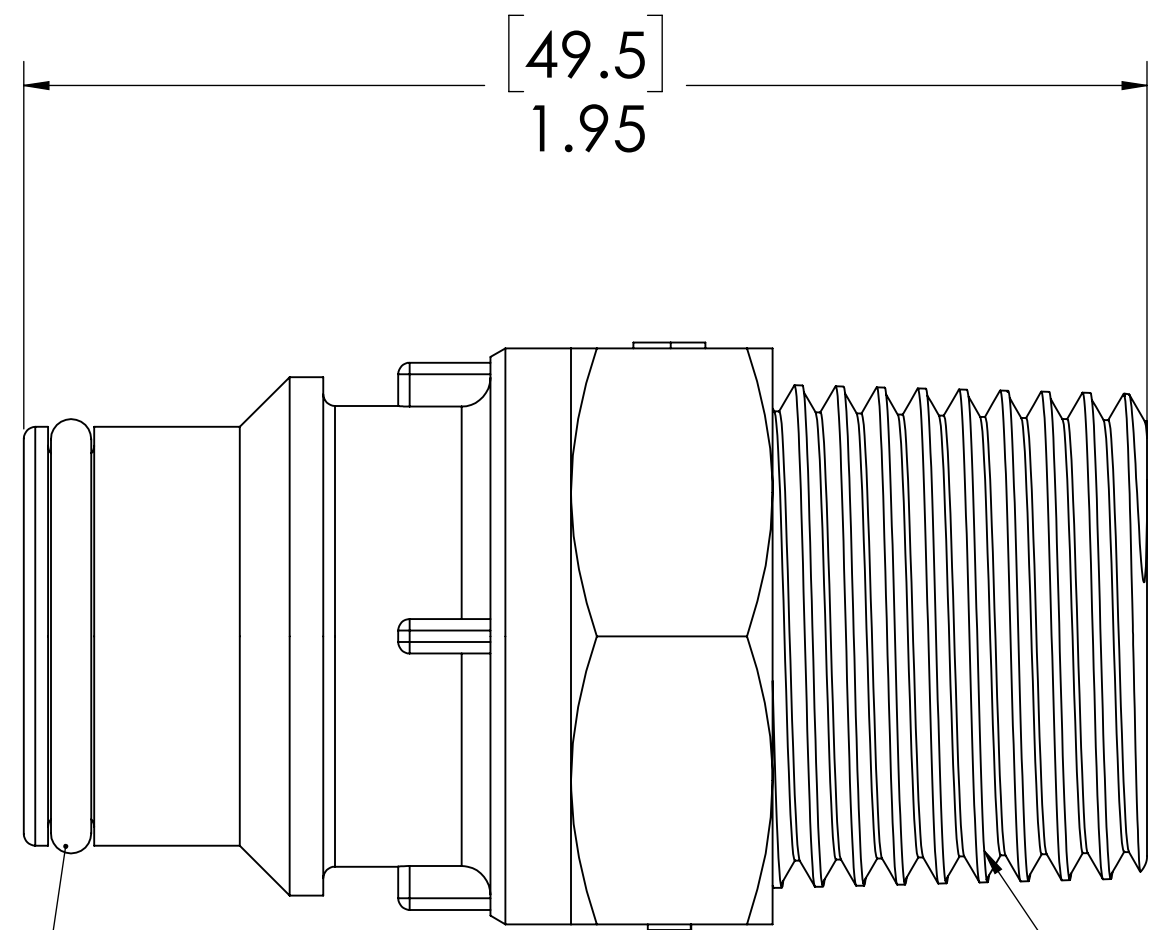
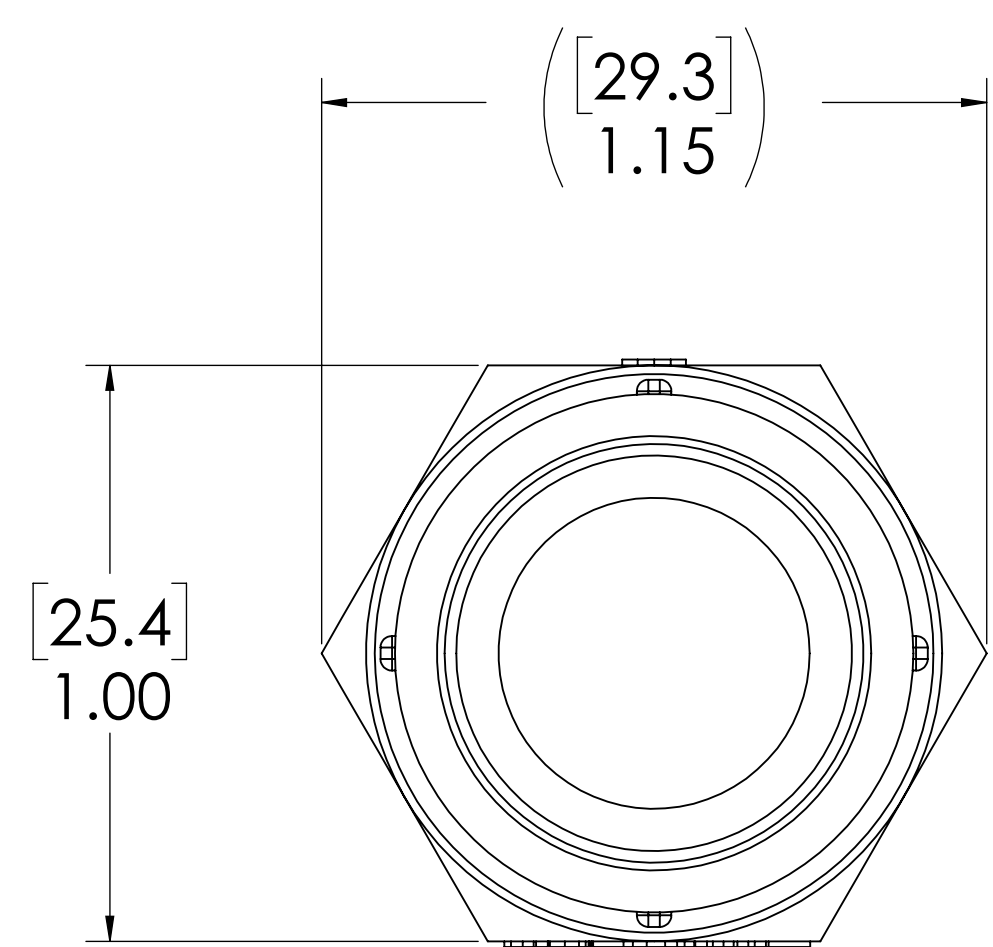


REVISIONS						
SHEET	ZONE	REV.	ECO	DESCRIPTION	DATE	APPROVED
1	ALL	A	50253	UPDATE DWGS TO CURRENT FORMAT & STANDARDS	6/4/2018	



**PLUG  
(GLASS-FILLED  
POLYPROPYLENE)**




**O-RING  
(EPDM, NSF61)**

**1/2" NPT THREAD**

- NOTES:**
- MATERIAL: GLASS-FILLED POLYPROPYLENE
  - COLOR: WHITE
  - O-RING MATERIAL: EPDM, NSF61
  - O-RINGS LUBRICATED WITH FOOD GRADE SILICONE OIL, 350 CST.

**FOR REFERENCE ONLY**

<small>UNLESS OTHERWISE SPECIFIED: DIMENSIONS ARE IN INCHES TOLERANCES: FRACTIONAL ± 1/32 ANGULAR, MACH ± 0.5 BEND ± 2 ONE PLACE DECIMAL ± 0.1 TWO PLACE DECIMAL ± 0.01 THREE PLACE DECIMAL ± 0.005 TWO PLACE DUAL (mm) [± 0.12]</small>	DRAWN	LMP	5/2/2018	 <b>PART NO: 65GP-PF1-08</b> <b>DESCRIPTION:</b> <b>LinkTech 65GP Series Male Thread Plug, Non-Valved, 1/2" NPT, Glass Filled Polypropylene</b>
	CHECKED	HRC	6/4/2018	
	ENG APPR.	HRC	6/4/2018	
	MFG APPR.	BDB	6/4/2018	
<small>PROPRIETARY AND CONFIDENTIAL THE INFORMATION CONTAINED IN THIS DRAWING IS THE SOLE PROPERTY OF LINKTECH LLC. ANY REPRODUCTION OR DISCLOSURE IN PART OR AS A WHOLE WITHOUT THE WRITTEN PERMISSION OF LINKTECH LLC IS STRICTLY PROHIBITED.</small>	Q.A.	JJB	6/4/2018	<small>SIZE DWG. NO. REV</small> <b>C 65GP600021 A</b>
<small>COMMENTS:</small>			<small>SCALE: NTS WEIGHT: SHEET 1 OF 1</small>	