



T&S BRASS AND BRONZE WORKS, INC.

2 Saddleback Cove / P.O. Box 1088
Travelers Rest, SC 29690



REG. #A2601
ISO #9001

Model No.
B-0665-CR-POL

Item No.

Travelers Rest, SC: 800-476-4103 Simi Valley, CA: 800-423-0150 Fax: 864-834-3518 www.tsbrass.com

This Space for Architect/Engineer Approval

Job Name _____ Date _____

Model Specified _____ Quantity _____

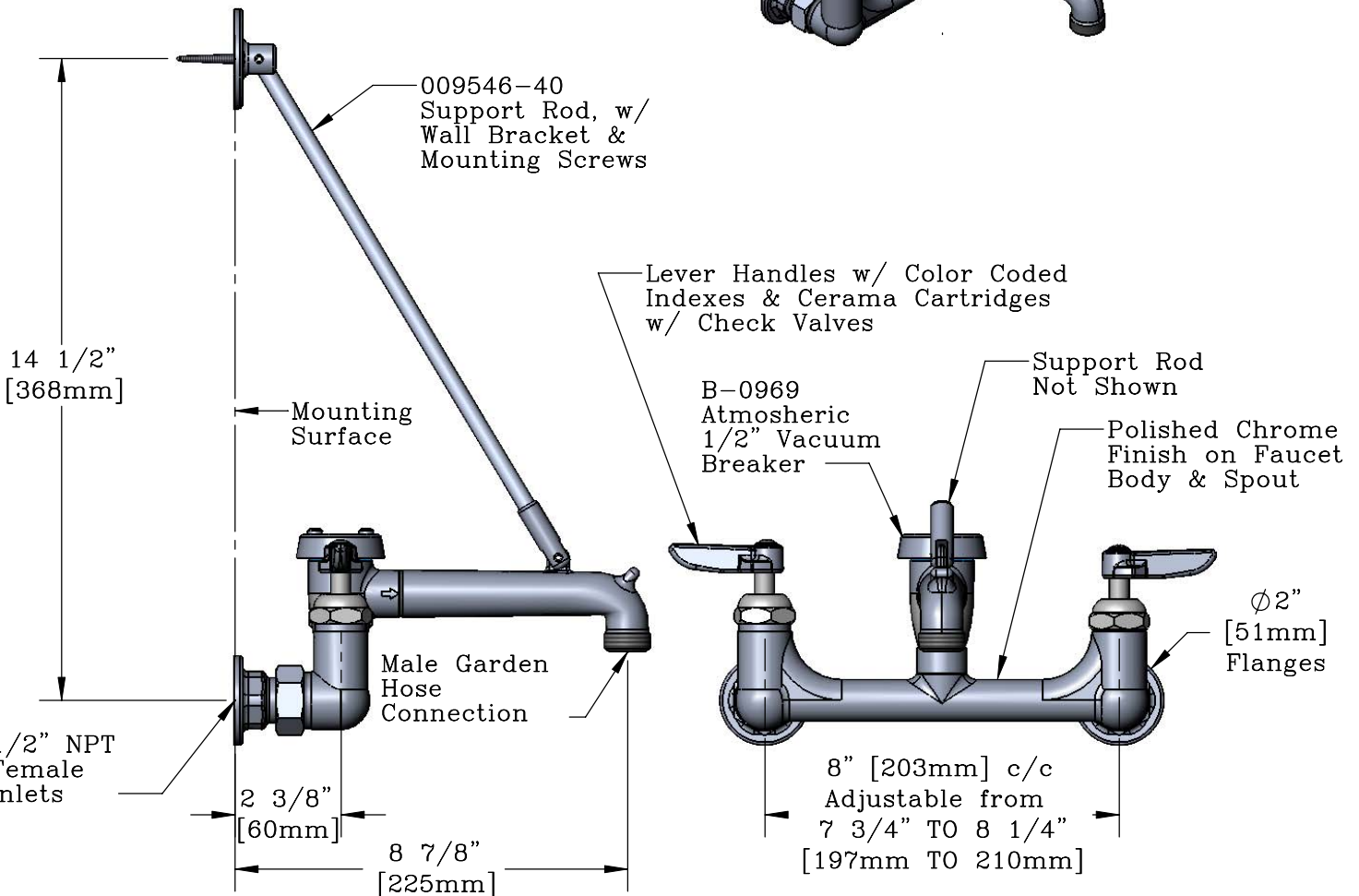
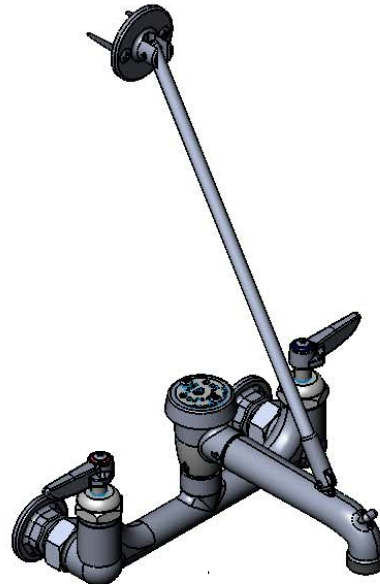
Customer/Wholesaler _____

Contractor _____

Architect/Engineer _____



ADA Compliant



Product Specifications:

Service Sink, Cerama Cartridges w/ Check Valves, Lever Handles & Polished Chrome

Drawn KJG	Checked DHL	Approved JHB
Scale: 1:4		Date: 08/05/08



T&S BRASS AND BRONZE WORKS, INC.

2 Saddleback Cove / P.O. Box 1088
Travelers Rest, SC 29690



REG. #A2601
ISO #9001

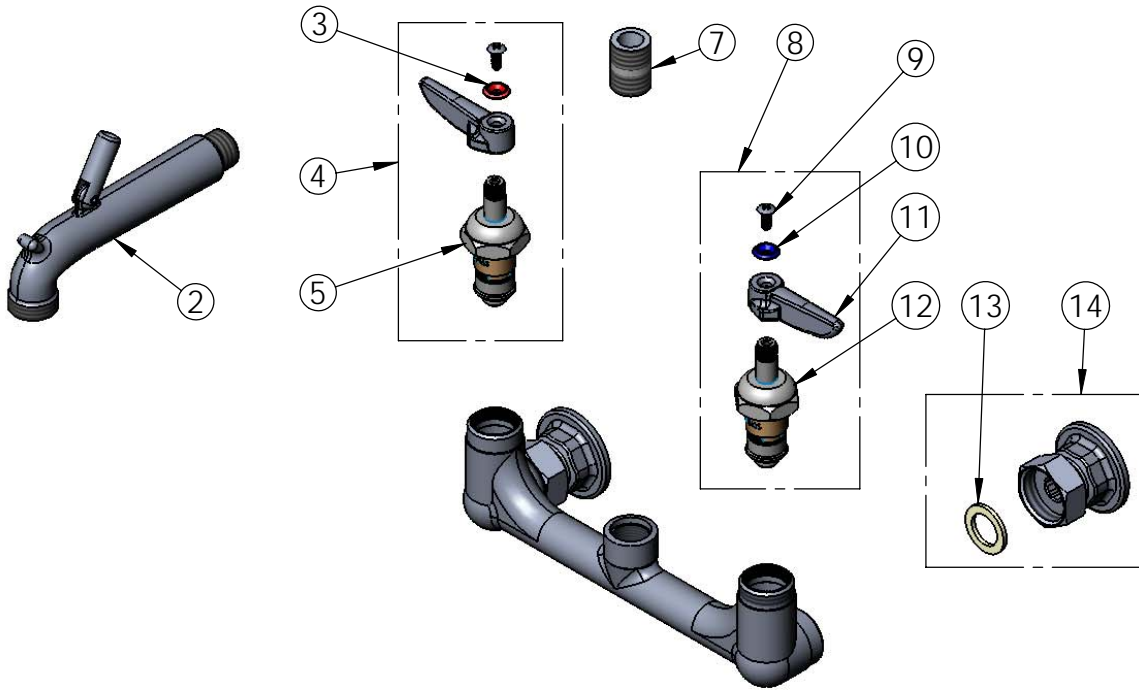
Model No.

B-0665-CR-POL

Item No.

Travelers Rest, SC: 800-476-4103 Simi Valley, CA: 800-423-0150 Fax: 864-834-3518 www.tsbrass.com

ITEM NO.	SALES NO.	DESCRIPTION
1	009546-40	Upper Support Rod Asm
2	009545-40	Spout Asm Polish Chrome w/ Top Support Clevis
3	001661-45	Red Index-HW
4	012446-25	Hot Cerama Cartridge Asm w/ Check Valve, Handle, Index & Screw
5	012394-25	Ceramic Cartridge, RTC w/ Check Valve
6	B-0969	Vacuum Breaker, 1/2"
7	002534-25	Close Nipple, 1/2" x 1 5/32" Lg Rough Chrome
8	012447-25	Cold Cerama Cartridge Asm w/ Check Valve, Handle, Index & Screw
9	000922-45	Lever Handle Screw
10	001660-45	Blue Index-CW
11	001638-45	Lever Handle
12	012395-25	Ceramic Cartridge, LTC w/ Check Valve
13	001019-45	Coupling Nut Washer
14	00AA	Coupling Flange Asm



Product Specifications:

Service Sink, Cerama Cartridges w/ Check Valves, Lever Handles & Polished Chrome

Drawn KJG	Checked DHL	Approved JHB
Scale: NTS		Date: 08/05/08