



T&S BRASS AND BRONZE WORKS, INC.

2 Saddleback Cove / P.O. Box 1088
Travelers Rest, SC 29690



REG. #A2601
ISO #9001

Model No.
B-3970

Item No.

Travelers Rest, SC: 800-476-4103 Simi Valley, CA: 800-423-0150 Fax: 864-834-3518 www.tsbrass.com

This Space for Architect/Engineer Approval

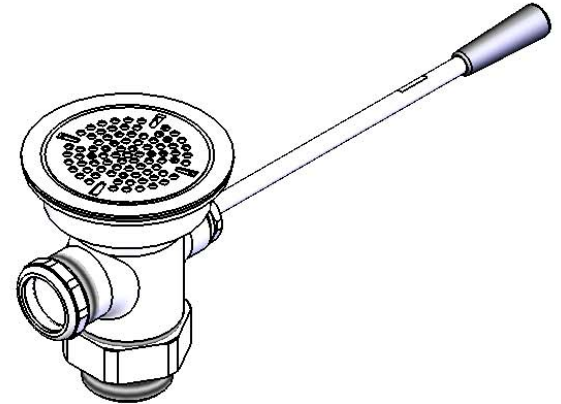
Job Name _____ Date _____

Model Specified _____ Quantity _____

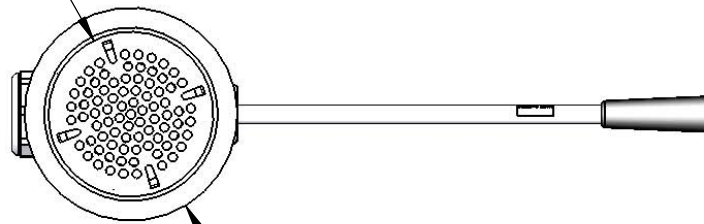
Customer/Wholesaler _____

Contractor _____

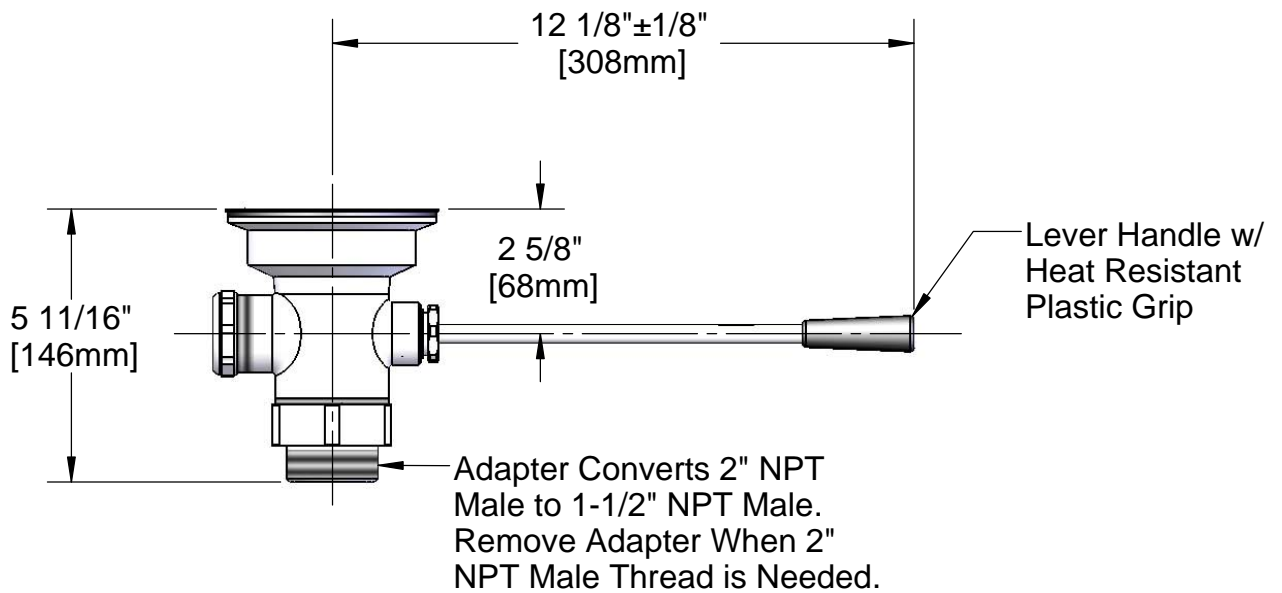
Architect/Engineer _____



Removable
Snap-in Strainer



$\phi 4 \frac{7}{16}''$
[113mm]



Product Specifications:

Waste Drain Valve w/ Lever Handle, 3 1/2" Sink
Opening, 2" NPT Male Outlet & 1-1/2" NPT Male Adapter

Drawn
GEF

Checked
KJG

Approved
JHB

Scale:

1:4

Date:

07/15/11



T&S BRASS AND BRONZE WORKS, INC.

2 Saddleback Cove / P.O. Box 1088
Travelers Rest, SC 29690



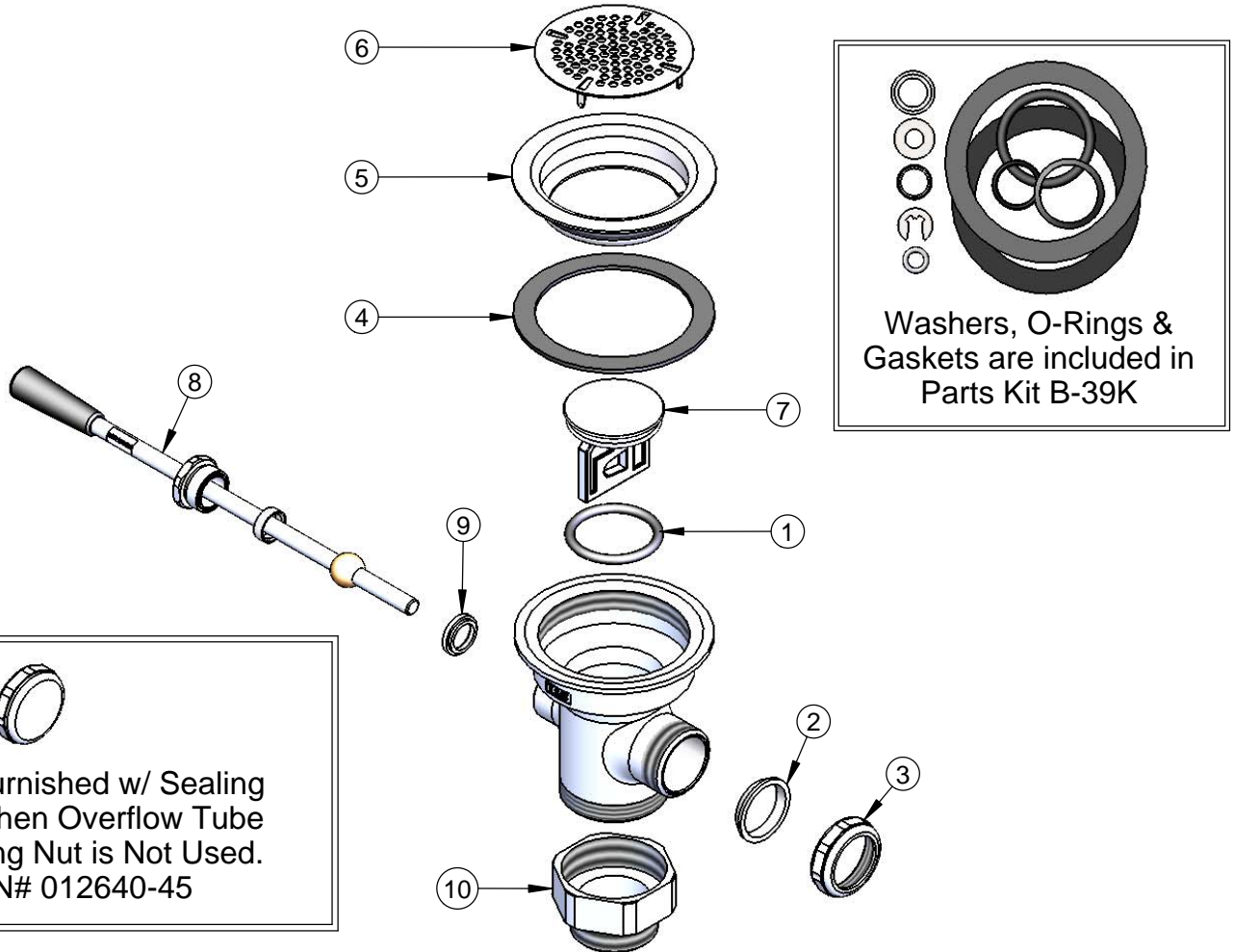
REG. #A2601
ISO #9001

Model No.
B-3970

Item No.

Travelers Rest, SC: 800-476-4103 Simi Valley, CA: 800-423-0150 Fax: 864-834-3518 www.tsbrass.com

ITEM NO.	SALES NO.	DESCRIPTION
1	010389-45	O-Ring, Plunger
2	010390-45	Ferrule, Coupling Nut
3	010391-45	Nut, Coupling For Twist Drain
4	010382-45	Gasket, 3 1/2" Face Flange
5	010384-45	Flange, 3 1/2" Face
6	010386-45	Strainer, 3 1/2" Snap-in Removable
7	010388-45	Plunger, Lever and Twist Drain
8	010394-45	Handle Asm, Waste Drain Valve Lever
9	010392-45	Bushing, Waste Drain Lever Handle
10	B-3945	Adapter, 2" NPT x 1 1/2" NPT



Product Specifications:

Waste Drain Valve w/ Lever Handle, 3 1/2" Sink
Opening, 2" NPT Male Outlet & 1-1/2" NPT Male Adapter

Drawn GEF	Checked KJG	Approved JHB
Scale: 1:4		Date: 07/15/11