



T&S BRASS AND BRONZE WORKS, INC.
 2 Saddleback Cove / P.O. Box 1088
 Travelers Rest, SC 29690

Model No.
AG-5 Series

Item No.

Travelers Rest, SC: 800-476-4103 • Simi Valley, CA: 800-423-0150 • Fax: 864-834-3518 • www.tsbrass.com

This Space for Architect/Engineer Approval

Job Name _____ Date _____

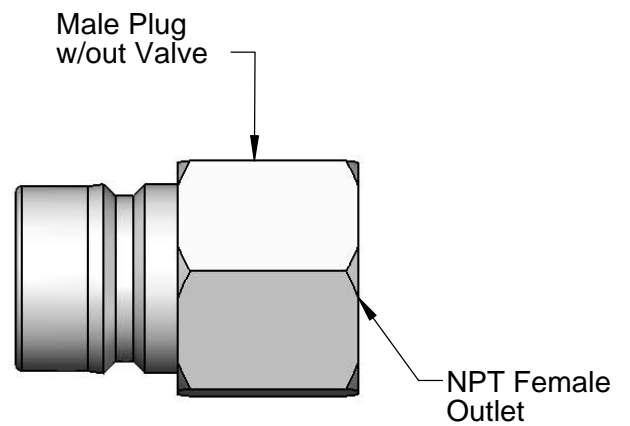
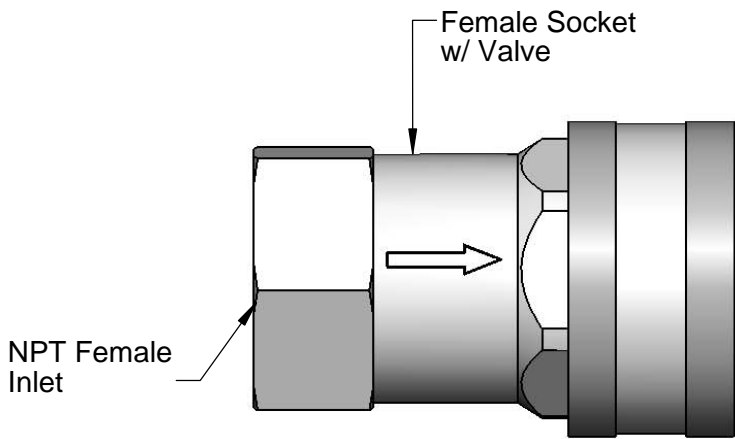
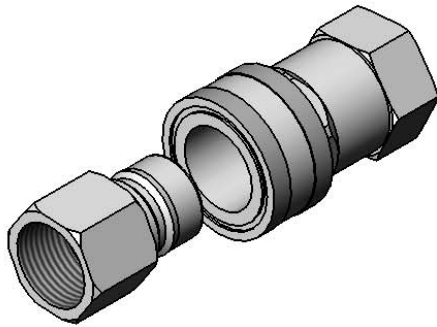
Model Specified _____ Quantity _____

Customer/Wholesaler _____

Contractor _____

Architect/Engineer _____

SAFE·T·LINK



| | | | |
|----------|----------|--------|------------|
| 1/2" NPT | 3/4" NPT | 1" NPT | 1 1/4" NPT |
| AG-5C | AG-5D | AG-5E | AG-5F |

AG-5 Series Product Configurator: AG - 5

Ex: AG - 5

2-Piece Quick Disconnect, 3/4" NPT

Product Specifications:
 Safe-T-Link Gas Appliance Connector:
 2-Piece Quick Disconnect, 1/2" NPT - 1 1/4" NPT

| | | |
|----------------------|------------------------|--------------------------|
| Drawn: DHL | Checked: DMH | Approved: JHB |
| Scale: NTS | | Date: 11/02/12 |