



T&S BRASS AND BRONZE WORKS, INC.

2 Saddleback Cove / P.O. Box 1088
Travelers Rest, SC 29690



REG. #A2601
ISO #9001

Model No.
B-0665-RGH

Item No.

Travelers Rest, SC: 800-476-4103 Simi Valley, CA: 800-423-0150 Fax: 864-834-3518 www.tsbrass.com

This Space for Architect/Engineer Approval

Job Name _____ Date _____

Model Specified _____ Quantity _____

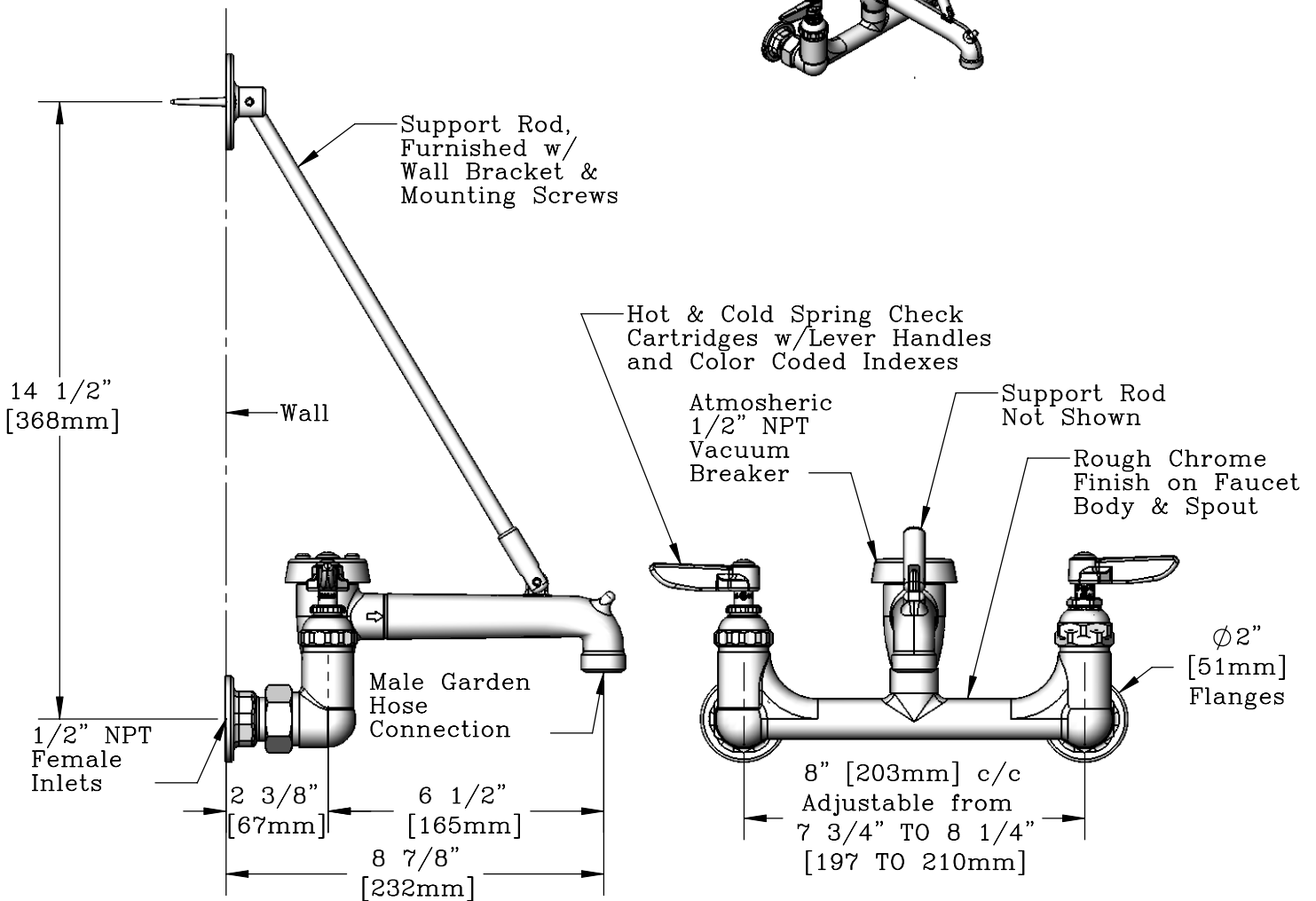
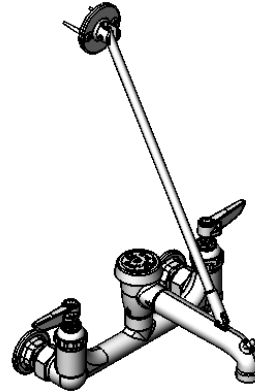
Customer/Wholesaler _____

Contractor _____

Architect/Engineer _____



ADA Compliant



Product Specifications:

Service Sink, Spring Check Cartridges, Lever Handles, Rough Chrome

Drawn
DHL

Checked
GEF

Approved
JHB

Scale:

1:4

Date:

10/28/2009



T&S BRASS AND BRONZE WORKS, INC.

2 Saddleback Cove / P.O. Box 1088
Travelers Rest, SC 29690



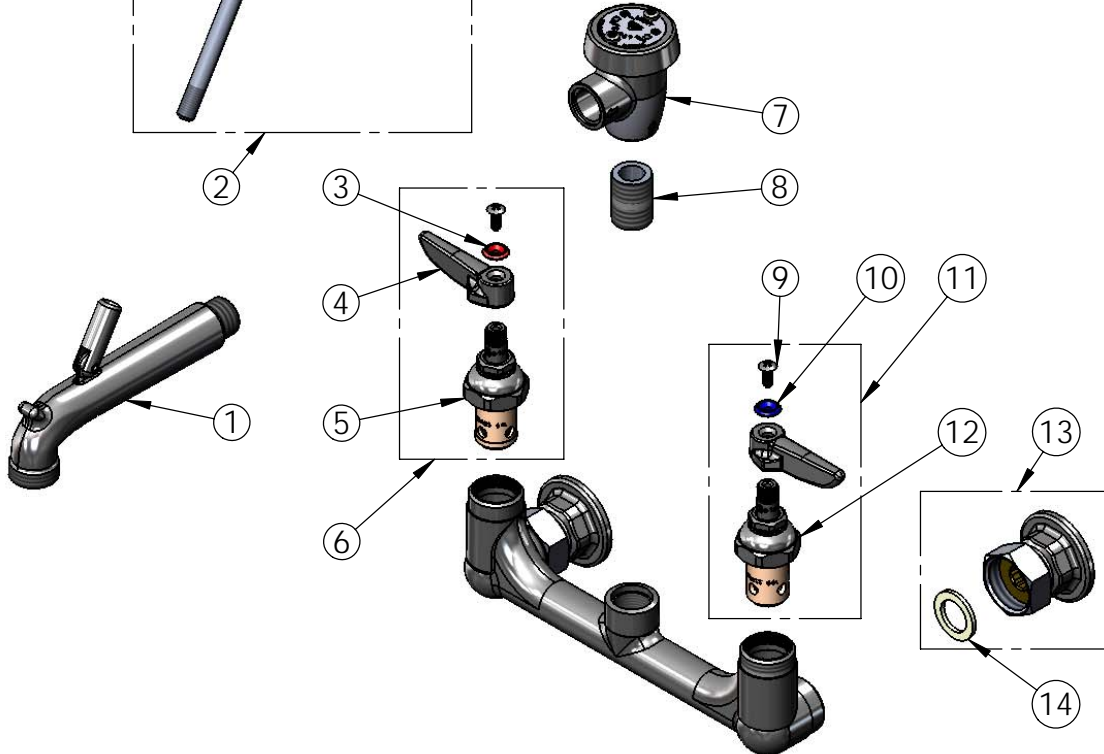
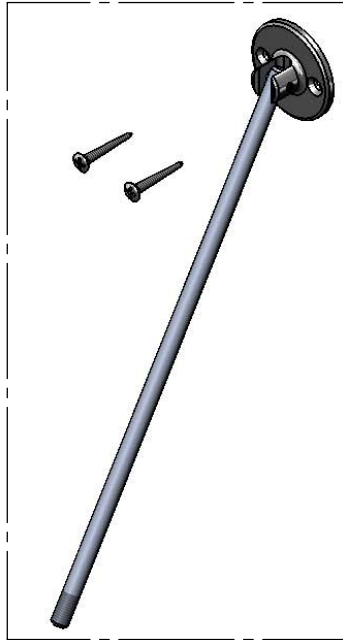
REG. #A2601
ISO #9001

Model No.
B-0665-RGH

Item No.

Travelers Rest, SC: 800-476-4103 Simi Valley, CA: 800-423-0150 Fax: 864-834-3518 www.tsbrass.com

ITEM NO.	SALES NO.	DESCRIPTION
1	009545-25	Spout Asm. w/ Clevis (Rough Chrome)
2	009546-40	Upper Support Rod Asm.
3	001661-45	Red Index-HW
4	001638-45	Lever Handle
5	012443-40	Hot Eterna Spindle Assembly w/ Spring Check
6	002712-40	Hot Eterna Spindle Asm, w/ Spring Check, Handle, Index & Screw
7	B-0969	Vacuum Breaker, 1/2"
8	002534-25	Close Nipple, 1/2" x 1 5/32" Lg Rough Chrome
9	000922-45	Lever Handle Screw
10	001660-45	Blue Index-CW
11	002711-40	Cold Eterna Spindle Asm, w/ Spring Check, Handle, Index & Screw
12	012442-40	Cold Eterna Spindle Assembly w/ Spring Check
13	00AA	1/2" NPT Inlet Flange
14	001019-45	Coupling Nut Washer



Product Specifications:

Service Sink, Spring Check Cartridges,
Lever Handles, Rough Chrome

Drawn DHL	Checked GEF	Approved JHB
Scale: 1:4		Date: 10/28/2009