

Helia™ Faucet

product specifications

Contemporary Series

Everpure Helia™ drinking water faucets deliver instant chilled and instant hot water at the tap. The perfect complement to an Everpure commercial grade water filtration system, the Helia™ drinking water faucets are exclusively designed to be used with the Helia™ Combination Instant Hot/Chilled Water Appliance and are equipped with a built-in safety feature with spring loaded shut off to prevent accidents. Constructed of solid stainless steel and available in two beautiful finishes, Polished Stainless and Brushed Stainless, they are lead-free and feature a ceramic disc type valve for smooth functionality and lasting durability.



For commercial grade water filtration

It's water filtration you can trust

The same commercial quality that makes Everpure the overwhelming choice for water filtration in restaurants is also available for your home. Everpure's exclusive precoat filtration technology combines Micro-Pure and a unique pleated filter membrane to reduce particles as small as 0.5 microns. This highly engineered design offers the largest filtering surface area, longer life and consistent performance.

the pure solution

Our products polish water to premium quality so that water is sparkling and free of unwanted tastes and odors. You'll taste the difference in every sip and everything made with water will taste better, too.

the convenient solution

Everpure systems are easily installed using common household tools. Our systems mount under your sink and are plumbed to a separate filter faucet. And cartridge replacement is easy, too — just like changing a light bulb.

Everpure Helia™ Drinking Water Faucets feature:

- > Contemporary, dual handle design
- > Solid Stainless Steel construction in two beautiful finishes
- > Spring loaded "hot" shut off valve safety feature
- > Insulated heat-resistant spout
- > 0.5 GPM flow
- > Lead-free
- > Ceramic disc type valve
- > Aerator tip provides even, clear stream of filtered water
- > RO compatible with the use of a separate air gap



Brushed Stainless Steel

Everpure Helia™ Drinking Water Faucets are engineered to be used with:

- Any Everpure Drinking Water Filtration systems or Reverse Osmosis system and
- Everpure Helia™ Combination Instant Hot/Chilled Water Appliance

Everpure
1040 Muirfield Drive
Hanover Park, IL 60133

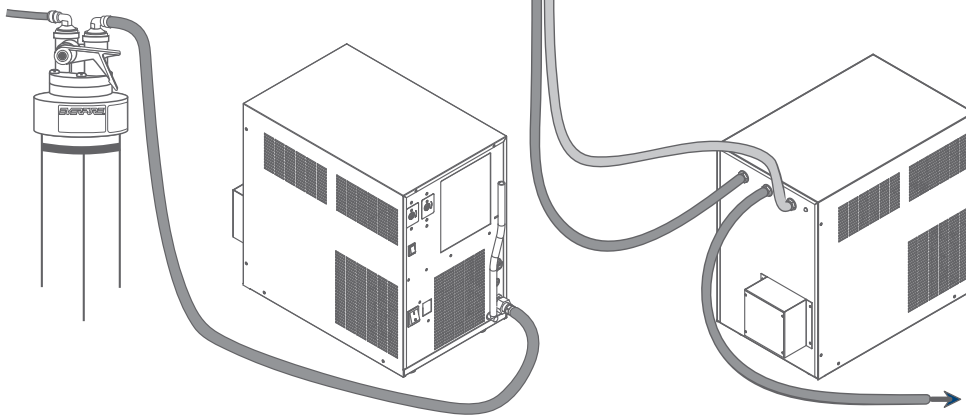
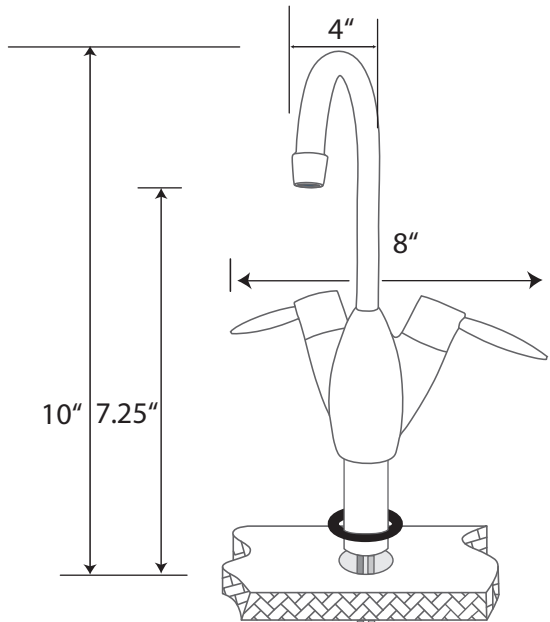
EVERPURE
WATER YOU CAN TRUST®

Helia™ Faucet

product specifications

Contemporary Series

Polished Stainless Steel Finish - Part No. EV9008-20
Brushed Stainless Steel Finish - Part No. EV9008-21



Everpure
Drinking Water System*

Everpure
Helia™ Front*

Everpure
Helia™ Back*

flow rate

0.5 gal./min. (1.9L/min.)

operating pressure

20 to 90 psi

temperature

50 to 212 °F (10 to 100 °C)

installation

1" or standard sink hole installation

everpure warranty

This faucet is warrant to be free and clear of defect and workmanship defect for 5 years. The coated finish is warranted for 3 years. After 3 years, depending on local water conditions and/or cleaning agents used, the coating may not be as bright as new. For general cleaning, use a soft damp cloth. The use of cleaning chemicals is not recommended.

Everpure, LLC

1040 Muirfield Drive

Hanover Park, IL 60133 USA

Phone: (630) 307-3000

Fax: (630) 307-3030

Customer Service: (800) 323-7873

Technical Service: (800) 942-1153

www.everpure.com

*All products sold separately

Everpure® is a registered trademark of Everpure, LLC ©2008

EVERPURE
WATER YOU CAN TRUST®