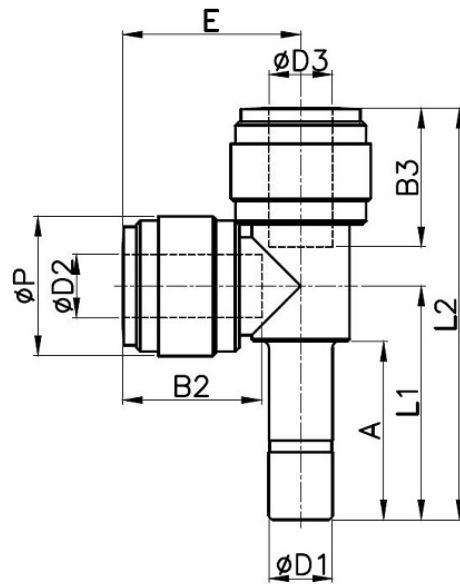


# Run Stem Tee

YOUR PLUMBING'S BEST CONNECTION

**neofit**

www.neologicsolutions.com



## Pressure Ratings

	< 5/16"	3/8"	1/2"
<b>33 °F</b>	290 psi	232 psi	203 psi
<b>68 °F</b>	290 psi	232 psi	203 psi
<b>150 °F</b>	232 psi	203 psi	116 psi

Model	ØD1	ØD2	ØP	L1	L2	E	A	B(TUBE DEEP)	WEIGHT(g)
ATRU444M	4	4	13.2	23.5	41.2	17.7	18	14.7	4.5
ATRU666M	6	6	15.0	27	47.1	21	21	16.1	5.9
ATRU888M	8	8	17.6	29.5	25	22.5	22.5	17.5	9.1
ATRU101010M	10	10	20.0	33.2	59.3	26.1	24.8	20.1	12.5
ATRU121212M	12	12	23.0	39.4	71.1	31.7	29.5	24.7	19.6