



**T&S BRASS AND BRONZE WORKS, INC.**  
 2 Saddleback Cove / P.O. Box 1088  
 Travelers Rest, SC 29690

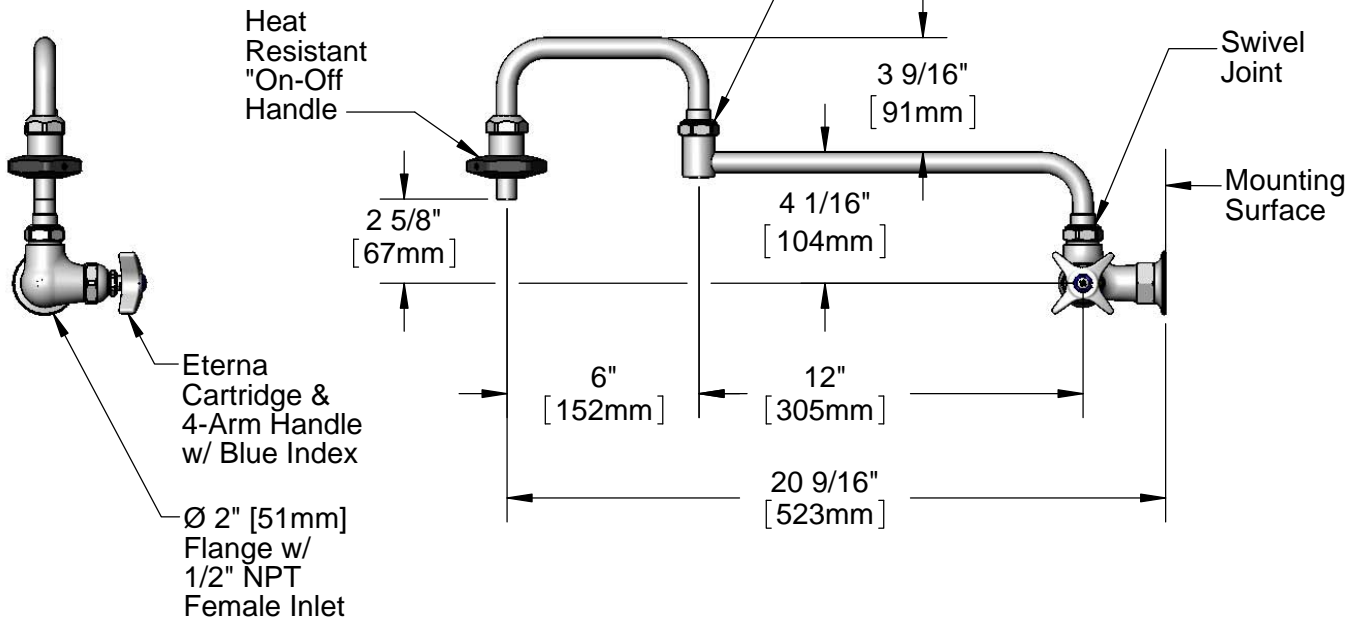
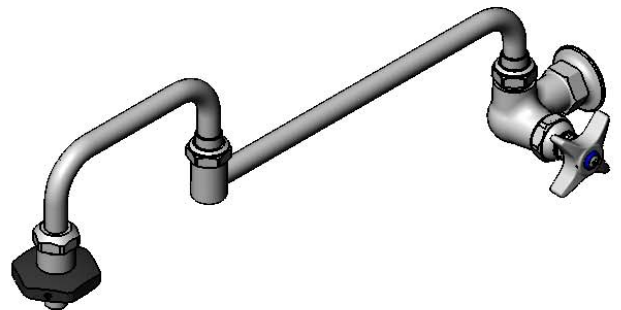
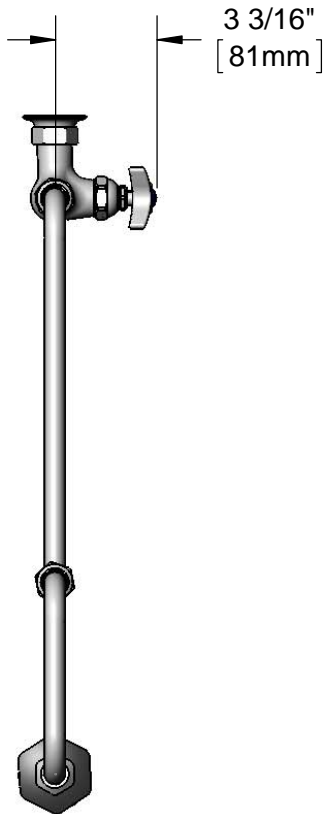
Model No.  
**B-0592**

Item No.

Travelers Rest, SC: 800-476-4103 • Simi Valley, CA: 800-423-0150 • Fax: 864-834-3518 • www.tsbrass.com

This Space for Architect/Engineer Approval

Job Name \_\_\_\_\_ Date \_\_\_\_\_  
 Model Specified \_\_\_\_\_ Quantity \_\_\_\_\_  
 Customer/Wholesaler \_\_\_\_\_  
 Contractor \_\_\_\_\_  
 Architect/Engineer \_\_\_\_\_



Product Specifications:  
 Pot Filler Wall Mount Faucet, Eterna Cartridge, Single Control w/  
 18" Double Joint Nozzle, Heat Resistant Handle &  
 1/2" NPT Female Inlet

Drawn <b>DHL</b>	Checked <b>DMH</b>	Approved <b>JHB</b>
Scale: <b>1:6</b>		Date: <b>02/11/13</b>



# T&S BRASS AND BRONZE WORKS, INC.

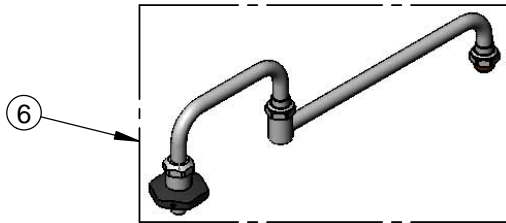
2 Saddleback Cove / P.O. Box 1088  
Travelers Rest, SC 29690

Model No.

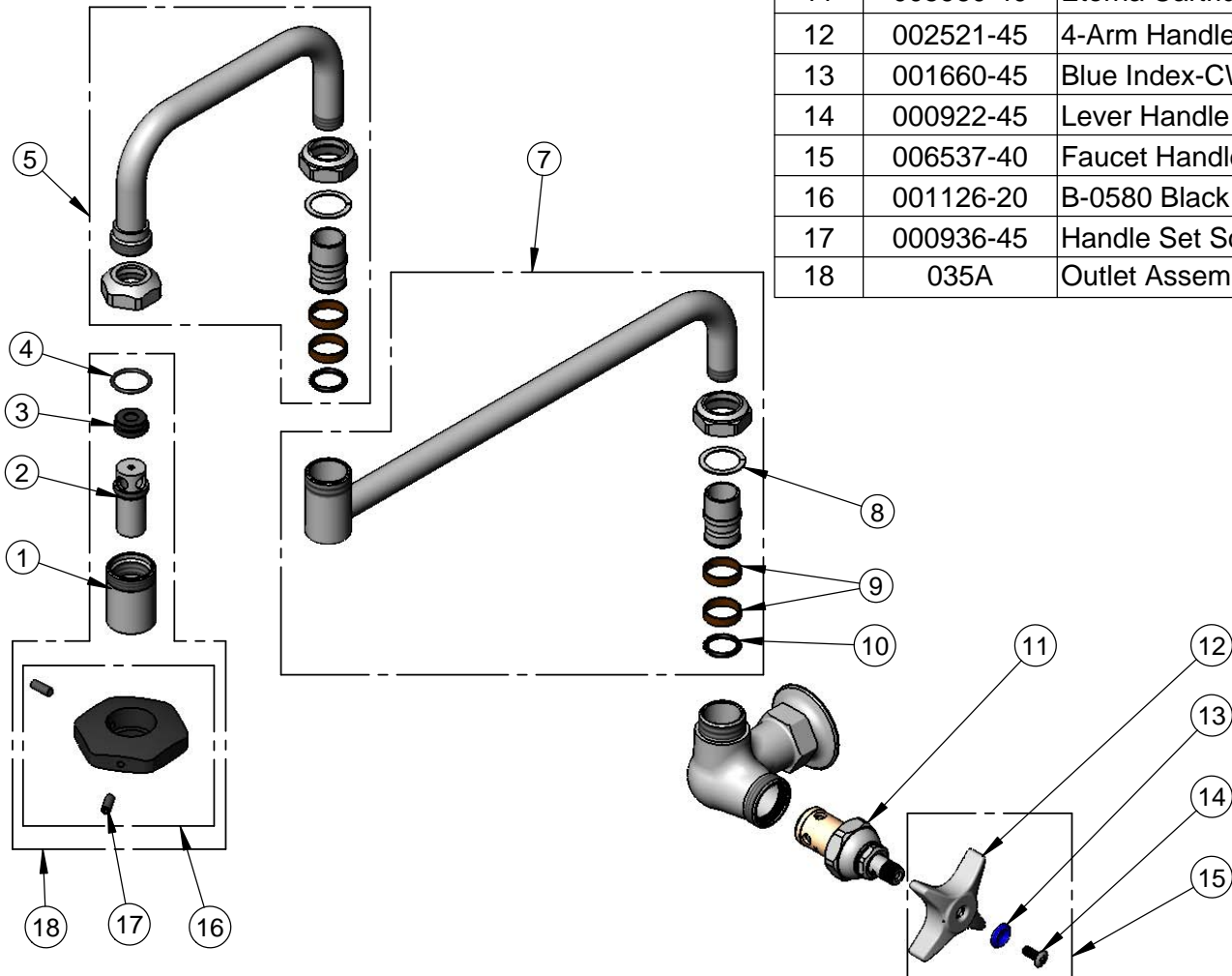
**B-0592**

Item No.

Travelers Rest, SC: 800-476-4103 • Simi Valley, CA: 800-423-0150 • Fax: 864-834-3518 • www.tsbrass.com



Additional View for Bill of Material Clarification w/o Faucet



ITEM NO.	SALES NO.	DESCRIPTION
1	000587-25	Spout Body
2	001498-25	Spout
3	001089-45	Seal
4	003426-45	O-Ring
5	002870-40	Double Joint Nozzle 6" Front Section
6	002848-40	18" Double Joint Nozzle
7	002871-40	Double Joint Nozzle 12" Back Section
8	009538-45	Swivel Washer
9	011429-45	Swivel Sleeves (2)
10	001074-45	O-Ring
11	005960-40	Eterna Cartridge, RTC
12	002521-45	4-Arm Handle
13	001660-45	Blue Index-CW
14	000922-45	Lever Handle Screw
15	006537-40	Faucet Handle, Index & Screw
16	001126-20	B-0580 Black Handle
17	000936-45	Handle Set Screw
18	035A	Outlet Assembly

**Product Specifications:**

Pot Filler Wall Mount Faucet, Eterna Cartridge, Single Control w/ 18" Double Joint Nozzle, Heat Resistant Handle & 1/2" NPT Female Inlet

Drawn

**DHL**

Checked

**DMH**

Approved

**JHB**

Scale:

**NTS**

Date:

**02/11/13**