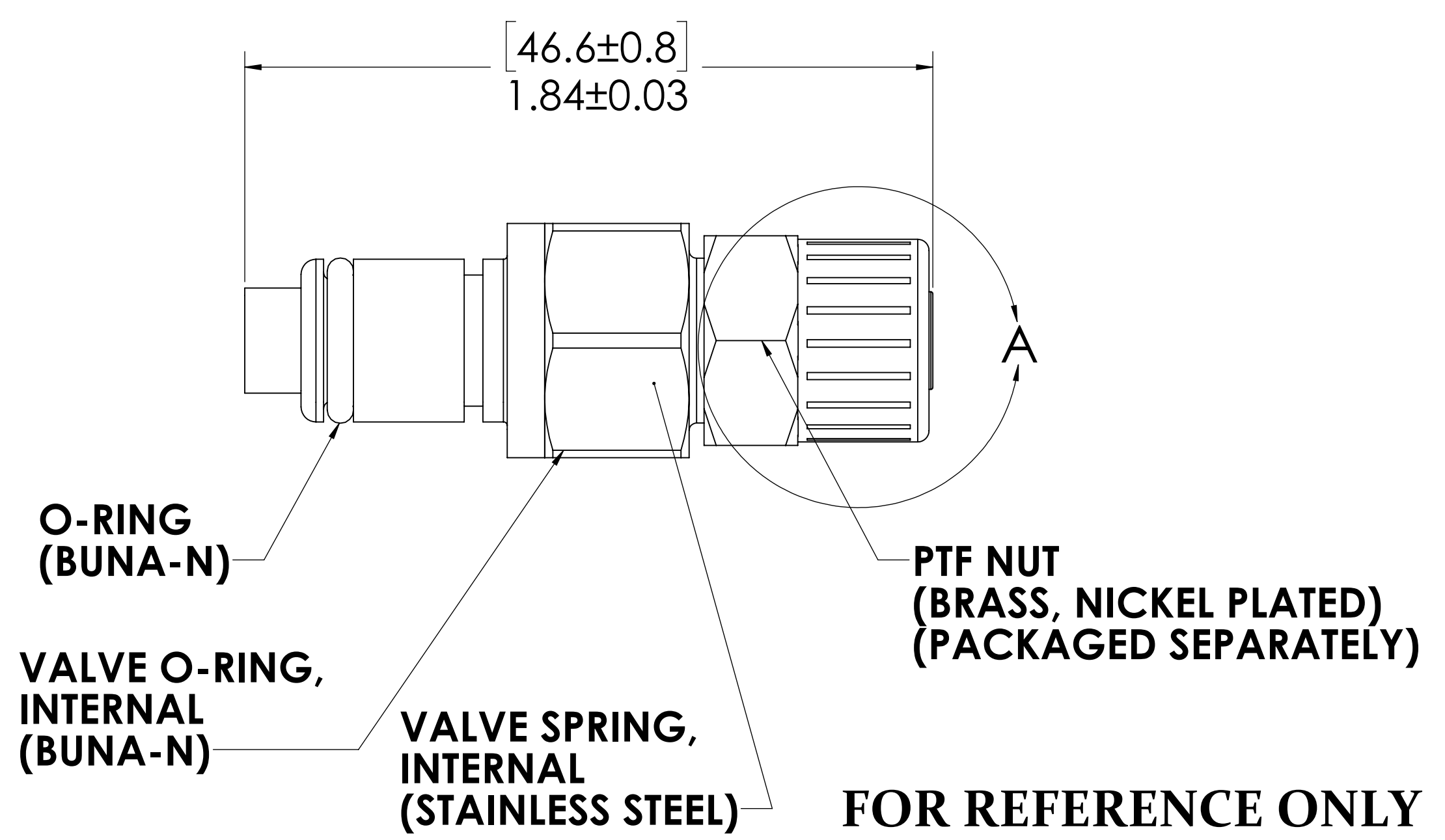
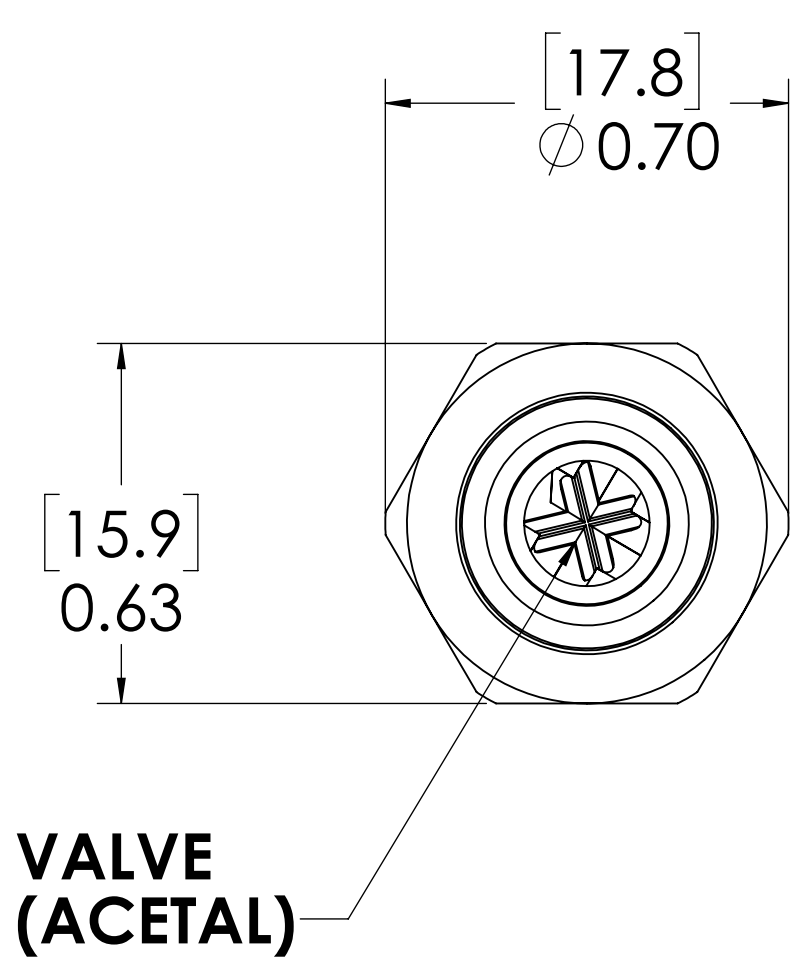
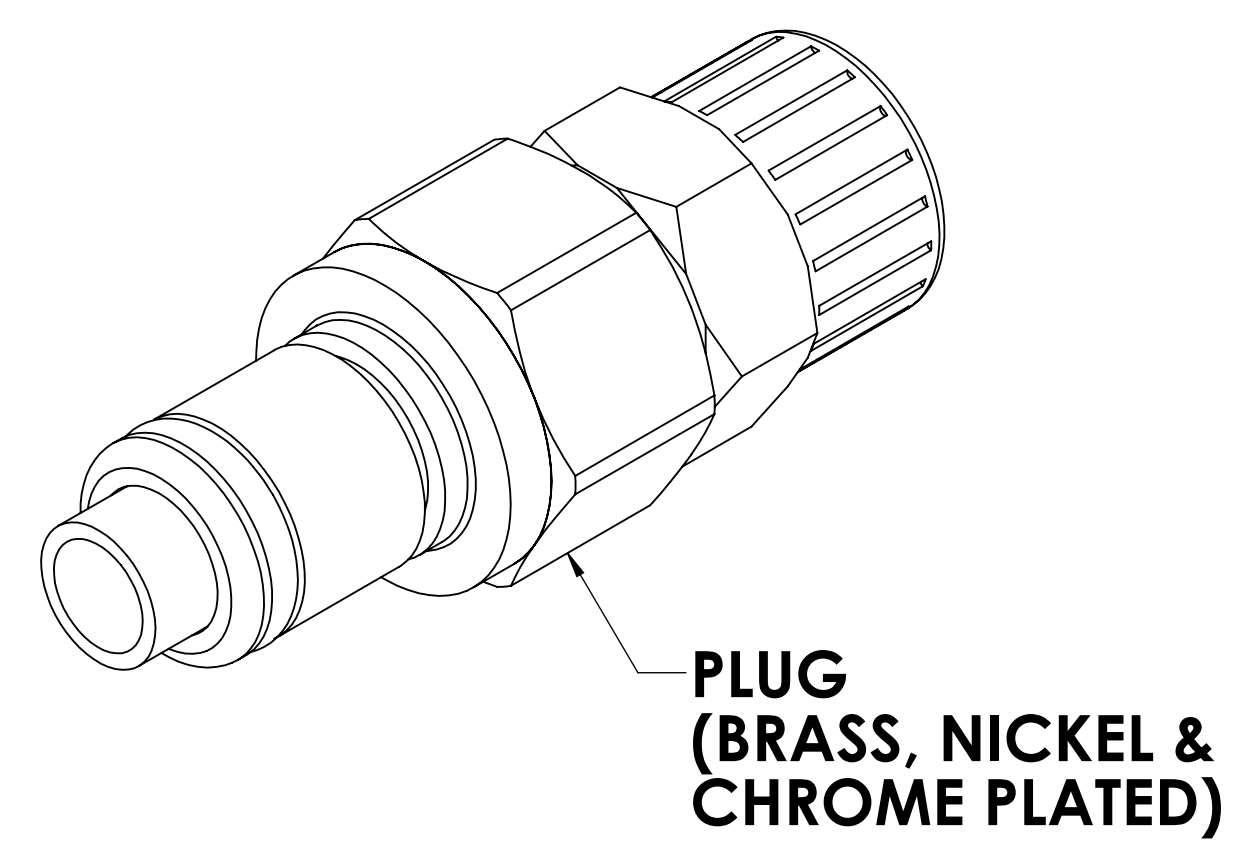
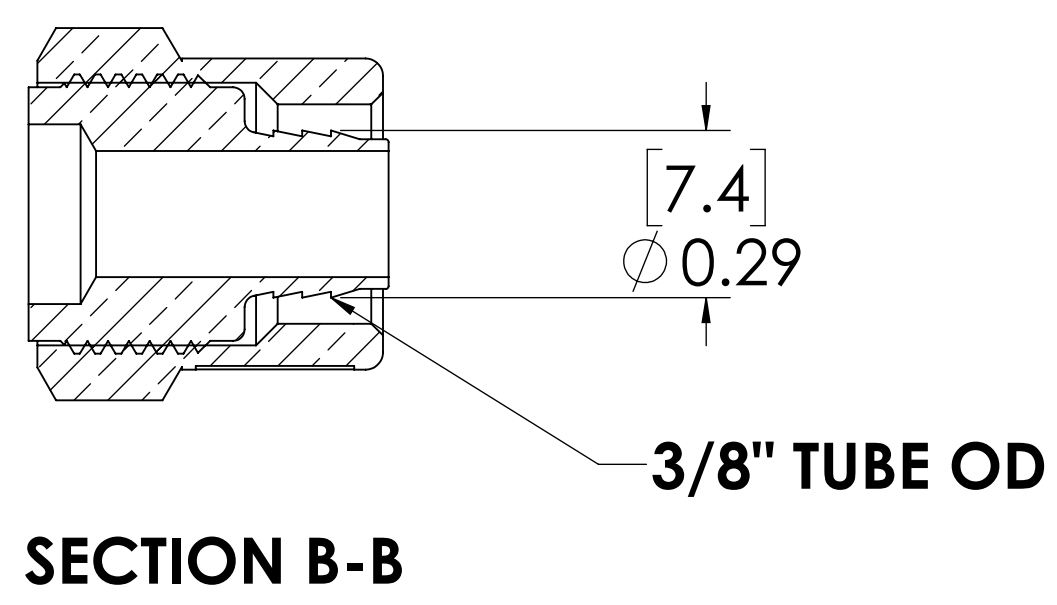
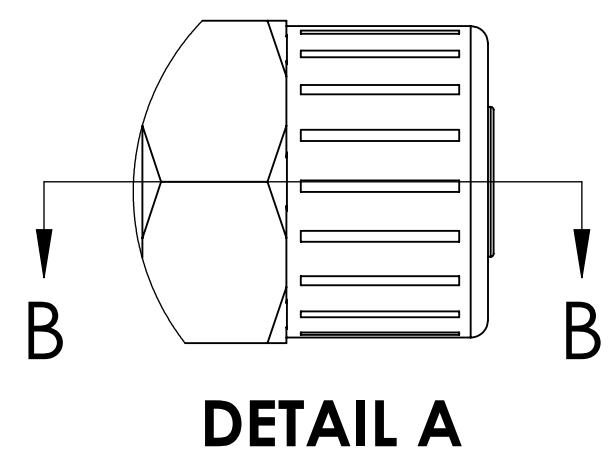


REVISIONS						
SHEET	ZONE	REV.	ECO	DESCRIPTION	DATE	APPROVED
1	ALL	A	50253	UPDATE DWG TO CURRENT FORMAT & STANDARDS	10/18/2018	HRC



- NOTES:**
- MATERIAL: BRASS
 - FINISH: CHROME
 - O-RING MATERIAL: BUNA-N
 - O-RINGS LUBRICATED WITH FOOD GRADE SILICONE OIL, 350 CST.

<small>UNLESS OTHERWISE SPECIFIED: DIMENSIONS ARE IN INCHES TOLERANCES: FRACTIONAL ±1/32 ANGULAR: MACH ±0.5 BEND ±2 ONE PLACE DECIMAL ±0.1 TWO PLACE DECIMAL ±0.01 THREE PLACE DECIMAL ±0.005 TWO PLACE DUAL (mm) [±0.12]</small>	DRAWN	LDM	1/31/18							
	CHECKED	HRC	1/31/18							
	ENG APPR.	HRC	10/18/18							
	MFG APPR.	BDB	10/18/18							
PRODUCTION	LS	10/18/18		PART NO: 40CBV-PB9-06 DESCRIPTION: LinkTech 40CB Series Straight Male, Valved, 3/8" PTF, Chrome Brass						
<small>PROPRIETARY AND CONFIDENTIAL THE INFORMATION CONTAINED IN THIS DRAWING IS THE SOLE PROPERTY OF LINKTECH LLC. ANY REPRODUCTION OR DISCLOSURE IN PART OR AS A WHOLE WITHOUT THE WRITTEN PERMISSION OF LINKTECH LLC IS STRICTLY PROHIBITED.</small>				<table border="1"> <tr> <td>SIZE</td> <td>DWG. NO.</td> <td>REV</td> </tr> <tr> <td>C</td> <td>40CB400063</td> <td>A</td> </tr> </table>	SIZE	DWG. NO.	REV	C	40CB400063	A
SIZE	DWG. NO.	REV								
C	40CB400063	A								
SCALE: NTS WEIGHT:			SHEET 1 OF 1							