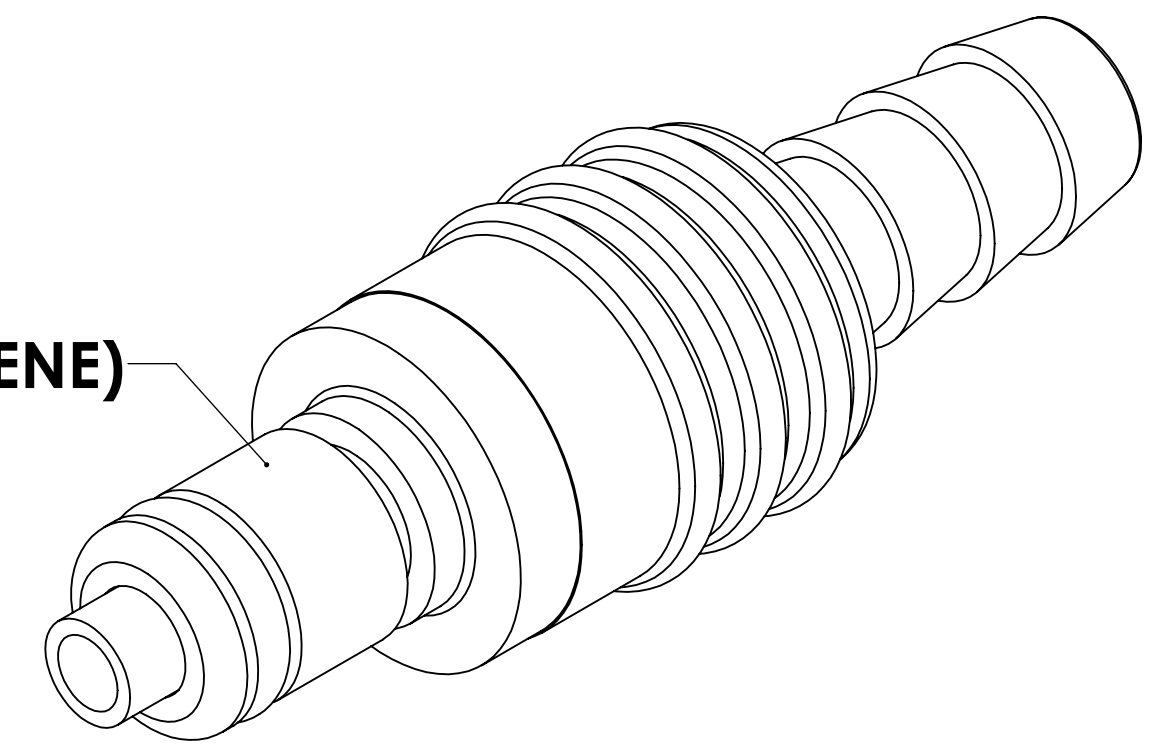
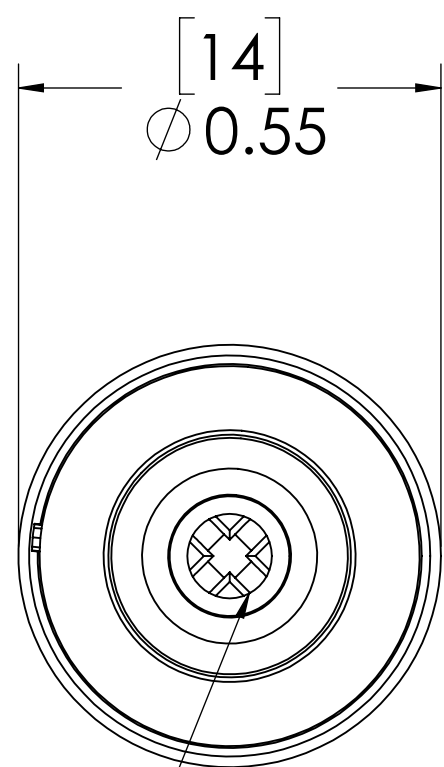


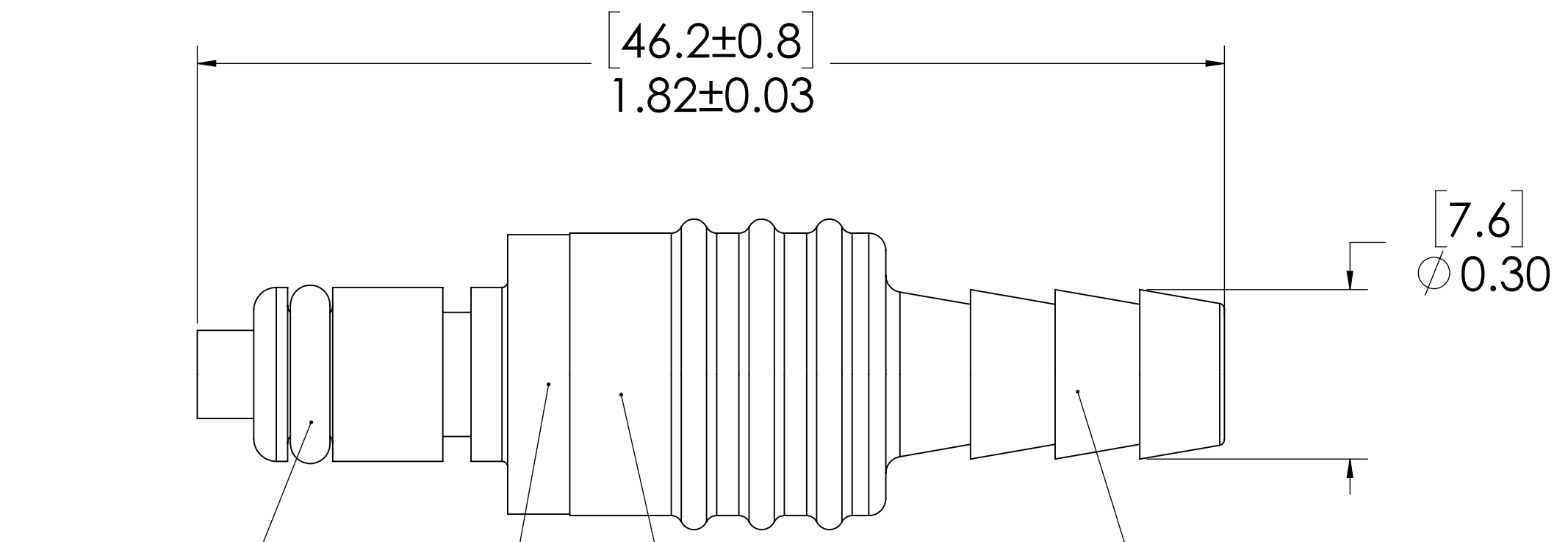
REVISIONS						
SHEET	ZONE	REV.	ECO	DESCRIPTION	DATE	APPROVED
1	ALL	A	50253	INITIAL RELEASE	1/5/11	HRC
1	ALL	B	50281	CONICAL SPRING UPDATE	9/21/2018	HRC



**PLUG
(POLYPROPYLENE)**



**VALVE
(POLYPROPYLENE)**



**O-RING
EXTERNAL
(EPDM)**

**VALVE O-RING
INTERNAL
(EPDM)**

**VALVE SPRING
INTERNAL
(STAINLESS STEEL)**

1/4" TUBE ID

- NOTES:**
- MATERIAL: POLYPROPYLENE
 - COLOR: GREY
 - O-RING MATERIAL: EPDM
 - O-RINGS LUBRICATED WITH FOOD GRADE SILICONE OIL, 350 CST.

FOR REFERENCE ONLY

<small>UNLESS OTHERWISE SPECIFIED: DIMENSIONS ARE IN INCHES TOLERANCES: FRACTIONAL ± 1/32 ANGULAR: MACH ± 0.5 BEND ± 2 ONE PLACE DECIMAL ± 0.1 TWO PLACE DECIMAL ± 0.01 THREE PLACE DECIMAL ± 0.005 TWO PLACE DUAL (mm) [± 0.12]</small>	DRAWN	LMP	6/4/2018							
	CHECKED	HRC	1/5/11							
	ENG APPR.	HRC	9/21/18							
	MFG APPR.	BDB	9/21/18							
PRODUCTION	LS	9/21/18		PART NO: 20PPV-PE2-04 DESCRIPTION: LinkTech 20PP Series Straight Male, Valved, 1/4" HB, Molded Grey Color, Polypropylene						
<small>PROPRIETARY AND CONFIDENTIAL THE INFORMATION CONTAINED IN THIS DRAWING IS THE SOLE PROPERTY OF LINKTECH LLC. ANY REPRODUCTION OR DISCLOSURE IN PART OR AS A WHOLE WITHOUT THE WRITTEN PERMISSION OF LINKTECH LLC IS STRICTLY PROHIBITED.</small>	COMMENTS:			<table border="1"> <tr> <td>SIZE</td> <td>DWG. NO.</td> <td>REV</td> </tr> <tr> <td>C</td> <td>20PP200097</td> <td>B</td> </tr> </table>	SIZE	DWG. NO.	REV	C	20PP200097	B
SIZE	DWG. NO.	REV								
C	20PP200097	B								
SCALE: NTS		WEIGHT:	SHEET 1 OF 1							