

EVERPURE® CLARIS SINGLE HEAD

FILTER HEAD WITH 3/8" BSP FITTINGS EXCLUSIVELY FOR CLARIS REPLACEMENT CARTRIDGES

Clariss Single Head: EV4339-21



APPLICATIONS

Coffee and espresso machines
Hot drink vending machines
Combi steamers and self-cooking systems

Steam cookers and ovens
Brewed iced tea

FEATURES • BENEFITS

Commercial quality filter head is designed exclusively to fit Claris filter cartridges

Solid durable construction is ideal for foodservice and vending applications

Engineered for durability, strength and longevity

Corrosion resistant hardware

HEAD FEATURES:

Built-in flush port

Auto shut-off

Adjustable bypass

Flow restrictor

Backflow restrictor

The system can be operated horizontally or vertically, depending on the space available

INSTALLATION TIPS

The system can be operated freestanding, lying horizontally or mounted vertically

If mounting vertically to a wall, securely connect the mounting bracket to the wall using suitable screws

Water pressure at the filter system inlet must not exceed 116 psi (8 bar). A pressure reducer valve must be installed on the water supply side of the filter system if the inlet pressure exceeds 116 psi (8 bar)

Shut off valve must be installed upstream of the filter

Refer to Installation, Operation & Maintenance Manual for cartridge flushing and start-up

OPERATION TIPS

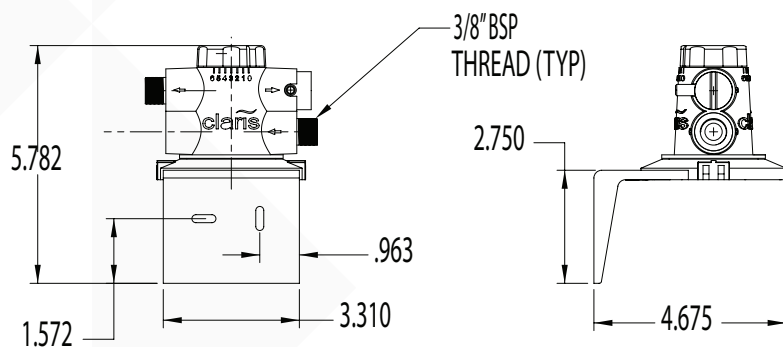
Change Claris cartridge when its pre-calculated water volume has been reached or at least once a year.

Change cartridges when capacity is reached.

Always flush the filter cartridge at time of installation and cartridge change.

Do not use hardness test strips to check for hardness reduction, please use Titration kit to check for hardness reduction.

EVERPURE® CLARIS SINGLE HEAD EV4339-21



SPECIFICATIONS

Overall Dimensions:

Height: 5.78" [14.7 cm]

Width: 3.31" [8.4 cm]

Depth: 4.68" [11.9 cm]

Electrical Connection:

None required

The contaminants or other substances removed or reduced by this drinking water system are not necessarily in your water. Do not use with water that is microbiologically unsafe or of unknown quality without adequate disinfection before or after the system. Systems certified for cyst reduction may be used with disinfected water that may contain filterable cysts.

Pentair reserves the right to modify specifications and pricing, or make substitutions without notice."

WARRANTY

Everpure Claris water treatment systems (excluding replaceable elements) are covered by a limited warranty against defects in material and workmanship for a period of one year after date of purchase. Everpure replaceable elements (filter cartridges and water treatment cartridges) are covered by a limited warranty against defects in material and workmanship for a period of one year after date of purchase. See printed warranty for details. Everpure will provide a copy of the warranty upon request.



WATER SOLUTIONS

EVERPURE-SHURFLO WORLD HEADQUARTERS, 1040 MUIRFIELD DRIVE, HANOVER PARK, IL 60133 USA • WWW.EVERPURE.COM
800.942.1153 MAIN (US ONLY) • 630.307.3000 MAIN • 630.307.3030 FAX • CSEVERPURE@PENTAIR.COM EMAIL

EVERPURE-SHURFLO AUSTRALIA / NEW ZEALAND, 1-21 MONASH DRIVE, DANDENONG SOUTH, VIC, 3175, AUSTRALIA
1300.576.190 TEL • AU.EVERPURE@PENTAIR.COM EMAIL

EVERPURE-SHURFLO CHINA, 21F CLOUD 9 PLAZA, NO 1118, SHANGHAI, 200052, CHINA
86.21.3211.4588 TEL • 86.21.3211.4580 FAX • CHINA.WATER@PENTAIR.COM EMAIL

EVERPURE-SHURFLO INDIA, GREEN BOULEVARD, B-9/A, 7TH FLOOR - TOWER B SECTOR 62, NOIDA - 201301
91.120.419.9444 TEL • 91.120.419.9400 FAX • INDIACUSTOMER@PENTAIR.COM EMAIL

EVERPURE-SHURFLO EUROPE, PENTAIR WATER BELGIUM BVBA, INDUSTRIEPARK WOLFSTEE, TOEKOMSTLAAN, 30 B-2200 HERENTALS, BELGIUM
+32.(0).14.283.500 TEL • +32.(0).14.283.505 FAX • SALES@EVERPURE-EUROPE.COM EMAIL

EVERPURE-SHURFLO JAPAN INC., HASHIMOTO MN BLDG. 7F, 3-25-1 HASHIMOTO, MIDORI-KU, SAGAMIHARA-SHI KANAGAWA 252-0143, JAPAN
81.(0)42.775.3011 TEL • 81.(0)42.775.3015 FAX • INFO@EVERPURE.CO.JP EMAIL

EVERPURE-SHURFLO SOUTHEAST ASIA, 390 HAVELOCK ROAD, #04-01, KING'S CENTRE, SINGAPORE 169662
65.6795.2213 TEL • FAX: 65.6795.2219 FAX • CSEVERPURE@PENTAIR.COM EMAIL

All Pentair trademarks and logos are owned by Pentair, Inc. All other brand or product names are trademarks or registered marks of their respective owners. Because we are continuously improving our products and services, Pentair reserves the right to change specifications without prior notice. Pentair is an equal opportunity employer.