

Instruction Sheet

VIQUA Controller Replacement

Section 1 Safety Information

Please read this entire instruction sheet before operating this equipment. Pay attention to all danger, warning, and caution statements in this instruction sheet. Failure to do so could result in serious personal injury or damage to the equipment.

Make sure that the protection provided by this equipment is not impaired. Do not use or install this equipment in any manner other than that specified in the instruction sheet.

1.1 Safety Precautions

⚠ DANGER



Failure to follow these instructions will result in serious injury or death.

Shock Hazard - Stored Energy



- Disconnect power to system before performing any maintenance or repair.
- There may be more than one source of power. Only connect to a GFCI.



- Protective ground



- DO NOT touch with wet hands.



Pressurized Device - Impalement Hazard



- NEVER perform any physical inspection, repair or maintenance on UV chamber unless UV chamber has been isolated and depressurized.



- NEVER service UV lamps, quartz sleeves or associated hardware until depressurization of UV chamber has been confirmed.



- DO NOT store any combustible or flammable material close to the system.

⚠ WARNING

Failure to follow these instructions could result in serious injury or death.

UV Light Hazard



- ALWAYS use UV protective gear, including gloves and UV safety glasses.
- NEVER look directly at illuminated UV lamp, even when using protective gear.
- NEVER illuminate UV lamp outside of the UV chamber.
- If accidental exposure occurs, immediately cool affected area and consult physician.



Contamination Hazard



- If UV lamp breaks, avoid inhalation, ingestion, or exposure to eyes and skin. Wear appropriate clothing and personal protective equipment.
- NEVER use a vacuum cleaner to clean up broken UV lamps as this will scatter the mercury. Obey local regulations and guidelines for the removal and disposal of mercury waste.



WARNING: This product can expose you to chemicals including Phthalates, which are known to the State of California to cause cancer and birth defects or other reproductive harm. For more information go to www.P65Warnings.ca.gov.

⚠ CAUTION

Failure to follow these instructions could result in minor or moderate injury.

Thermal Hazard



- Allow UV lamps, UV chamber to cool for a minimum of 10 (ten) minutes before handling.
- When there is no water flow, the water in the chamber will become hot. To prevent scalding, allow the system to cool for 10 minutes before draining the system.



Personal Injury Hazard



- UV lamps and quartz sleeves are fragile. Do not strike, bend or apply pressure, or they will break.
- DO NOT handle UV lamps or quartz sleeves with bare hands. Wear rubber or latex gloves to handle previously installed UV lamps and soiled quartz sleeves to protect against contaminants. Wear cotton gloves to handle new UV lamps and clean quartz sleeves.



Hg Exposure



- The UV lamp contains mercury. If the lamp breaks, then avoid inhalation or ingestion of the debris and avoid exposure to eyes and skin. Never use a vacuum cleaner to clean up a broken lamp as this may scatter the spilled mercury. Obey local regulations and guidelines for the removal and disposal of mercury waste.

NOTICE

System Protection



- To protect your Controller, a UL1449 certified (or equivalent) transient voltage surge suppressor is strongly recommended.

Avoid Injury

- Read and understand this Instruction Sheet before operating and performing any maintenance on this equipment.

Section 2 Maintenance

⚠ WARNING



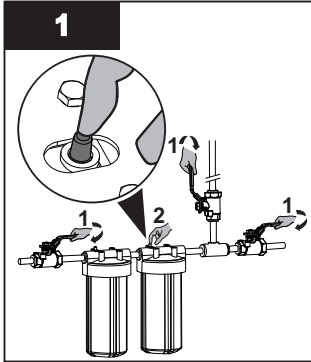
- Always disconnect power before performing any work on the disinfection system.
- Always shut-off water flow and release water pressure before servicing.
- Replace the UV lamp annually (or biennially if seasonal home use) to ensure maximum disinfection.
- Always drain the chamber when closing a seasonal home or leaving the unit in an area subject to freezing temperatures.

2.1 Replacing Controller

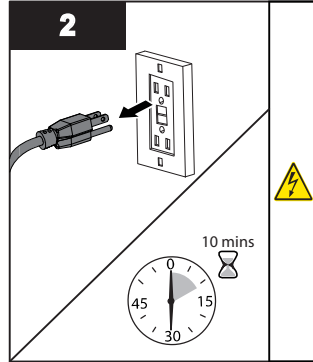
NOTICE

Do not use water during replacement of Controller.

Procedure:

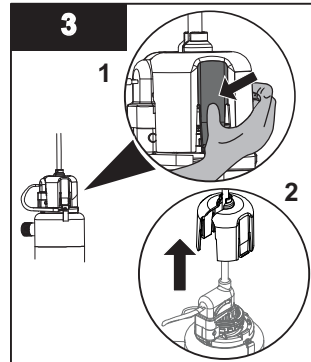


- Close all faucets and water inlets.
- Open a tap downstream of the UV unit to release pressure.

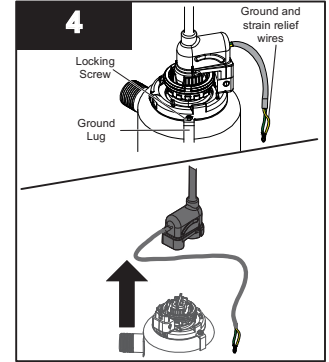


- Disconnect all power source and allow the unit to cool for 10 minutes.

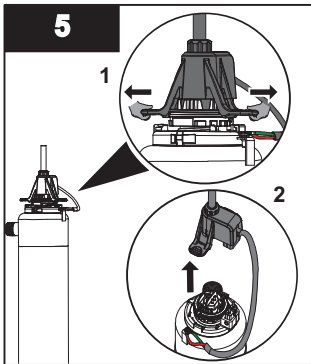
Note: For older style Lamp Harness follow steps 3 and 4. For new Lamp Harness follow steps 5 and 6.



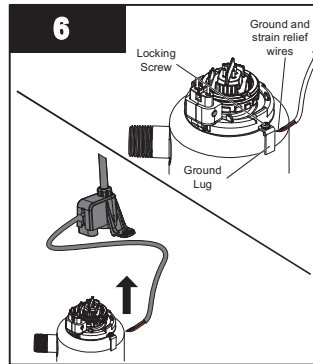
- Remove the safety cap by squeezing the tab.



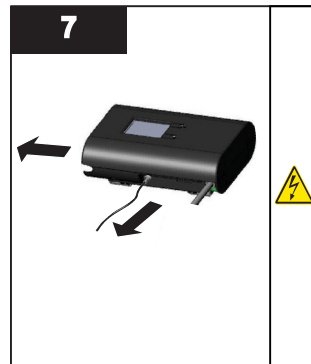
- Unscrew locking screw and remove ground and strain relief wires.
- Remove lamp plug.



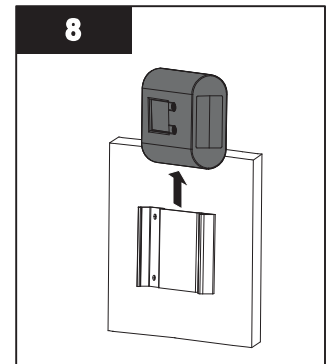
- Remove the lamp connector by pulling the tabs out and then upwards.



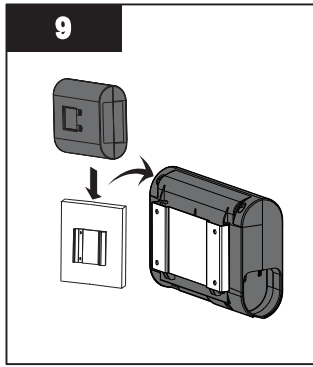
- Unscrew locking screw and remove ground and strain relief wires.
- Remove lamp plug.



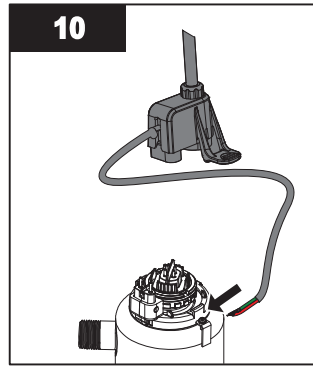
- Unplug power cord and sensor (if equipped).



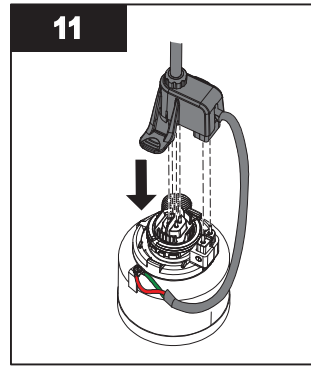
- Remove old controller from the mounting bracket from wall.



- Slide the new controller downwards onto the mounting bracket.

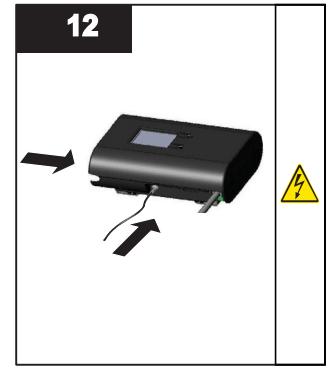


- Connect the green ground wire and red strain relief wire to the chamber using the grounding screw.

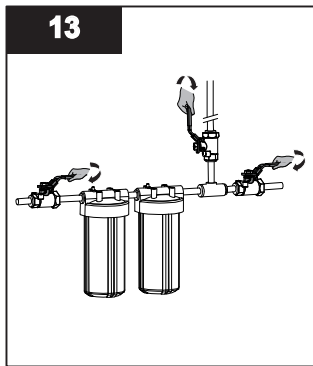


- Align connection pins with the lamp connector by rotating the ring clamp.
- Push the lamp connector down onto the lamp pins and the ring clamp pins until an audible click is heard.

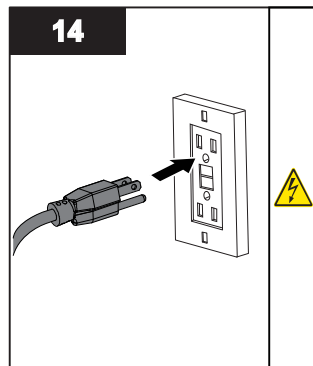
Note: Ensure the connector is engaged on both sides.



- Plug in power cord and sensor cable (if equipped).



- Turn on all faucets and water inlets.



- Plug in controller and all peripheral devices such as junction boxes and remote alarms.
- The display will indicate when the lamp warm up period is over and goes to normal mode. This typically will take 2 minutes.

2.2 Model Selection For Replacement Controllers ONLY

Determine the part number of your System below and find the associated MODEL for that system. When power is applied the new Controller will show the MODEL SELECTION Screen for 15 seconds. During this time press the Scroll button until the Model that represents your system is highlighted in RED. Press the Select button to select the model. This ensures the associated replacement parts for your system are displayed on the Product Information Screen.

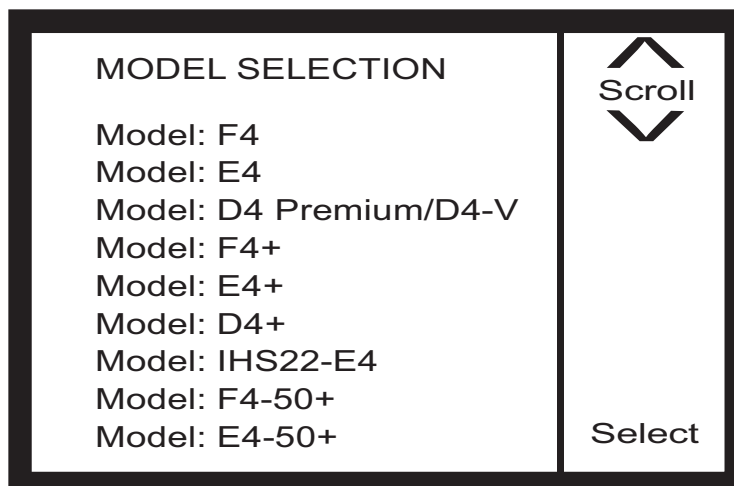


Figure 1 Model Selection

| Part Number | Description | Model |
|-------------|--|-----------------|
| 650695-R | SYS, D4+ HOME 120V | D4+ |
| 650697-R | SYS, D4+ HOME 230V | D4+ |
| 660042-R | SYS, D4-V+ NSF Class B 120VAC | D4+ |
| 660039-R | SYS, D4-V NSF Class B 120VAC | D4 Premium/D4-V |
| 660089-R | SYS, D4 PREMIUM 120V | D4 Premium/D4-V |
| 660090-R | SYS, D4 PREMIUM 230V | D4 Premium/D4-V |
| 650682 | SYS, E4 PROFESSIONAL 120VAC | E4 |
| 650718 | SYS, E4 PROFESSIONAL 230VAC | E4 |
| 660040-R | SYS, E4-V NSF Class B 120VAC | E4 |
| 650683 | SYS, E4+ PROFESSIONAL 120VAC | E4+ |
| 650719 | SYS, E4+ PROFESSIONAL 230VAC | E4+ |
| 660043-R | SYS, E4-V+ NSF Class B 120VAC | E4+ |
| 650638-R | SYS, E4+ PROFESSIONAL+ 50%UVT 120V | E4-50+ |
| 650639-R | SYS, E4+ PROFESSIONAL+ 50%UVT 240V | E4-50+ |
| IHS22-E4 | SYS, E4 PROFESSIONAL 2SUMP 120VAC | IHS22-E4 |
| IHS22-E4/2 | SYS, E4 PROFESSIONAL 2SUMP 230V CEE7/7 | IHS22-E4 |
| IHS22-E4/2A | SYS, E4 PROFESSIONAL 2SUMP 230V AS3112 | IHS22-E4 |
| IHS22-E4/2B | SYS, E4 PROFESSIONAL 2SUMP 230V BS1363 | IHS22-E4 |
| 650686 | SYS, F4 PROFESSIONAL 120VAC | F4 |
| 650686 | SYS, F4 PROFESSIONAL 230VAC | F4 |
| 660041-R | SYS, F4-V NSF Class B 120VAC | F4 |
| 650687 | SYS, F4+ PROFESSIONAL 120VAC | F4+ |
| 650721 | SYS, F4+ PROFESSIONAL 230VAC | F4+ |
| 660044-R | SYS, F4-V+ NSF Class B 120VAC | F4+ |
| 650640-R | SYS, F4+ PROFESSIONAL 50%UVT 120V | F4-50+ |
| 650641-R | SYS, F4+ PROFESSIONAL 50%UVT 240V | F4-50+ |



425 Clair Rd. W, Guelph, Ontario, Canada N1L 1R1
t. (+1) 519.763.1032 • tf. (+1) 800.265.7246 (US and Canada only)
t. (+31) 73 747 0144 (Europe only) • f. (+1) 519.763.5069
e-mail: info@viqua.com
www.viqua.com