

SPECIFICATIONS:

MODEL NUMBER: 8005-992-890

PUMP DESIGN: Positive Displacement 3 Chamber Diaphragm Pump

CAM: 2.5 Degree

MOTOR: Permanent Magnet, 11-236-01

VOLTAGE: 24 VAC

PRESSURE SWITCH: None/ Bypass

LIQUID TEMPERATURE: 170 Degrees Fahrenheit (82 Degrees Centigrade) Max

PRIME: Self Priming up to 7.0 Ft Vertical

PORTS: 3/8" -18 NPT Female

MATERIAL OF CONSTRUCTION:

PLASTICS- Nylon

VALVES- EPDM

DIAPHRAGM- Santoprene

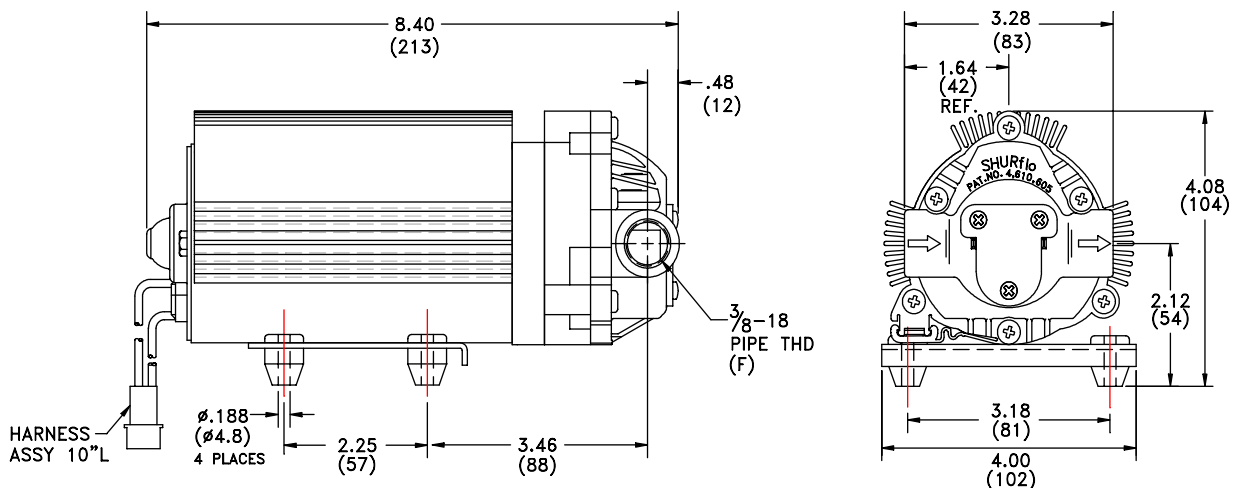
FASTENERS- Stainless Steel

NET WEIGHT: 4.1 Lbs (1.86 Kg)

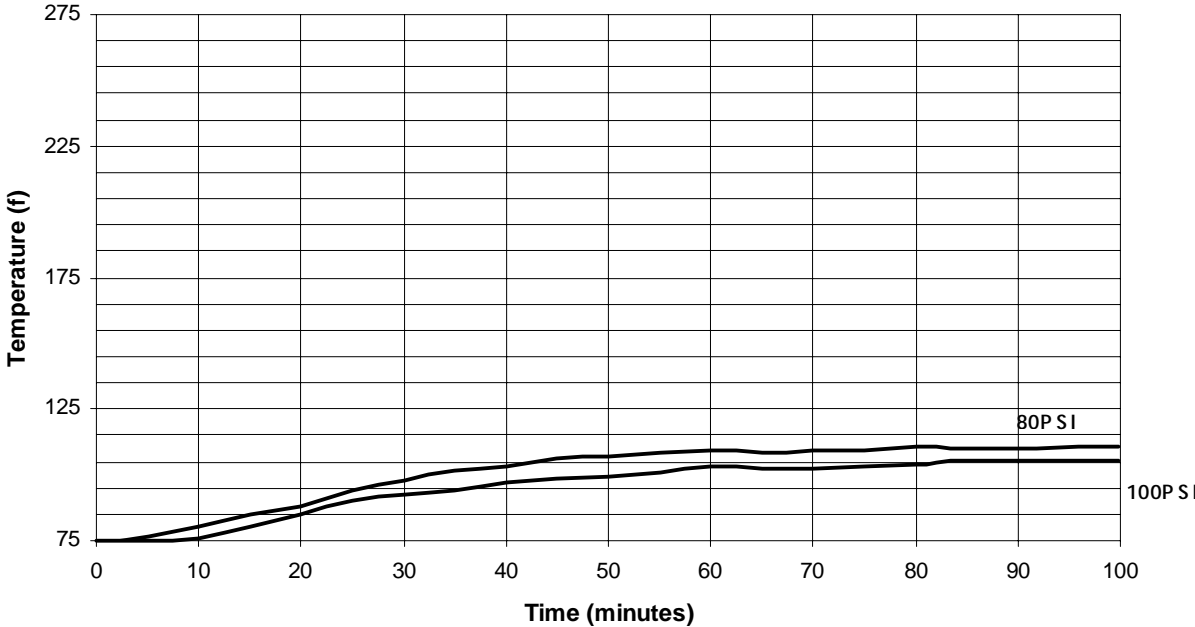
DUTY CYCLE: (See Temperature Rise Chart)

BYPASS: 125 PSI

DIMENSIONS:



Temperature Rise



TYPICAL PERFORMANCE

PRESSURE (PSI)	FLOW (GPM/LIT)	RPM MIN/MAX	CURRENT (AMPS)	VOLTAGE (VOLTS)
10	0.64	1095/1118	0.55	24VAC
20	0.59	1035/1064	0.69	
30	0.55	978/1007	0.83	
40	0.51	970/970	0.95	
50	0.50	908/921	1.07	
60	0.47	870/901	1.18	
70	0.44	853/867	1.30	
80	0.41	822/843	1.40	
90	0.39	805/822	1.46	
100	0.35	764/805	1.62	
110	0.33	751/787	1.67	
120	0.22	739/782	1.68	

*-SPECIFICATIONS SUBJECT TO CHANGE WITHOUT NOTICE.
 -ALL DATA BASED ON TESTING WITH WATER AT AMBIENT TEMPERATURE.*